



		<b>Pg.</b>
<b>EN</b>	<b>USE AND MAINTENANCE MANUAL - RESTRAINT BELT</b> Notice The information in this manual is subject to change without notice. Images are included as examples and may vary slightly from the actual device. Spencer Italia S.r.l. assumes no responsibility for any errors contained herein or for any damages, accidents or consequential damages related to the supply, performance or use of this manual	<b>1</b>
<b>IT</b>	<b>MANUALE D'USO E MANUTENZIONE – CINTURE DI TRATTENUTA</b> Avviso Le informazioni contenute nel presente manuale possono essere soggette a modifica senza preavviso. Le immagini sono inserite a titolo di esempio e possono variare leggermente da quelle vere e proprie del dispositivo. Spencer Italia S.r.l. non si assume alcuna responsabilità per gli eventuali errori qui contenuti e per danni, incidenti o conseguenti correlati alla fornitura, alle prestazioni o all'uso del presente manuale.	<b>13</b>
<b>DE</b>	<b>Betriebs- und Wartungshandbuch – HALTEGURTE</b> Hinweis Die in diesem Handbuch enthaltenen Informationen können ohne vorherige Ankündigung geändert werden. Die Bilder sind Beispiele und können geringfügig von den eigentlichen Bildern des Geräts abweichen. Spencer Italia S.r.l. haftet nicht für etwaige Fehler und Schäden, Unfälle oder Folgeerscheinungen im Zusammenhang mit der Bereitstellung, den Leistungen oder der Verwendung dieses Handbuchs	<b>24</b>
<b>FR</b>	<b>Manuel d'utilisation et d'entretien - CEINTURES DE SÉCURITÉ</b> Avertissement Les informations contenues dans le présent manuel peuvent être sujettes à des modifications sans préavis. Les images sont insérées à titre d'exemple et peuvent varier légèrement de celles réelles du dispositif. Spencer Italia S.r.l. rejette toute responsabilité pour les éventuelles erreurs contenues dans ce manuel et pour les dommages, les incidents ou les conséquences liées à la fourniture, aux prestations ou à l'utilisation du présent manuel	<b>35</b>
<b>ES</b>	<b>Manual de uso y mantenimiento - CINTURÓN DE SUJECIÓN</b> Aviso La información contenida en este manual puede estar sujeta a modificaciones sin previo aviso. Las imágenes son meramente ejemplificativas y pueden ser ligeramente diferentes de las presentes en el dispositivo. Spencer Italia S.r.l. no se asume responsabilidades por errores contenidos en el manual y por daños, accidentes o consecuencias relacionadas con el suministro, las prestaciones o el uso de este manual.	<b>46</b>
<b>PT</b>	<b>Manual de Uso e Manutenção - CINTOS DE RETENÇÃO</b> Aviso As informações aqui contidas estão sujeitas a alteração sem aviso prévio. As imagens são inseridas a título exemplificativo e podem variar ligeiramente em relação ao dispositivo em si. A Spencer Italia S.r.l. declina qualquer responsabilidade por eventuais erros contidos neste Manual e por eventuais danos, acidentes ou consequências associados ao fornecimento, desempenho ou utilização deste Manual.	<b>57</b>
<b>CS</b>	<b>Návod k použití a údržbě - FIXAČNÍ POPRUHY</b> Upozornění Informace uvedené v tomto návodu mohou být měněny bez předchozího upozornění. Obrázky v návodu jsou pouze indikativní a mohou se mírně lišit od zakoupeného prostředku. Společnost Spencer Italia S.r.l. odmítá veškerou odpovědnost za případné chyby v obsahu a za škody či nehody vzniklé v souvislosti s dodávkou, výkonem či použitím tohoto návodu	<b>68</b>
<b>EL</b>	<b>Εγχειρίδιο χρήσης και συντήρησης - ΖΩΝΕΣ ΑΚΙΝΗΤΟΠΟΙΗΣΗΣ</b> Ειδοποίηση Οι πληροφορίες που περιέχονται στο παρόν εγχειρίδιο μπορούν να υποστούν τροποποίηση χωρίς πρότερη γνωστοποίηση. Οι εικόνες είναι ενδεικτικές και ενδέχεται να διαφέρουν ελαφρώς από τις κανονικές που φέρει το βοήθημα. Η εταιρεία Spencer Italia S.r.l. δεν φέρει καμία ευθύνη για τυχόν λάθη που περιέχονται στο παρόν και για βλάβες, ατυχήματα που σχετίζονται με την προμήθεια, απόδοση ή τη χρήση του παρόντος εγχειριδίου.	<b>79</b>
<b>RO</b>	<b>Manual de utilizare și întreținere - CENTURI PENTRU IMOBILIZARE</b> Avertisment Informațiile din prezentul manual pot fi supuse modificării fără notificare prealabilă. Imaginile sunt prezentate cu titlu de exemplu și pot diferi într-o oarecare măsură față de dispozitivul real. Spencer Italia S.r.l. nu își asumă nicio răspundere pentru eventualele erori conținute în prezentul document și pentru daunele, accidentele sau consecințele ce decurg din furnizarea, performanțele sau utilizarea prezentului manual.	<b>91</b>



SPENCER ITALIA SRL – Via Provinciale n° 12 – 43038 Sala Baganza (PR) - Italy

CC15283  
Rev.0 09/11/2020

# CONTENTS

---

<b>1. MODELS</b>	<b>3</b>
<b>2. INTENDED USE</b>	<b>3</b>
2.1    INTENDED USE AND CLINICAL BENEFITS	3
2.2    TARGET PATIENTS	3
2.3    PATIENT SELECTION CRITERIA	3
2.4    CONTRAINDICATIONS AND UNWANTED SIDE EFFECTS	3
2.5    USERS AND INSTALLERS	3
2.5.1    USER TRAINING	3
2.5.2    INSTALLER TRAINING	3
<b>3. REFERENCE STANDARDS</b>	<b>3</b>
<b>4. INTRODUCTION</b>	<b>4</b>
4.1    USING THE MANUAL	4
4.2    DEVICE LABELLING AND TRACEABILITY	4
4.3    SYMBOLS	4
4.4    WARRANTY AND SERVICE	4
<b>5. WARNINGS/DANGERS</b>	<b>5</b>
<b>6. SPECIFIC WARNINGS</b>	<b>6</b>
<b>7. RESIDUAL RISK</b>	<b>6</b>
<b>8. TECHNICAL DATA AND COMPONENTS</b>	<b>6</b>
<b>9. COMMISSIONING</b>	<b>8</b>
<b>10. OPERATING CHARACTERISTICS</b>	<b>9</b>
<b>11. PROPER USE</b>	<b>9</b>
11.1    ADJUSTING LENGTH	9
11.2    BELT COUPLING AND RELEASE	9
11.3    1-PIECE BELT USE	9
11.4    2-PIECE BELT USE	10
11.5    SPRING CATCH BELT USE	10
11.6    DNA STRAP INSTALLATION	10
<b>12. CLEANING AND MAINTENANCE</b>	<b>10</b>
12.1    CLEANING	11
12.2    ROUTINE MAINTENANCE	11
12.3    PERIODIC OVERHAUL	11
12.4    SPECIAL MAINTENANCE	11
12.5    LIFE SPAN	11
<b>13. TROUBLESHOOTING TABLE</b>	<b>12</b>
<b>14. ACCESSORIES</b>	<b>12</b>
<b>15. SPARE PARTS</b>	<b>12</b>
<b>16. DISPOSAL</b>	<b>12</b>

#### Warning

The information contained in this document is subject to change without notice and is to be intended as a commitment by Spencer Italia S.r.l. subject to change. Spencer products are exported to many countries where the same rules do not always apply. For this reason, there may be differences between what is described herein and the products delivered. Spencer is constantly working on improving all types and models of the products sold. We therefore rely on your understanding if we should reserve the right to make changes to the scope of delivery at any time in terms of form, equipment, set-up and technology.

© Copyright Spencer Italia S.r.l.

All rights reserved. No part of the document may be photocopied, reproduced or translated into another language without prior written consent from Spencer Italia S.r.l.

## 1. MODELS

The following basic models may be subject to implementation or change without notice.

MODEL	BELT TYPE	HOOK
STX 597	1 PIECE	PLASTIC
STX 598	2 PIECES	PLASTIC
STX 591	1 PIECE	METAL
STX 494	2 PIECES	SPRING CATCH
STX 592	2 PIECES	METAL
STX 526	2 PIECES	METAL
STX 701	1 PIECE	METAL
STX 702	2 PIECES	METAL
STX 580	2 PIECES	ALUMINIUM
STX 499	4-PIECE THORAX BELT	METAL
DNA STRAP	2 PIECES WITH RE-WINDING SYSTEM	METAL
DNA STRAP THORAX BELT	4 PIECES WITH RE-WINDING SYSTEM	METAL

## 2. INTENDED USE

### 2.1 INTENDED USE AND CLINICAL BENEFITS

Restraint belts are aids used to obtain a degree of restraint that allows patients to be transported safely when used in accordance with the product in use.

### 2.2 TARGET PATIENTS

There are no particular indications related to the patient group.

Further limitations of use may be related to the device with which the belt is used. For this purpose, please refer to the user manual of the transport device in use.

### 2.3 PATIENT SELECTION CRITERIA

The expected patient selection criteria are those applicable to the device with which the belt is used.

### 2.4 CONTRAINDICATIONS AND UNWANTED SIDE EFFECTS

No particular contraindications or side effects are known with relation to use of the device, as long as it is used in accordance with the user manual.

### 2.5 USERS AND INSTALLERS

The intended users are rescue workers and experts in patient handling, immobilisation and transport.

These devices are not intended for lay people.

Restraint belts are devices intended for professional use only. Do not allow untrained persons to help while using the product, as they may cause injury to themselves or others.

Despite all efforts, laboratory tests, trials, and instructions for use, standards do not always reproduce practice, so the results obtained under actual conditions of product use in the natural environment may sometimes differ significantly.

The best instructions are the continuous practice of use under the supervision of competent and trained personnel.

Operators using the device should be physically able to use the device and have good muscle coordination. Operators' ability must be assessed before the definition of roles in use of the stretcher.

**Operators must be able to provide the necessary patient care.**

#### 2.5.1 USER TRAINING

- Regardless of your level of experience with similar devices in the past, you should carefully read and understand the contents of this manual before installing, operating, or servicing this product. In case of any questions, please contact Spencer Italia S.r.l. for the necessary clarifications.
- The product must be used only by personnel trained in the use of this product and not on other similar products.
- The suitability of the users for use of this product can be attested by the training registration, in which trained persons, trainers, date and place are specified. **This documentation must be kept for at least 10 years after the end of the product's life and must be made available to the competent authorities and/or the Manufacturer when requested. In the absence of such documentation, the relevant bodies will apply any foreseen sanctions.**
- Do not allow untrained persons to help while using the product, as they may cause injury to themselves or others.

*Note: Spencer Italia S.r.l. is always available for training courses.*

#### 2.5.2 INSTALLER TRAINING

DNA belt installers must be able to carefully read and understand the contents of this manual and must ensure that installation of this device has been carried out up to standard, as described in par. 11.6.

Installation is not required for the other devices described in this manual.

## 3. REFERENCE STANDARDS

As Distributor or End-User of the products manufactured and/or marketed by Spencer Italia S.r.l., users are strictly required to be familiar with the legal provisions in force in the country of destination of the goods, applicable to the devices to be supplied (including regulations relating to technical specifications and/or safety requirements) and, therefore, to understand the requirements necessary to ensure compliance of the products themselves with all legal requirements of the territory.

REFERENCE	DOCUMENT TITLE
EU Regulation 2017/745	EU Regulation on Medical Devices

## 4. INTRODUCTION

### 4.1 USING THE MANUAL

The purpose of this manual is to provide healthcare professionals with the information necessary for safe and appropriate use and maintenance of the device.

*Note: The Manual is an integral part of the device and therefore it must be kept for the entire life of the device and must accompany it in any changes of use or ownership. If any instructions for use for products other than the one received are present, please contact the Manufacturer immediately before use.*

Spencer products User Manuals can be downloaded from the site <http://support.spencer.it> or by contacting the Manufacturer. Exceptions are those items whose essentiality and reasonable and predictable use are such that it is not necessary to draw up instructions, in addition to the following warnings and indications on the label.

Regardless of your level of experience with similar devices in the past, it is advisable to carefully read and understand the contents of this manual before installing, operating, or servicing this product.

### 4.2 DEVICE LABELLING AND TRACEABILITY










Each device is provided with a label, placed on the device itself and/or on the packaging, which contains the Manufacturer's identification data, product, CE marking, serial number (SN) or lot number (LOT). This must never be removed or covered.

*In the event of damage or removal, request a duplicate from the Manufacturer, or else the warranty will be void as the device can no longer be traced.*

**If the assigned Lot/SN cannot be traced, the device must be reconditioned, provided only under the responsibility of the manufacturer**

EU Regulation 2017/754 requires manufacturers and distributors of medical devices to keep track of their location. If the device is in a location other than the address to which it was shipped or sold, or if it was donated, lost, stolen, exported or destroyed, permanently removed from use, or if the device was not delivered directly from Spencer Italia S.r.l., please register the device at <http://service.spencer.it>, or inform Customer Service (see § 4.4).

### 4.3 SYMBOLS

Symbol	Meaning
	Device in compliance with EU Regulation 2017/745
	Medical device
	Manufacturer
	Date of manufacture
	Danger – Indicates a hazardous situation that may result in a situation directly related to serious injury or death.
	See the user manual.
	Lot number
	Product code
	Unique Device Identifier

### 4.4 WARRANTY AND SERVICE

Spencer Italia S.r.l. guarantees that products are free from defects for a period of **one year from the date of purchase**.

For information regarding correct interpretation of the instructions for use, maintenance, installation or return, please contact Spencer Customer Service tel. +39 0521 541154, fax +39 0521 541222, e-mail [service@spencer.it](mailto:service@spencer.it).

To facilitate service, always indicate the lot number (LOT) or serial number (SN) on the label attached to the package or device itself.

**Warranty and service conditions are available at <http://support.spencer.it>.**

*Note:*

*Record and keep with these instructions: lot (LOT) or serial number (SN), if present, place and date of purchase, date of first use, date of checks, user name and comments.*

## 5. WARNINGS/DANGERS



Warnings, dangers, notes, and other important safety information are provided in this section and are clearly visible throughout the manual.

At least every 6 months, it is important to check for updated instructions and any changes involving your product. This information is freely available on the website [www.spencer.it](http://www.spencer.it) on the specific product page.

### *Product features*



**Use of the product for any purpose other than that described in the User Manual is prohibited.**

- Before each use, always check the conditions of the product, as specified in the User Manual. In the event of faults/damage that could compromise its functionality/safety, immediately remove it from service and contact the Manufacturer.
- If the product is found to be malfunctioning, immediately use a similar device to ensure continuity of ongoing operations. Non-compliant devices must be taken out of service.
- The product must not be tampered with or modified without the manufacturer's authorisation (modification, tweaking, additions, repair), as they may constitute imminent danger of injury to persons and material damage. Should these operations be performed, we decline any responsibility for incorrect operation or any damage caused by the product itself; moreover, the CE marking and the product warranty shall be null and void.
- When using the devices, position and adjust them in such a way that they do not hinder operator works or the use of any other equipment.
- Be sure to take every precaution to avoid hazards from contact with blood or body secretions, if applicable.
- Avoid contact with sharp or abrasive objects.
- Operating temperature: from -5°C to + 50°C.



### *Storage*

- The product must not be exposed or come into contact with thermal sources of combustion or flammable agents, but must instead be stored in a dry, cool place, away from light and sun.
- Do not store the product under other more or less heavy materials that may damage the device.
- Store and transport the product with its original packaging, otherwise the warranty shall be invalidated.
- Storage temperature: -10°C to +60°C.

### *Regulatory requirements:*

**As Distributor or End-User of the products manufactured and/or marketed by Spencer Italia S.r.l., users are strictly required to be familiar with the legal provisions in force in the country of destination of the goods, applicable to the devices to be supplied (including regulations relating to technical specifications and/or safety requirements) and, therefore, to understand the requirements necessary to ensure compliance of the products themselves with all legal requirements of the territory.**

- Promptly and in detail notify Spencer Italia S.r.l. (already in the quotation request phase) about possible fulfilments by the Manufacturer necessary for the compliance of products with specific legal requirements of the territory (including those deriving from regulations and/or regulatory provisions of another nature).
- Act with due care and diligence to help ensure compliance with the general safety requirements of the devices placed on the market, providing end-users with all the information necessary to carry out periodic revisions on the supplied devices, exactly as indicated in the User Manual.
- **Participate in safety checks on products** placed on the market, transmitting information regarding product risks to the Manufacturer as well as to the Competent Authorities for their respective actions.
- Without prejudice to the above, the Distributor or End-User shall assume wider liability related to non-compliance with non-fulfilment of the above-mentioned obligations, with consequent obligation to indemnify and/or hold Spencer Italia S.r.l. harmless from any possible injurious effect.
- With reference to EU Regulation 2017/745, please note that public or private operators who, when exercising their activity, detect an incident involving a medical product are required to notify the Ministry of Health, within the terms and in the manner established by one or more ministerial decrees, and notify the Manufacturer. Public or private health care professionals are required to notify the Manufacturer of any other incident that may allow the adoption of measures to ensure the protection and health of patients and users.







### *General warnings for medical devices*

**The user must carefully read the following in addition to the general warnings.**

- It is not foreseen that application of the device lasts longer than the time required for first aid operations and subsequent transport to the nearest rescue point.
- Qualified personnel and at least two operators must be present during use of the device.
- Do not use if the device or parts of it are punctured, torn, frayed, or excessively worn.
- Follow the internal procedures and protocols approved by your organisation.
- Do not alter or modify the device arbitrarily, as doing so could result in unpredictable operation and damage to the patient or rescuers and shall void the manufacturer's warranty and release the manufacturer from all liability.
- Do not use drying machines to dry the device.
- In case of exposed and/or injured skin, cover the surfaces in contact with the patient with a surgical sheet that respects bio-compatibility regulations to protect the patient's health.

## 6. SPECIFIC WARNINGS

To use the restraint belts, you must also have read, understood and carefully follow all the instructions in the user manual.

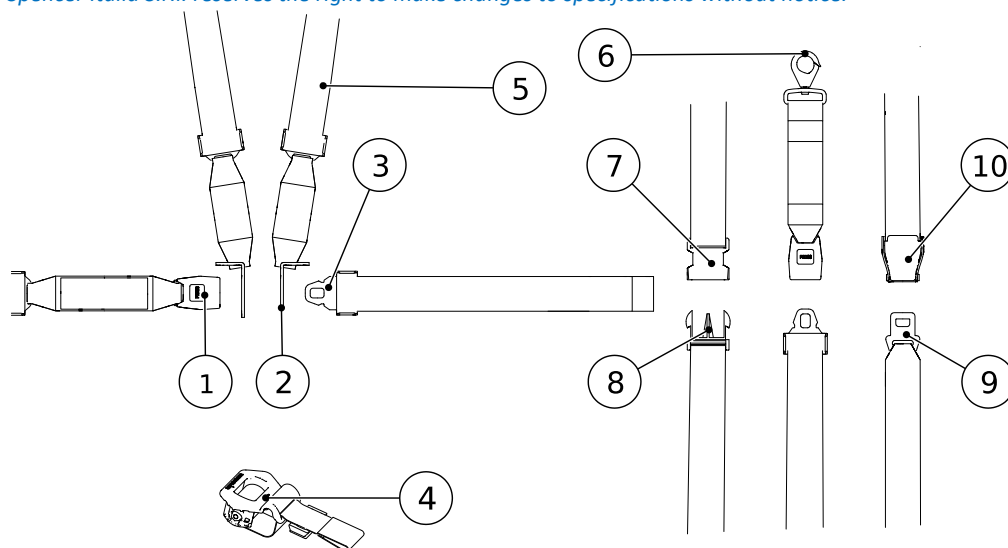
-  • Always comply with the positioning specifications defined by the device with which the belts are used. In addition, the operator should assess whether the overall size of the patient reduces the functionality of the product.
- Always apply the number of belts provided by the transport equipment in use.
-  • **Perform rescue simulations with the belts applied to the product with which it is intended to be used and a patient simulating load and accessories before putting the device into service.**
- Establish a maintenance program and periodic checks, identifying a designated reference person. The person entrusted with routine maintenance of the device must ensure the basic requirements envisaged by the manufacturer within these operating instructions.
- All maintenance activities must be recorded and documented with the relevant technical operation reports. This documentation must be kept for at least 10 years after the end of the device's life and must be made available to the competent authorities and/or the manufacturer when requested.
- Avoid contact with sharp objects.
- Follow approved Emergency Medical Service procedures for patient immobilization and transportation.
-  • Follow approved Emergency Medical Service procedures for patient positioning and transportation.
-  • Before each use, always check the conditions of the device and its components, as specified in the user manual. In case of faults or damage that may compromise the functionality and safety of the device, and therefore the patient and the operator, remove the device from service.
-  • Do not arbitrarily alter or modify the device to adapt it to unforeseen conditions of use: doing so could result in unpredictable operation and damage to the patient or rescuers and shall void the manufacturer's warranty and release the manufacturer from all liability.
- To preserve the life of the device, protect it as much as possible from UV rays and adverse weather conditions.
-  • Make sure that the buckles are properly anchored to the strap and that they are intact and functional.

## 7. RESIDUAL RISK

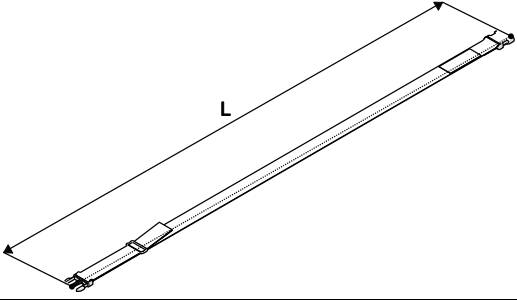
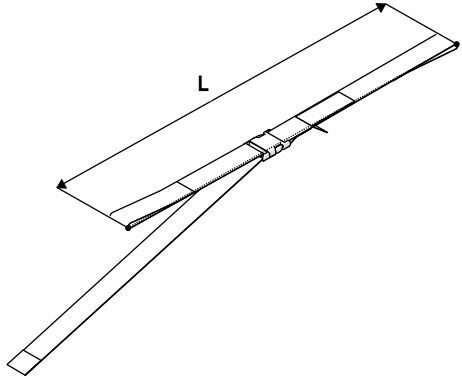
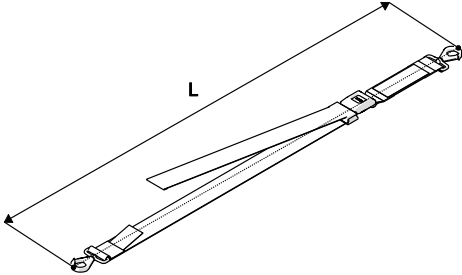
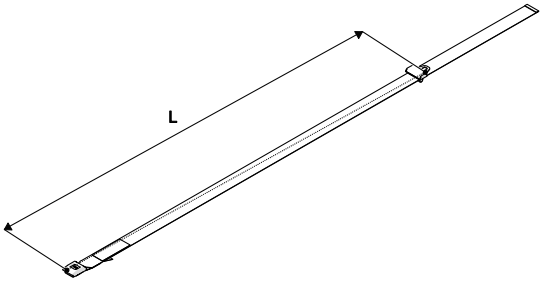
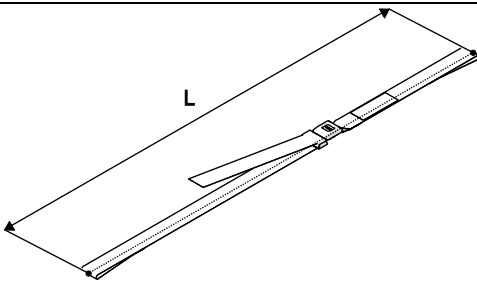
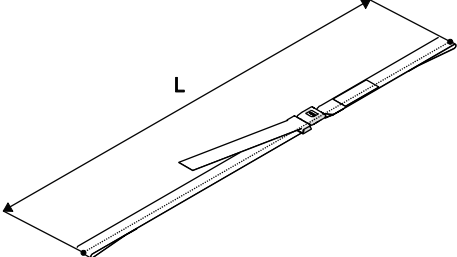
No residual risks, or rather risks that could arise despite compliance with all warnings in this user manual, have been identified.

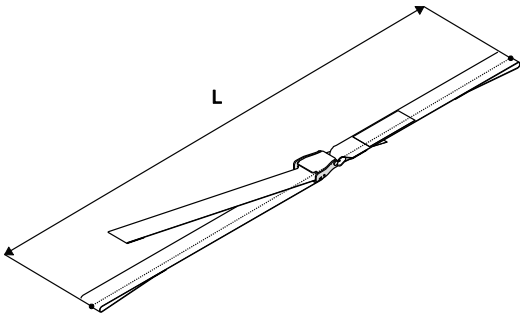
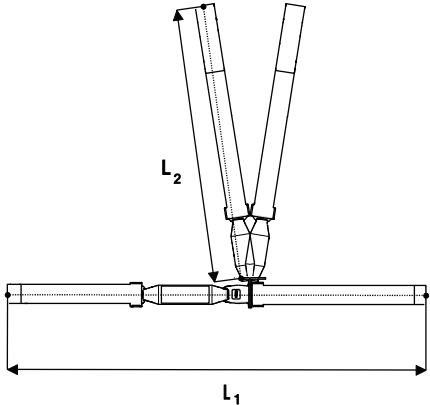
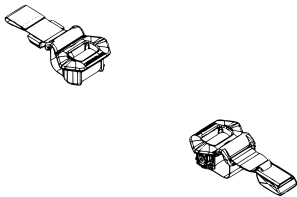
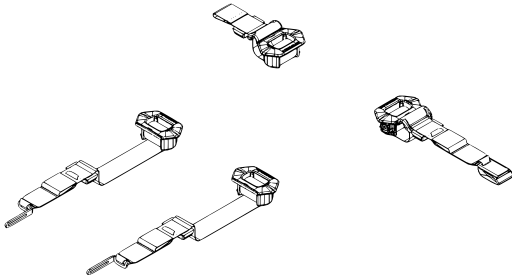
## 8. TECHNICAL DATA AND COMPONENTS

*Note: Spencer Italia S.r.l. reserves the right to make changes to specifications without notice.*



<i>Id</i>	<i>Description</i>	<i>Id</i>	<i>Description</i>
1	Female metal buckle	6	Spring catches
2	Thorax hook	7	Female plastic hook
3	Male metal hook	8	Male plastic hook
4	Re-winding system	9	Male aluminium hook
5	Thorax strap	10	Female aluminium hook

BELT COMPONENT		MATERIAL	
Metal buckle		Chrome-plated steel and plastic	
Plastic buckle		Nylon	
Aluminium buckle		Aluminium	
Strap		Nylon	
MODEL		L max (mm)	L min (mm)
STX 597		1900	400
STX 598		1500	700
STX 494		1600	450
STX 591 STX 701		1850	350
STX 592		1600	600
STX 702 STX 526		1600	600

STX 580		1600	700
STX 499		L <sub>1</sub> max (mm)	L <sub>1</sub> min (mm)
		1700	600
		L <sub>2</sub> max (mm)	L <sub>2</sub> min (mm)
		1200	300
DNA STRAP		L max male strap	L max female strap
		800	500
DNA STRAP THORAX BELT		L max male strap	L max female strap
		800	700
		L max shoulder straps	
		1100	

## 9. COMMISSIONING

For first use, check that:

- Packaging is intact and has protected the device during transportation
- Check that all parts included in the packing list are present
- General functionality of the device
- Product cleanliness
- Absence of cuts, holes, tears or abrasions on the entire structure
- Conditions of wear of the device.
- Check that the buckles are working properly.
- Check that the spring catches are working correctly, if present on the model.
- Check that the re-winding system is working correctly, if present on the model.

See paragraph 11 for how to carry out the above-mentioned checks.

Do not modify the device or its parts for any reason as this could cause damage to the patient and/or rescuers.



**Failure to take the above measures will preclude safe use of the device, resulting in risk of damage to the patient, operators and the device itself.**

**For subsequent use, perform the operations specified in paragraph 12.**

If the above conditions are met, the device may be considered ready for use; otherwise, you must immediately remove the device from service and contact the Manufacturer.

Do not alter or modify the device arbitrarily, as doing so could result in unpredictable operation and damage to the patient or rescuers and will void the warranty and release the Manufacturer from all liability.



## 10. OPERATING CHARACTERISTICS

See paragraph 11 - Proper use for operating characteristics.

## 11. PROPER USE

Primary medical evaluations must be carried out before intervening on the patient.

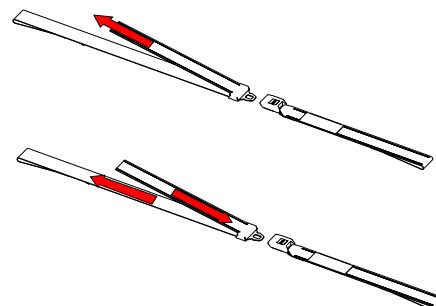
Before using any type of belt described in this manual, carefully read the operating instructions of the device with which it is intended to be used.

### 11.1 Adjusting length

The length of the belts can be adjusted so that they can be adapted effectively to the patient in consideration of the device in use.

To tighten the belt, pull the free end of the belt in the opposite direction to the buckle.

To extend the belt, press the free end towards the inside of the buckle, then pull the strap out of the buckle. Repeat the operation several times until the desired length is reached.



### 11.2 Belt coupling and release

Type of hook	Hook	Release
Metal		
Plastic		
Aluminium		
Thorax		

### 11.3 1-piece belt use

1-piece belts are suitable for use with:

- Vacuum mattresses
- Pick-up stretchers

To apply the belts, lay them on the floor, place the device with which you want to use them above the belts, position the patient according to the instructions of the device in use and then adjust and close them so that the patient is attached to the device.

Check that the operation has been carried out correctly and that the patient is properly attached to the device.

## 11.4 2-piece belt use

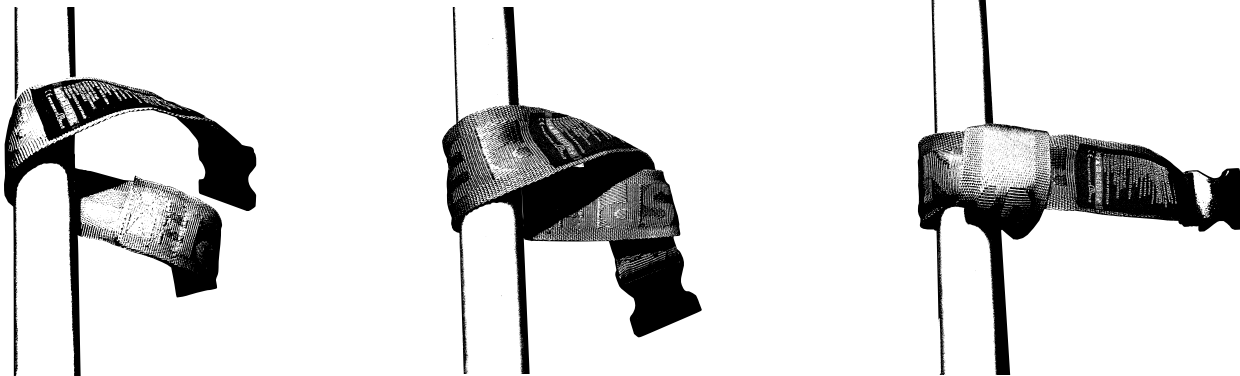
2-piece belts are suitable for use with:

- Ambulance stretchers
- Emergency stretchers
- Spine boards
- Pick-up stretchers
- Vacuum mattresses equipped with perimeter rope
- Basket stretchers
- Transport chairs
- Stair chairs

The choice of buckle type is linked to the specifications of the device in use.

To apply the two-piece belts, identify the point on the device where they must be applied according to the instructions of the device itself. Wrap the portion of the frame involved, then apply the belt by making a loop with it.

Adjust the length and close them so that the patient is attached to the device.



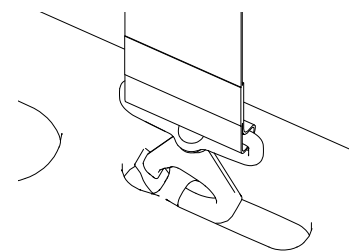
## 11.5 Spring catch belt use

Spring catch belts are suitable for use with:

- Spine boards equipped with PIN
- Vacuum mattresses equipped with special holes for their application

To apply them, identify the PIN or hole to which the spring catch is to be applied, then press the mobile part of the spring catch towards the PIN or hole, allowing them to enter the spring catch.

After verifying correct application of the belt, adjust its length and close it so that the patient is attached to the device.

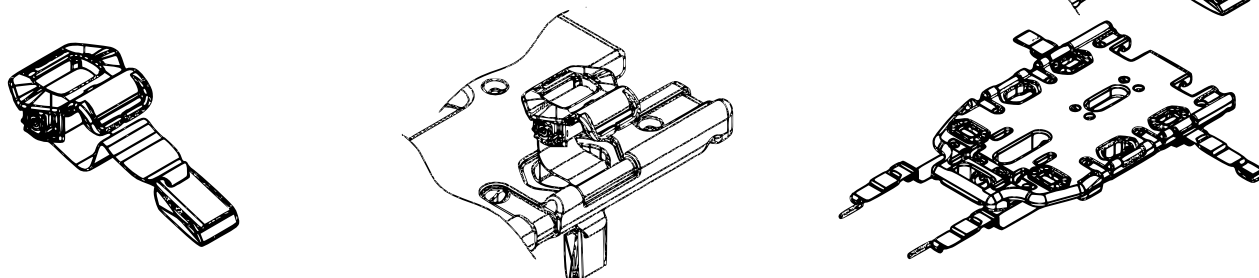


## 11.6 DNA strap installation

DNA straps are suitable for use with stretchers equipped with a patient bed with special housing.

To apply them:

- 1 – Remove the belt from the seat present on the re-winding system.
- 2 – Insert the DNA system, keeping the belt taut, into the special cavity on the body of the bed. The male and female straps must be on the left and right of the platform, respectively.
- 3 – Put the belts back into the hole on the DNA re-winding system and complete the installation.
- 4 – Proceed in the same way for thorax systems.



After positioning the patient, fasten the belts and check that they are correctly applied.

**!** DNA straps are not equipped with a pre-tensioner. It is therefore necessary to manually adjust them after fastening them, tensioning the belts and bringing the re-winding system to the end of the stroke.

Incorrect adjustment makes the device unsafe and ineffective.

## 12. CLEANING AND MAINTENANCE

**Spencer Italia S.r.l. declines all responsibility for any direct or indirect damage which is the consequence of improper use of the product and spare parts and/or in any case of any repair carried out by a person other than the Manufacturer, who uses internal and external technicians authorised to do so; moreover, doing so will invalidate the warranty.**

- The operator must wear suitable personal protective equipment, such as gloves, goggles, etc. during all checking, maintenance and cleaning operations.
- Establish a maintenance schedule, periodic inspections and extend the average life span, if foreseen by the Manufacturer in the User Manual, identifying a reference person who meets the basic requirements set forth in the User Manual.

- **The frequency of inspections is determined by factors such as legal requirements, type of use, frequency of use, and environmental conditions during use and storage.**
- Repairs of products manufactured by Spencer Italia S.r.l. must be carried out by the Manufacturer, who shall make use of specialised internal or external technicians who, using original spare parts, shall provide quality repair service in strict compliance with the technical specifications indicated by the Manufacturer. Spencer Italia S.r.l. declines any responsibility for any direct or indirect damage which is a consequence of improper use of spare parts and/or any repair work carried out by unauthorised parties.
- Reconditioning, a process performed on the device to restore the technical and functional safety of the device used, for example re-registration, must be performed by the Manufacturer.
- All maintenance and overhaul activities must be recorded and documented with the relevant technical operation reports. This documentation must be kept for at least 10 years after the end of the product's life and must be made available to the competent authorities and/or the Manufacturer when requested.
- Cleaning, provided for reusable products, must be carried out in accordance with the Manufacturer's instructions in the User Manual in order to avoid the risk of cross-infection due to the presence of body fluids and/or residues.

## 12.1 CLEANING

Failure to carry out the correct cleaning operations could increase the risk of cross-infection due to presence of body fluids and/or residues.

The operator must wear suitable personal protective equipment, such as gloves, goggles, etc. during all checking and cleaning operations.

Any metal parts exposed to external agents undergo surface treatments and/or coating in order to obtain better resistance. Clean the exposed parts with water and delicate soap. **Never use solvents or stain removers.**

Rinse thoroughly with lukewarm water, making sure you have removed all traces of soap, which may deteriorate or compromise conditions and durability. **Avoid using high pressure water**, as it penetrates the joints, creating the risk of corrosion on components. Let dry completely before storing. Drying after washing or after use in a wet environment must be natural and not forced. Do not use flames or other direct heat sources.

If **disinfecting**, use products that do not have a solvent or corrosive action on materials constituting the device, in addition to being classified as medical-surgical devices. Be sure to take all precautions to ensure that there is no risk of cross-infection or contamination of patients and operators.

In the case of disposable products, no cleaning is required except that the product be properly stored and packaged according to the manufacturer's specifications.

## 12.2 ROUTINE MAINTENANCE

You must establish a program for periodic checks, identifying a designated reference person. The person entrusted with device maintenance must ensure the basic requirements envisaged within this user manual.

All maintenance activities must be recorded and documented with the relevant technical intervention reports. This documentation must be kept for at least 10 years after the end of the device's life and must be made available to the competent authorities and/or the Manufacturer when requested.

The operator must wear suitable personal protective equipment, such as gloves, goggles, etc. during all checking, maintenance and cleaning operations.

The device does not require a routine maintenance program, but checks must be made before and after use to verify:

- General functionality of the device
- Cleanliness of the device (remember that the failure of cleaning may cause the risk of cross infections)
- Fulfilment of the requirements of the user manual in section 5 Warnings and 6 Specific Warnings.
- Fulfilment of the requirements of the manual in section 11 Proper use.

Use only original or Spencer Italia S.r.l. approved components/replacement parts and/or accessories to carry out any operation without causing alterations or modifications to the device. Otherwise, we decline all responsibility regarding incorrect operation or any damage caused by the device to the patient or the operator, invalidating the warranty and invalidating compliance with EU Regulation 2017/745.

### 12.3 PERIODIC OVERHAUL

No periodic overhaul is foreseen for the device.

### 12.4 SPECIAL MAINTENANCE

No special maintenance is foreseen for these devices.

### 12.5 LIFE SPAN

**The device, if used as described in the following instructions, has a life span of 2 years from the date of purchase.**

Spencer Italia S.r.l. will accept no responsibility for incorrect operation or damage caused by the use of devices that have exceeded the maximum allowable life span.

### 13. TROUBLESHOOTING TABLE

PROBLEM	CAUSE	REMEDY
It is not possible to hook the plastic buckle. It is not possible to attach the metal buckle.	The buckle has not been correctly inserted.	Insert the buckle, taking care that the male and female parts are correctly aligned and that one of the two is not upside down.
<b>The metal buckle does not hook.</b>	<b>Internal components damaged.</b>	Put the device out of service immediately and replace it with a similar one.
The DNA strap re-winding device is not working.	Internal spring broken or yielding.	Put the device out of service immediately and replace it with a similar one.

If a problem or fault is detected that does not correspond to the above, please contact Spencer Italia srl customer care service.

### 14. ACCESSORIES

There are no accessories for these devices.

### 15. SPARE PARTS

There are no spare parts available for these devices.

### 16. DISPOSAL

When devices and their accessories are no longer suitable for use, they can be disposed of as normal municipal solid waste if they have not been contaminated by special agents. Otherwise, follow the regulations in force regarding disposal.

<b>1. MODELLI</b>	<b>14</b>
<b>2. DESTINAZIONE D'USO</b>	<b>14</b>
2.1 DESTINAZIONE D'USO E BENEFICI CLINICI	14
2.2 PAZIENTI DESTINATARI	14
2.3 CRITERI DI SELEZIONE PAZIENTI	14
2.4 CONTROINDICAZIONI ED EFFETTI COLLATERALI INDESIDERATI	14
2.5 UTILIZZATORI E INSTALLATORI	14
2.5.1 FORMAZIONE UTILIZZATORI	14
2.5.2 FORMAZIONE INSTALLATORE	14
<b>3. STANDARD DI RIFERIMENTO</b>	<b>14</b>
<b>4. INTRODUZIONE</b>	<b>15</b>
4.1 UTILIZZO DEL MANUALE	15
4.2 ETICHETTATURA E CONTROLLO TRACCIABILITÀ DEL DISPOSITIVO	15
4.3 SIMBOLI	15
4.4 GARANZIA E ASSISTENZA	15
<b>5. AVVERTENZE/PERICOLI</b>	<b>16</b>
<b>6. AVVERTENZE SPECIFICHE</b>	<b>17</b>
<b>7. RISCHIO RESIDUO</b>	<b>17</b>
<b>8. DATI TECNICI E COMPONENTI</b>	<b>17</b>
<b>9. MESSA IN FUNZIONE</b>	<b>19</b>
<b>10. CARATTERISTICHE FUNZIONALI</b>	<b>20</b>
<b>11. MODALITÀ D'USO</b>	<b>20</b>
11.1 REGOLAZIONE DELLA LUNGHEZZA	20
11.2 AGGANCIO E SGANCIO DELLA CINTURA	20
11.3 UTILIZZO DELLE CINTURE A 1 PEZZO	20
11.4 UTILIZZO DELLE CINTURE A 2 PEZZI	21
11.5 UTILIZZO DELLE CINTURE CON MOSCHETTONE	21
11.6 INSTALLAZIONE DNA STRAP	21
<b>12. PULIZIA E MANUTENZIONE</b>	<b>21</b>
12.1 PULIZIA	22
12.2 MANUTENZIONE ORDINARIA	22
12.3 REVISIONE PERIODICA	22
12.4 MANUTENZIONE STRAORDINARIA	22
12.5 TEMPO DI VITA	22
<b>13. TABELLA GESTIONE GUASTI</b>	<b>23</b>
<b>14. ACCESSORI</b>	<b>23</b>
<b>15. RICAMBI</b>	<b>23</b>
<b>16. SMALTIMENTO</b>	<b>23</b>

**avvertenza**

Le informazioni contenute in questo documento sono soggette a modifica senza preavviso e sono da intendersi come impegno da parte della Spencer Italia S.r.l. con riserva di modifiche. I prodotti Spencer vengono esportati in molti paesi nei quali non valgono sempre identiche regole. Per questa ragione possono esserci differenze fra quanto qui descritto ed i prodotti consegnati. Spencer lavora costantemente al perfezionamento di tutti i tipi e modelli dei prodotti venduti. Contiamo perciò sulla vostra comprensione se dovessimo riservarci la facoltà di apportare in qualsiasi momento modifiche alla fornitura nella forma, equipaggiamento, allestimento e tecnica rispetto a quanto qui convenuto.

© copyright Spencer Italia S.r.l.

tutti i diritti sono riservati. nessuna parte del documento può essere fotocopiata, riprodotta o tradotta in un'altra lingua senza previo consenso scritto della Spencer Italia S.r.l.

## 1. MODELLI

I modelli base riportati di seguito possono essere soggetti a implementazioni o modifiche senza preavviso.

MODELLO	TIPO CINTURA	GANCIO
STX 597	1 PEZZO	PLASTICA
STX 598	2 PEZZI	PLASTICA
STX 591	1 PEZZO	METALLO
STX 494	2 PEZZI	MOSCHETTONE
STX 592	2 PEZZI	METALLO
STX 526	2 PEZZI	METALLO
STX 701	1 PEZZO	METALLO
STX 702	2 PEZZI	METALLO
STX 580	2 PEZZI	ALLUMINIO
STX 499	4 PEZZI TORACICA	METALLO
DNA STRAP	2 PEZZI CON ARROTOLATORE	METALLO
DNA STRAP TORACICA	4 PEZZI CON ARROTOLATORE	METALLO

## 2. DESTINAZIONE D'USO

### 2.1 DESTINAZIONE D'USO E BENEFICI CLINICI

Le cinture di trattenuta sono ausili da utilizzarsi per ottenere un grado di ritenuta tale da consentire il trasporto del paziente in condizioni di sicurezza se impiegate conformemente al prodotto in uso.

### 2.2 PAZIENTI DESTINATARI

Non sono presenti particolari indicazioni legate al gruppo di pazienti.

Ulteriori limitazioni di utilizzo, possono essere legate al dispositivo con cui la cintura viene utilizzata. A tal scopo, si rimanda pertanto al manuale d'uso del dispositivo di trasporto in uso.

### 2.3 CRITERI DI SELEZIONE PAZIENTI

I criteri di selezione dei pazienti attesi sono quelli applicabili al dispositivo con cui la cintura viene utilizzata.

### 2.4 CONTROINDICAZIONI ED EFFETTI COLLATERALI INDESIDERATI

Non sono note particolari controindicazioni o effetti collaterali derivanti dall'uso del dispositivo, purché utilizzato in accordo al manuale d'uso.

### 2.5 UTILIZZATORI E INSTALLATORI

Gli utilizzatori previsti, sono addetti al soccorso, esperti nella movimentazione, immobilizzazione e trasporto del paziente.

I dispositivi non sono destinati ad utilizzatori profani

Le cinture di trattenuta sono un dispositivo destinato esclusivamente all'uso professionale. Non consentire a persone non addestrate di aiutare durante l'uso del prodotto, poiché potrebbero causare lesioni a se stessi o ad altre persone.

Malgrado tutti gli sforzi, i test di laboratorio, i collaudi, le istruzioni d'uso, le norme non sempre riescono a riprodurre la pratica, per cui i risultati ottenuti nelle reali condizioni di utilizzo del prodotto nell'ambiente naturale possono differire in maniera talvolta anche rilevante. Le migliori istruzioni sono la continua pratica d'uso sotto la supervisione di personale competente e preparato

Gli operatori che lo utilizzano devono possedere capacità fisica nell'utilizzare il dispositivo e buona coordinazione muscolare. Le capacità degli operatori devono essere valutate prima della definizione dei ruoli nell'impiego del dispositivo.

**Gli operatori devono essere in grado di fornire la necessaria assistenza al paziente.**

#### 2.5.1 FORMAZIONE UTILIZZATORI

- Indipendentemente dal livello di esperienza acquisito in passato con dispositivi analoghi, è necessario leggere con attenzione e comprendere il contenuto del presente manuale prima dell'installazione, della messa in uso del prodotto o di qualsiasi intervento di manutenzione. In caso di dubbi, interpellare Spencer Italia S.r.l. per ottenere i necessari chiarimenti.
- Il prodotto deve essere utilizzato solamente da personale addestrato all'utilizzo di questo prodotto e non di altri analoghi.
- L'idoneità degli utilizzatori all'uso del prodotto può essere attestata con la registrazione della formazione, nella quale sono specificate persone formate, formatori, data e luogo. **Tale documentazione deve essere mantenuta almeno per 10 anni dal fine vita del prodotto e deve essere messa a disposizione delle Autorità competenti e/o del Fabbricante, quando richiesto. In mancanza, gli organi preposti applicheranno eventuali sanzioni previste.**
- Non consentire a persone non addestrate di aiutare durante l'uso del prodotto, poiché potrebbero causare lesioni a se stessi o ad altre persone.

**Nota: Spencer Italia S.r.l. si ritiene sempre a disposizione per lo svolgimento di corsi di formazione.**

#### 2.5.2 FORMAZIONE INSTALLATORE

L'installatore delle cinture DNA, deve essere in grado di comprendere il contenuto del presente manuale e deve garantire che l'installazione di tale dispositivo sia stata effettuata a regola d'arte, come descritto al par. 11.6.

Per gli altri dispositivi descritti nel presente manuale, non è prevista installazione

## 3. STANDARD DI RIFERIMENTO

In qualità di Distributore o Utilizzatore finale dei prodotti fabbricati e/o commercializzati da Spencer Italia S.r.l., è rigorosamente richiesto di conoscere le disposizioni di legge in vigore nel Paese di destinazione della merce, applicabili ai dispositivi oggetto della fornitura (ivi comprese le normative relative alle specifiche tecniche e/o ai requisiti di sicurezza) e, pertanto, di conoscere gli adempimenti necessari per assicurare la conformità dei medesimi prodotti a tutti i requisiti di legge del territorio.

RIFERIMENTO	TITOLO DEL DOCUMENTO
Regolamento UE 2017/745	Regolamento UE relativo ai Dispositivi Medici

#### 4. INTRODUZIONE

##### 4.1 UTILIZZO DEL MANUALE

Il presente Manuale ha lo scopo di fornire all'operatore sanitario le informazioni necessarie per un utilizzo sicuro ed appropriato e per un'adeguata manutenzione del dispositivo.

*Nota: il Manuale è parte integrante del dispositivo, pertanto deve essere conservato per tutta la durata del dispositivo e dovrà accompagnare lo stesso in eventuali cambi di destinazione o di proprietà. Nel caso in cui fossero presenti istruzioni d'uso relative ad altro prodotto, diverso da quello ricevuto, è necessario contattare immediatamente il Fabbricante prima dell'uso.*

I Manuali d'Uso dei prodotti Spencer, possono essere scaricati dal sito <http://support.spencer.it> oppure contattare il Fabbricante. Fanno eccezione gli articoli la cui essenzialità ed un uso ragionevole e prevedibile siano tali da non rendere necessaria la stesura di istruzioni, in aggiunta alle seguenti avvertenze ed alle indicazioni riportate sull'etichetta.

Indipendentemente dal livello di esperienza acquisito in passato con dispositivi analoghi, si raccomanda di leggere con attenzione il presente manuale prima dell'installazione, della messa in uso del prodotto o di qualsiasi intervento di manutenzione.

##### 4.2 ETICHETTATURA E CONTROLLO TRACCIABILITÀ DEL DISPOSITIVO










Ogni dispositivo viene dotato di un'etichetta, posizionata sul dispositivo stesso e/o sulla confezione, nella quale sono presenti i dati identificativi del Fabbricante, del prodotto, marcatura CE, numero di matricola (SN) o lotto (LOT). Questa non deve essere mai rimossa o coperta.

In caso di danneggiamento o rimozione richiedere il duplicato al Fabbricante, pena la validità della garanzia, poiché il dispositivo non potrà più essere rintracciato.

**Qualora non si riesca a risalire al lotto/SN assegnato è necessario effettuare il ricondizionamento del dispositivo, previsto solo sotto la responsabilità del fabbricante.**

Il Regolamento UE 2017/754 richiede ai produttori e ai distributori di dispositivi medici di tenere traccia della loro ubicazione. Se il dispositivo si trova in una sede diversa dall'indirizzo a cui è stato spedito oppure è stato venduto, donato, perduto, rubato, esportato o distrutto, rimosso permanentemente dall'uso, oppure se il dispositivo non è stato consegnato direttamente da Spencer Italia S.r.l. registrare il dispositivo all'indirizzo <http://service.spencer.it>, oppure informare l'Assistenza Clienti (cfr. § 4.4).

##### 4.3 SIMBOLI

Simbolo	Significato
	Dispositivo conforme al Regolamento UE 2017/745
	Dispositivo medico
	Fabbricante
	Data di fabbricazione
	Pericolo – Indica una situazione di pericolo che può comportare una situazione direttamente connessa a lesioni gravi o letali
	Consultare il manuale d'uso
	Numero di lotto
	Codice del prodotto
	Unique Device Identifier

##### 4.4 GARANZIA E ASSISTENZA

Spencer Italia S.r.l. garantisce che i prodotti sono senza difetti per un periodo di un **anno a partire dalla data dell'acquisto**.

Per informazioni relative alla corretta interpretazione delle istruzioni, all'uso, alla manutenzione, all'installazione o al reso, contattare l'Assistenza Clienti Spencer tel. +39 0521 541154, fax +39 0521 541222, e-mail [service@spencer.it](mailto:service@spencer.it).

Per agevolare le operazioni di assistenza, indicare sempre il numero di lotto (LOT) o matricola (SN) riportato sull'etichetta applicata alla confezione o al dispositivo stesso.

**Condizioni di garanzia e assistenza sono disponibili al sito <http://support.spencer.it>.**

*Nota:*


*Registrare e conservare con queste istruzioni: lotto (LOT) o matricola (SN) se presente, luogo e data di acquisto, data primo utilizzo, data controlli, nome degli utilizzatori e commenti.*

## 5. AVVERTENZE/PERICOLI

 Le avvertenze, i pericoli, le note ed altre importanti informazioni di sicurezza sono riportati in questa sezione e chiaramente visibili in tutto il manuale.

Almeno ogni 6 mesi, è importante verificare la presenza di istruzioni aggiornate ed eventuali modifiche che coinvolgano il proprio prodotto. Queste informazioni, sono liberamente consultabili sul sito [www.spencer.it](http://www.spencer.it) nella pagina dedicata al prodotto.

### Funzionalità prodotto

 È vietato l'impiego del prodotto per qualsiasi altro utilizzo diverso da quello descritto nel Manuale d'Uso.

- Prima di ogni utilizzo verificare sempre l'integrità del prodotto, come specificato nel Manuale d'Uso ed in caso di anomalie/danni che possano comprometterne la funzionalità/sicurezza, è necessario toglierlo immediatamente dal servizio e contattare il Fabbricante.
- Nel caso di ravvisato malfunzionamento del prodotto, utilizzare immediatamente un dispositivo analogo, per garantire la continuità delle operazioni in corso. Il dispositivo non conforme deve essere messo fuori uso.
- Il prodotto non deve subire alcuna manomissione e modifica senza l'autorizzazione del fabbricante (modifica, ritocco, aggiunta, riparazione), poiché possono costituire imminenti pericoli di lesione a persone nonché danni materiali. In caso contrario si declina ogni responsabilità sul funzionamento non corretto o su eventuali danni provocati dal prodotto stesso; inoltre si rendono nulle la marcatura CE e la garanzia del prodotto.
- Durante l'utilizzo dei dispositivi, posizionarli e regolarli in modo tale da non ostacolare le operazioni degli operatori e l'utilizzo di eventuali altre apparecchiature.
- Assicurarsi di aver adottato ogni precauzione al fine di evitare pericoli derivanti dal contatto con sangue o secreti corporei, se applicabile.
- Evitare il contatto con oggetti taglienti o abrasivi.
- Temperatura di utilizzo: da -5°C a + 50°C

### Stoccaggio

- Il prodotto non deve essere esposto, né venire in contatto con fonti termiche di combustione ed agenti infiammabili, ma deve essere stoccato in luogo asciutto, fresco, al riparo dalla luce e dal sole.
- Non stoccare il prodotto sotto altri materiali più o meno pesanti, che possano danneggiare il dispositivo.
- Stoccare e trasportare il prodotto con la sua confezione originale, in caso contrario la garanzia risulta invalidata.
- Temperatura di stoccaggio: da -10°C a +60°C




### Requisiti regolatori

**In qualità di Distributore o Utilizzatore finale dei prodotti fabbricati e/o commercializzati da Spencer Italia S.r.l., è rigorosamente richiesto di conoscere le disposizioni di legge in vigore nel Paese di destinazione della merce, applicabili ai dispositivi oggetto della fornitura (ivi comprese le normative relative alle specifiche tecniche e/o ai requisiti di sicurezza) e, pertanto, di conoscere gli adempimenti necessari per assicurare la conformità dei medesimi prodotti a tutti i requisiti di legge del territorio.**

- Informare tempestivamente e dettagliatamente Spencer Italia S.r.l. (già in fase di richiesta preventivo) circa eventuali adempimenti a cura del Fabbricante necessari per la conformità dei prodotti agli specifici requisiti di legge del territorio (ivi inclusi quelli derivanti da regolamenti e/o disposizioni normative di altra natura).
- Agire, con la debita cura e diligenza, per contribuire a garantire la conformità ai requisiti generali di sicurezza dei dispositivi immessi sul mercato, fornendo agli utilizzatori finali tutte le informazioni necessarie per lo svolgimento delle attività di revisione periodica sui dispositivi in dotazione, esattamente come indicato nel Manuale d'Uso.
- **Partecipare al controllo di sicurezza del prodotto** immesso sul mercato, trasmettendo le informazioni concernenti i rischi del prodotto al Fabbricante nonché alle Autorità Competenti per le azioni di rispettiva competenza.
- Fermo quanto sopra, il Distributore o Utilizzatore finale, assume sin d'ora ogni più ampia responsabilità collegata al mancato adempimento dei sopra indicati incombenti con conseguente obbligo di tenere indenne e/o manlevare Spencer Italia S.r.l. da ogni, eventuale, relativo effetto pregiudizievole.
- In riferimento al Regolamento UE 2017/745, si ricorda che gli operatori pubblici o privati, che nell'esercizio della loro attività rilevano un incidente che coinvolga un prodotto medico sono tenuti a darne comunicazione al Ministero della salute, nei termini e con le modalità stabilite con uno o più decreti ministeriali, e al Fabbricante. Gli operatori sanitari pubblici o privati sono tenuti a comunicare al Fabbricante, ogni altro inconveniente che possa consentire l'adozione delle misure atte a garantire la protezione e la salute dei pazienti e degli utilizzatori.

### Avvertenze generali per dispositivi medici

**L'utilizzatore deve leggere attentamente, in aggiunta alle avvertenze generali, anche quelle di seguito elencate.**

- Non è previsto che l'applicazione del dispositivo duri oltre il tempo necessario alle operazioni di primo intervento e le successive fasi di trasporto fino al punto di soccorso più vicino.
-  Durante l'utilizzo del dispositivo deve essere garantita l'assistenza di personale qualificato e devono essere presenti almeno due operatori.
-  Non utilizzare se il dispositivo o sue parti sono forate, strappate, sfilacciate o eccessivamente usurate.
- Seguire le procedure ed i protocolli interni approvati dalla propria organizzazione.
-  Non alterare o modificare arbitrariamente il dispositivo la modifica potrebbe provocarne il funzionamento imprevedibile e danni al paziente o ai soccorritori e comunque la perdita della garanzia e sollevando il Fabbricante da qualsiasi responsabilità.
- Non utilizzare macchine asciugatrici per asciugare il dispositivo.



- Nel caso di cute esposta e/o lesa, coprire le superfici a contatto col paziente con un lenzuolo chirurgico che rispetti le normative di biocompatibilità per tutelare la salute del paziente.

## 6. AVVERTENZE SPECIFICHE

Per l'utilizzo delle cinture di trattenuta, è necessario anche aver letto, compreso e seguire accuratamente tutte le indicazioni presenti nel manuale d'uso

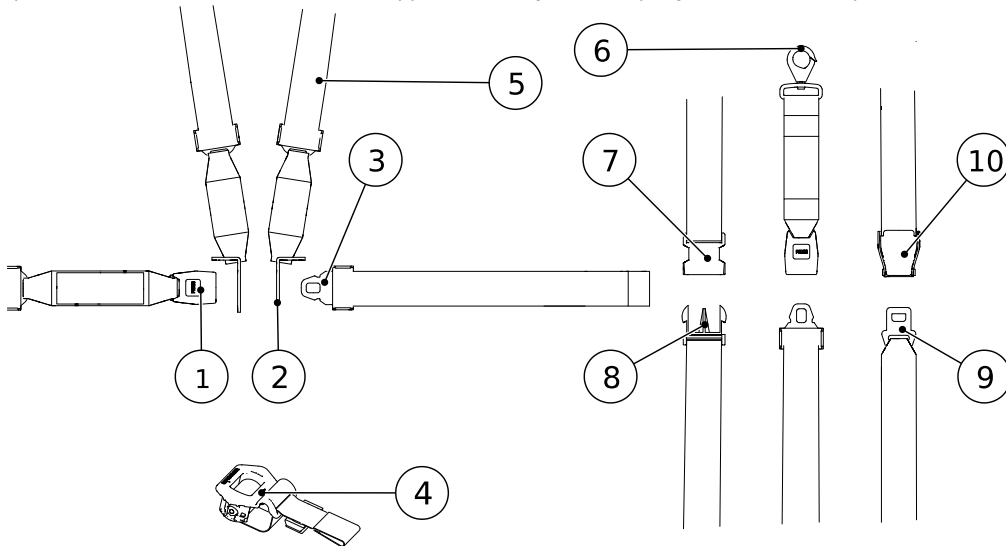
- ! Rispettare sempre le specifiche di posizionamento determinate dal dispositivo con cui sono utilizzate le cinture. Inoltre, l'operatore deve valutare che l'ingombro del paziente non riduca la funzionalità del prodotto.
- Applicare sempre il numero di cinture previsto dal presidio di trasporto in uso.
- ! **Effettuare delle simulazioni di soccorso con le cinture applicate al prodotto con cui ne è previsto l'impiego e un carico simulante paziente e accessori, prima della messa in servizio del dispositivo.**
- Stabilire un programma di manutenzione e controlli periodici, identificando un addetto di riferimento. Il soggetto a cui viene affidata la manutenzione ordinaria del dispositivo deve garantire i requisiti di base previsti dal fabbricante, all'interno delle presenti istruzioni d'uso.
- Tutte le attività di manutenzione devono essere registrate e documentate con i relativi report di intervento tecnico la documentazione dovrà essere mantenuta almeno per 10 anni dal fine vita del dispositivo e dovrà essere messa a disposizione delle Autorità competenti e/o del fabbricante, quando richiesto.
- Evitare il contatto con oggetti taglienti.
- Seguire le procedure approvate dal Servizio Medico d'Emergenza per l'immobilizzazione e il trasporto del paziente.
- Seguire le procedure approvate dal Servizio Medico d'Emergenza per il posizionamento e il trasporto del paziente.
- ! Prima di ogni utilizzo verificare sempre l'integrità del dispositivo e delle sue componenti, come specificato nel manuale d'uso. In caso di anomalie o danni che possano compromettere la funzionalità e la sicurezza del dispositivo, quindi del paziente e dell'operatore, è necessario mettere fuori servizio il dispositivo.
- ! Non alterare o modificare arbitrariamente il dispositivo per adattarlo a condizioni d'uso non previste: la modifica potrebbe provocarne il funzionamento imprevedibile e danni al paziente o ai soccorritori e comunque la perdita della garanzia e sollevando il fabbricante da qualsiasi responsabilità.
- Per preservare la vita del dispositivo è necessario proteggerlo il più possibile dai raggi UV e dalle condizioni meteo avverse.
- ! Accertarsi che le fibbie siano adeguatamente ancorate al nastro e che siano integre e funzionanti.

## 7. RISCHIO RESIDUO

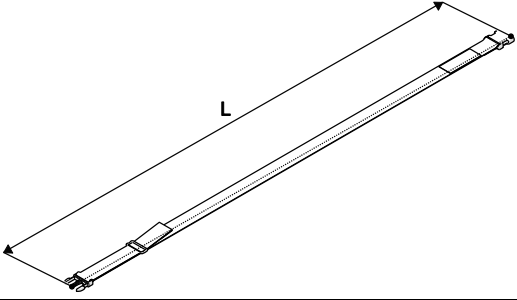
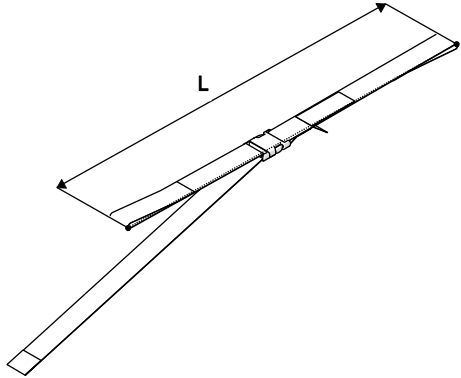
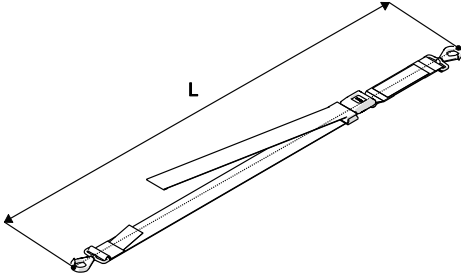
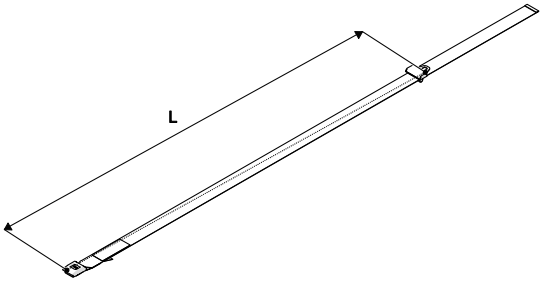
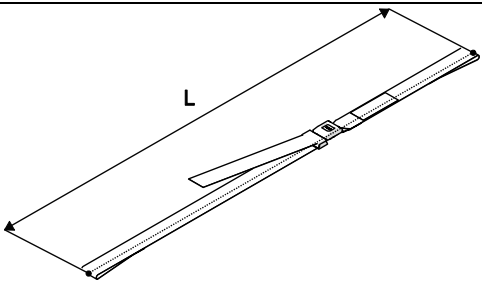
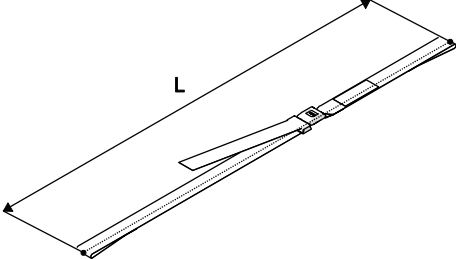
Non sono identificati rischi residui, ovvero rischi che si potrebbero originare nonostante il rispetto di tutte le avvertenze del presente manuale d'uso.

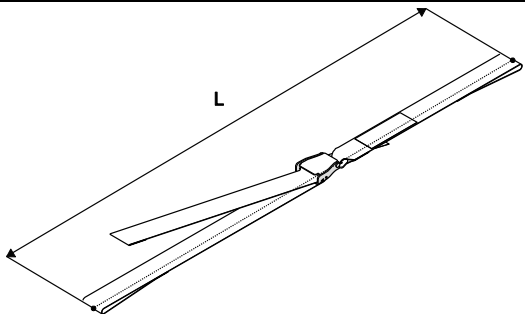
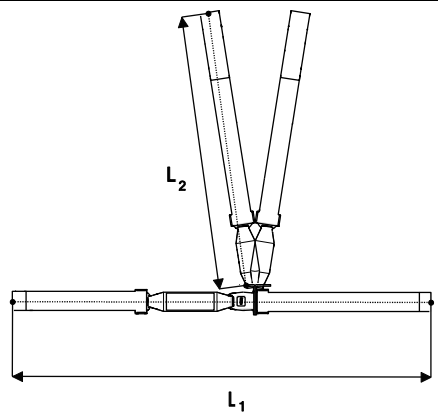
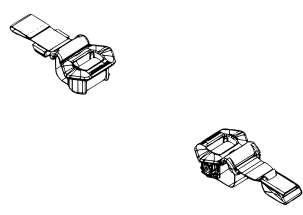
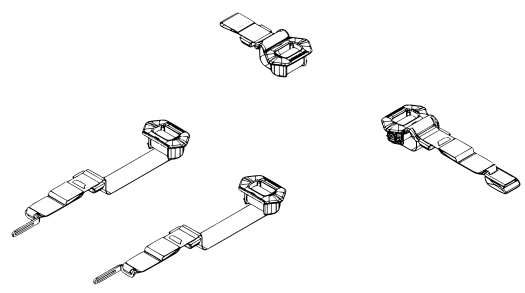
## 8. DATI TECNICI E COMPONENTI

*Nota: Spencer Italia S.r.l. si riserva il diritto di apportare modifiche alle specifiche senza darne preavviso.*



Id	Descrizione	Id	Descrizione
1	Fibbia metallo femmina	6	Moschettone
2	Gancio toracico	7	Gancio plastica femmina
3	Gancio metallo maschio	8	Gancio plastica maschio
4	Arrotolatore	9	Gancio alluminio maschio
5	Nastro cintura toracica	10	Gancio alluminio femmina

COMPONENTE CINTURA		MATERIALE	
Fibbia metallo		Acciaio cromato e plastica	
Fibbia plastica		Nylon	
Fibbia alluminio		Alluminio	
Nastro		Nylon	
MODELLO		L max (mm)	L min (mm)
STX 597		1900	400
STX 598		1500	700
STX 494		1600	450
STX 591 STX 701		1850	350
STX 592		1600	60
STX 702 STX 526		1600	600

STX 580		1600	700
STX 499		<b>L<sub>1</sub> max (mm)</b>	<b>L<sub>1</sub> min (mm)</b>
		1700	600
DNA STRAP		<b>L max nastro maschio</b>	<b>L max nastro femmina</b>
		800	500
DNA STRAP TORACICA		<b>L max nastro maschio</b>	<b>L max nastro femmina</b>
		800	700
		<b>L max nastri spalle</b>	
		1100	

## 9. MESSA IN FUNZIONE

Per il primo utilizzo, verificare che:

- L'imballo sia integro e abbia protetto il dispositivo durante il trasporto
- Controllare che siano presenti tutti i pezzi compresi nella lista di accompagnamento.
- Funzionalità generale del dispositivo
- Stato di pulizia del prodotto
- Assenza di taglio, fori, lacerazioni o abrasioni sull'intera struttura
- Stato di usura del dispositivo.
- Verificare il corretto funzionamento delle fibbie
- Verificare il corretto funzionamento dei moschettoni se presenti nel modello
- Verificare il corretto funzionamento dell'arrotolatore se presente nel modello

Verificare al paragrafo 11 le modalità d'uso per lo svolgimento delle verifiche sopra indicate.

Non modificare per nessun motivo il dispositivo nelle sue parti perché ciò potrebbe essere causa di danni al paziente e/o ai soccorritori.

**La mancanza delle misure sopra indicate, preclude la sicurezza nell'uso del dispositivo, con il conseguente rischio di danni per il paziente, gli operatori e il dispositivo stesso.**

**Per utilizzi successivi, effettuare le operazioni specificate al paragrafo 12.**

Se le condizioni riportate sono rispettate, il dispositivo può essere considerato pronto all'uso; in caso contrario è necessario togliere immediatamente il dispositivo dal servizio e contattare il Fabbricante.

Non alterare o modificare arbitrariamente il dispositivo; la modifica potrebbe provocarne il funzionamento imprevedibile e danni al paziente o ai soccorritori, inoltre invaliderà la garanzia, sollevando il Fabbricante da qualsiasi responsabilità.

## 10. CARATTERISTICHE FUNZIONALI

Per le caratteristiche di funzionamento, consultare il paragrafo 11 – Modalità d'uso

## 11. MODALITA' D'USO

Prima di intervenire sul paziente, devono essere effettuate delle valutazioni mediche primarie.

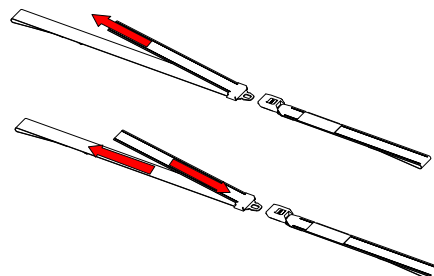
Prima di utilizzare qualsiasi tipologia di cintura descritta nel presente manuale, leggere attentamente le istruzioni d'uso del dispositivo con cui è previsto il loro impiego.

### 11.7 Regolazione della lunghezza

Le cinture, possono essere regolate in lunghezza, in modo da potersi adattare efficacemente al paziente in considerazione del dispositivo in uso.

Per stringere la cintura, tirare il capo libero della cintura in direzione opposta alla fibbia

Per allungare la cintura, premere il capo libero verso l'interno della fibbia, quindi tirare il nastro in uscita dalla fibbia. Ripetere l'operazione più volte fino a raggiungere la lunghezza desiderata.



### 11.8 Aggancio e sgancio della cintura

Tipologia di gancio	Aggancio	Sgancio
Metallo		
Plastica		
Alluminio		
Toracica		

### 11.9 Utilizzo delle cinture a 1 pezzo

Le cinture a 1 pezzo, sono indicate per l'utilizzo con:

- Materassi a depressione
- Barelle cucchiaino

Per applicare le cinture, stenderle al suolo, posizionare il dispositivo con cui le si vuole utilizzare al di sopra delle cinture, posizionare il paziente in accordo alle istruzioni del dispositivo in uso quindi procedere alla loro regolazione e chiusura in modo da solidarizzare il paziente al dispositivo stesso.

Verificare che l'operazione sia stata eseguita correttamente e che il paziente sia adeguatamente solidarizzato al dispositivo.

### 11.10 Utilizzo delle cinture a 2 pezzi

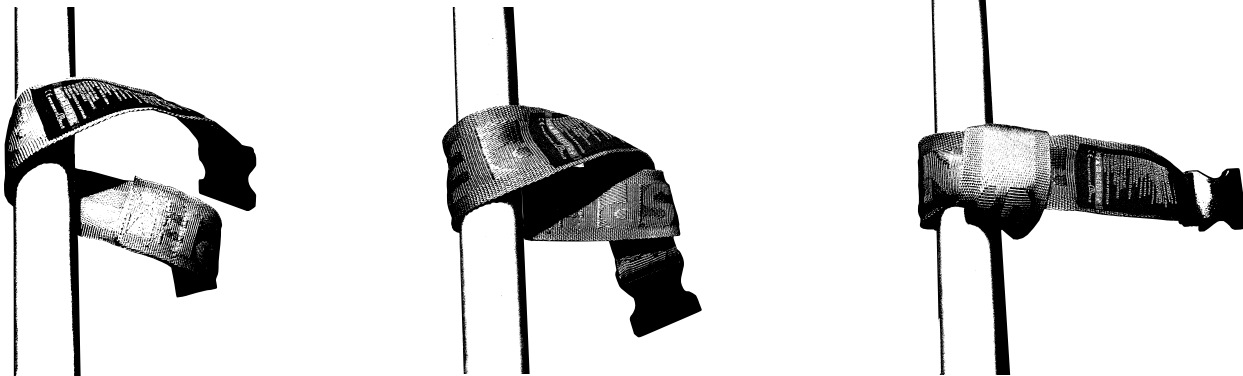
Le cinture a 2 pezzi, sono indicate per l'uso con:

- barelle per ambulanza
- barellini emergenza
- tavole spinali
- barelle cucchiaio
- materassi a depressione dotati di corda perimetrale
- barelle basket
- sedie portantine
- sedie scendiscala

La scelta della tipologia di fibbia è legata alle specifiche di impiego del dispositivo in uso.

Per applicare le cinture due pezzi, identificare il punto del dispositivo in cui queste devono essere applicate in accordo alle istruzioni del dispositivo stesso. Avvolgere la porzione del telaio interessata, quindi applicare la cintura facendo un cappio con la stessa.

Regolarne la lunghezza e chiuderle in modo da solidarizzare il paziente al dispositivo.



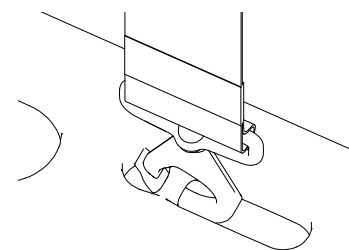
### 11.11 Utilizzo delle cinture con moschettone

Le cinture con moschettone, sono indicate per l'uso con:

- tavole spinali dotate di PIN
- materassi a depressione dotati di asole dedicate alla loro applicazione.

Per applicarle, identificare il PIN o l'asola a cui applicare il moschettone, quindi premere la parte mobile del moschettone verso il PIN o l'asola facendoli entrare dentro al moschettone.

Dopo aver verificato la corretta applicazione della cintura, regolarne la lunghezza e chiuderle in modo da solidarizzare il paziente al dispositivo.

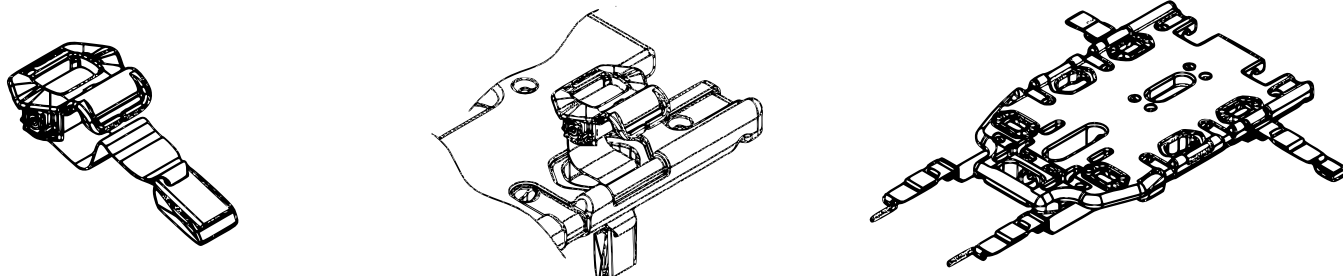
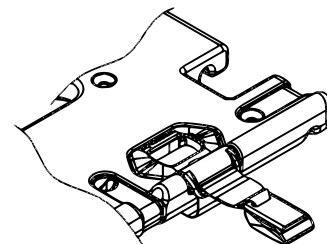


### 11.12 Installazione DNA strap

Le cinture DNA strap, sono indicate per l'uso con barelle dotate di piano paziente con sedi dedicate.

Per applicarle procedere nel seguente modo:

- 1 – Svincolare il nastro dalla sede presente nell'arrotolatore.
- 2 – Infilare il sistema DNA, mantenendo in tensione il nastro, nella cavità apposta presente nella scocca del pianale. Il nastro maschio e quello femmina devono essere rispettivamente a sinistra e a destra del pianale.
- 3 – Rimettere le cinture nella fessura dell'arrotolatore DNA completando l'installazione
- 4 – Procedere analogamente per i sistemi toracici



Dopo aver posizionato il paziente, allacciare le cinture e verificarne la corretta applicazione.

DNA straps non sono dotate di un pretensionatore. E' quindi necessario procedere alla loro regolazione manuale dopo averle allacciate, mettendo in tensione le cinghie portando a fine corsa l'arrotolatore.

Una regolazione non corretta rende il dispositivo non sicuro e inefficace.



## 12. PULIZIA E MANUTENZIONE

Spencer Italia S.r.l. declina ogni responsabilità per qualsiasi danno, diretto o indiretto, che sia conseguenza di un utilizzo improprio del prodotto e dei pezzi di ricambio e/o comunque di qualsiasi intervento di riparazione effettuato da soggetto diverso dal Fabbricante, che si avvale di tecnici interni ed esterni specializzati a ciò autorizzati; inoltre la garanzia risulta invalidata.

- Durante tutte le operazioni di controllo, manutenzione ed igienizzazione l'operatore deve indossare adeguati dispositivi di protezione individuali, quali guanti, occhiali, etc.
- Stabilire un programma di manutenzione, controlli periodici e proroga del tempo di vita medio, se previsto dal Fabbricante nel Manuale d'Uso, identificando un addetto di riferimento, che sia in possesso dei requisiti di base definiti nel Manuale d'Uso.
- **La frequenza dei controlli è determinata da fattori quali le prescrizioni di legge, il tipo di utilizzo, la frequenza di utilizzo, le condizioni ambientali durante l'uso e lo stoccaggio.**
- La riparazione dei prodotti realizzati da Spencer Italia S.r.l. deve essere necessariamente effettuata dal Fabbricante, che si avvale di tecnici interni o esterni specializzati i quali, utilizzando ricambi originali, forniscono un servizio di riparazione di qualità in stretta conformità alle specifiche tecniche indicate dal Produttore. Spencer Italia S.r.l. declina ogni responsabilità per qualsiasi danno, diretto o indiretto, che sia conseguenza di un utilizzo improprio dei pezzi di ricambio e/o comunque di qualsiasi intervento di riparazione effettuato da soggetti non autorizzati.
- Il ricondizionamento, processo eseguito sul dispositivo per consentirne il ripristino della sicurezza tecnica e funzionale del dispositivo usato, esempio reimmatricolazione, deve essere eseguito dal Fabbricante.
- Tutte le attività di manutenzione e revisione devono essere registrate e documentate con i relativi report di intervento tecnico; la documentazione dovrà essere mantenuta almeno per 10 anni dal fine vita del prodotto e dovrà essere messa a disposizione delle Autorità competenti e/o del Fabbricante, quando richiesto.
- La pulizia, prevista per i prodotti riutilizzabili, deve essere eseguita nel rispetto delle indicazioni fornite dal Fabbricante nel Manuale d'Uso, al fine di evitare il rischio di infezioni crociate dovute alla presenza di secreti e/o residui.

## 12.1 PULIZIA

La mancata esecuzione delle operazioni di pulizia può comportare il rischio di infezioni crociate dovute alla presenza di secreti e/o residui. Durante tutte le operazioni di controllo e igienizzazione l'operatore deve indossare adeguati dispositivi di protezione individuali, quali guanti, occhiali etc.

Le eventuali parti metalliche esposte agli agenti esterni subiscono trattamenti superficiali e/o verniciatura al fine di ottenere una migliore resistenza. Lavare le parti esposte con acqua tiepida e sapone neutro; **non usare mai solventi o smacchianti.**

Risciacquare accuratamente con acqua tiepida verificando di avere eliminato ogni traccia di sapone, che potrebbe deteriorarla o comprometterne l'integrità e la durata. **Evitare l'uso di acqua ad alta pressione**, poiché questa penetra nei giunti creando il rischio di corrosione dei componenti. Lasciare asciugare perfettamente prima di riporlo. L'asciugatura dopo il lavaggio oppure dopo l'utilizzo in ambiente umido deve essere naturale e non forzata; non utilizzare fiamme o altre fonti di calore diretto.

Nel caso di eventuale **disinfezione** utilizzare prodotti che, oltre ad essere classificati come presidi medico-chirurgici, non abbiano azione solvente o corrosiva su materiali costituenti il dispositivo. Assicurarsi di aver preso tutte le precauzioni idonee a garantire che non sussistano rischi di infezioni crociate o contaminazioni di pazienti e operatori.

Nel caso di prodotti monouso non è prevista una pulizia salvo che il prodotto sia correttamente stoccato e imballato come da specifiche del fabbricante.

## 12.2 MANUTENZIONE ORDINARIA

E' necessario stabilire un programma di controlli periodici, identificando un addetto di riferimento. Il soggetto a cui viene affidata la manutenzione del dispositivo deve garantire i requisiti di base previsti nel presente manuale d'uso.

Tutte le attività di manutenzione, devono essere registrate e documentate con i relativi report di intervento tecnico. Tale documentazione dovrà essere mantenuta almeno per 10 anni dal fine vita del dispositivo e dovrà essere messa a disposizione delle Autorità competenti e/o del Fabbricante, quando richiesto.

Durante tutte le operazioni di controllo, manutenzione ed igienizzazione l'operatore deve indossare adeguati dispositivi di protezione individuali, quali guanti, occhiali, etc.

Il dispositivo non richiede un programma di manutenzione ordinaria, ma è necessario effettuare controlli prima e dopo ogni utilizzo, intesi a verificare:

- Funzionalità generale del dispositivo
- Stato di pulizia del dispositivo (si ricorda che la mancata esecuzione delle operazioni di pulizia può comportare il rischio di infezioni crociate)
- Soddisfacimento dei requisiti previsti dal manuale d'uso nella sezione 5 Avvertenze e 6 Avvertenze specifiche
- Soddisfacimento dei requisiti previsti dal manuale nella sezione 11 Modalità d'uso

Utilizzare solo componenti/ parti di ricambio e/o accessori originali o approvati da Spencer Italia S.r.l., in modo da effettuare ogni operazione senza causare alterazioni, modifiche al dispositivo; in caso contrario si declina ogni responsabilità sul funzionamento non corretto o su eventuali danni provocati dal dispositivo stesso al paziente o all'operatore, invalidandone la garanzia e facendo decadere la conformità al Regolamento UE 2017/745.

### 12.3 REVISIONE PERIODICA

Non è prevista una revisione periodica per il dispositivo.

### 12.4 MANUTENZIONE STRAORDINARIA

Non è prevista manutenzione straordinaria per questi dispositivi.

## 12.5 TEMPO DI VITA

**Il dispositivo, se utilizzato come riportato nelle seguenti istruzioni, ha un tempo di vita di 2 anni dalla data di acquisto.**

Spencer Italia S.r.l. declina ogni responsabilità sul funzionamento non corretto o su eventuali danni provocati dall'utilizzo di dispositivi che abbiano superato il tempo di vita massimo ammesso.

### 13. TABELLA GESTIONE GUASTI

PROBLEMA	CAUSA	RIMEDIO
Non è possibile agganciare la fibbia in plastica	La fibbia non è stata correttamente inserita	Inserire la fibbia prestando attenzione affinché la parte maschio e femmina siano correttamente allineate e che una delle due non sia capovolta
Non è possibile agganciare la fibbia in metallo		
<b>La fibbia in metallo non si sgancia</b>	<b>Componenti interne danneggiate</b>	Mettere immediatamente il dispositivo fuori servizio e sostituirlo con uno analogo
L'arrotolatore delle cinture DNA non funziona	Rottura o snervamento della molla interna	Mettere immediatamente il dispositivo fuori servizio e sostituirlo con uno analogo

Nel caso il problema o guasto rilevato non corrisponda a quanto sopra indicato contattare il servizio assistenza Spencer Italia srl.

### 14. ACCESSORI

Non sono presenti accessori per questi dispositivi

### 15. RICAMBI

Non sono presenti ricambi per questi dispositivi

### 16. SMALTIMENTO

Una volta inutilizzabili i dispositivi, ed i loro accessori, qualora non siano stati contaminati da agenti particolari, possono essere smaltiti come normali rifiuti solidi urbani, altrimenti attenersi alle norme vigenti in materia di smaltimento.

# INHALTSVERZEICHNIS

---

<b>1. MODELLE</b>	<b>25</b>
<b>2. VERWENDUNGSZWECK</b>	<b>25</b>
2.1    VERWENDUNGSZWECK UND KLINISCHER NUTZEN	25
2.2    ZIELPATIENTEN	25
2.3    AUSWAHLKRITERIEN FÜR PATIENTEN	25
2.4    GEGENANZEIGEN UND UNERWÜNSCHTE NEBENWIRKUNGEN	25
2.5    ANWENDER UND TECHNIKER	25
2.5.1    ANWENDERAUSBILDUNG	25
2.5.2    AUSBILDUNG INSTALLATEUR	25
<b>3. BEZUGSRICHTLINIEN</b>	<b>25</b>
<b>4. EINLEITUNG</b>	<b>26</b>
4.1    GEBRAUCH DES HANDBUCHS	26
4.2    TYPENSCHILDER UND RÜCKVERFOLGBARKEIT DES PRODUKTS	26
4.3    SYMBOLE	26
4.4    GARANTIE UND KUNDENDIENST	26
<b>5. WARNUNGEN/GEFAHREN</b>	<b>27</b>
<b>6. SPEZIFISCHE HINWEISE</b>	<b>28</b>
<b>7. RESTRISIKO</b>	<b>28</b>
<b>8. TECHNISCHE DATEN UND KOMPONENTEN</b>	<b>28</b>
<b>9. INBETRIEBNAHME</b>	<b>30</b>
<b>10. ANWENDUNGSEIGENSCHAFTEN</b>	<b>31</b>
<b>11. GEBRAUCHSWEISE</b>	<b>31</b>
11.1    REGULIERUNG DER LÄNGE	31
11.2    VER- UND ENTRIEGELN DES GURTES	31
11.3    VERWENDUNG DER GURTE MIT 1 STÜCK	31
11.4    VERWENDUNG DER GURTE MIT 2 STÜCKEN	32
11.5    VERWENDUNG DER GURTE MIT KARABINERHAKEN	32
11.6    MONTAGE DES DNA-GURTS	32
<b>12. REINIGUNG UND WARTUNG</b>	<b>33</b>
12.1    REINIGUNG	33
12.2    ORDENTLICHE WARTUNG	33
12.3    REGELMÄSSIGE REVISION	34
12.4    AUSSERORDENTLICHE WARTUNG	34
12.5    LEBENSDAUER	34
<b>13. SCHADENSTABELLE</b>	<b>34</b>
<b>14. ZUBEHÖR</b>	<b>34</b>
<b>15. ERSATZTEILE</b>	<b>34</b>
<b>16. ENTSORGUNG</b>	<b>34</b>

#### Hinweis

Die in diesem Dokument enthaltenen Informationen können ohne Vorankündigung geändert werden und stellen eine Verpflichtung der Spencer Italia S.r.l. dar, die Änderungen unterworfen ist. Die Produkte von Spencer werden in viele Länder exportiert, in denen nicht immer die gleichen Regeln gelten. Daher kann es zu Unterschieden zwischen den hier beschriebenen und den zugelieferten Produkten kommen. Wir bitten daher um Ihr Verständnis, dass wir uns das Recht vorbehalten, jederzeit Änderungen des Lieferumfangs in Form, Ausrüstung, Ausstattung und Technik gegenüber den hier vereinbarten Angaben vorzunehmen.

© copyright spencer italia s.r.l.

Alle Rechte vorbehalten. Kein Teil des Dokuments darf ohne die vorherige schriftliche Zustimmung von Spencer Italia S.r.l. fotokopiert, nachgedruckt oder in eine andere Sprache übersetzt werden.



## 1. MODELLE

Die nachfolgenden Basismodelle können ohne Vorankündigung ergänzt oder geändert werden.

MODELL	GURTTYP	HAKEN
STX 597	1 STÜCK	KUNSTSTOFF
STX 598	2 STÜCK	KUNSTSTOFF
STX 591	1 STÜCK	METALL
STX 494	2 STÜCK	KARABINERHAKEN
STX 592	2 STÜCK	METALL
STX 526	2 STÜCK	METALL
STX 701	1 STÜCK	METALL
STX 702	2 STÜCK	METALL
STX 580	2 STÜCK	ALUMINIUM
STX 499	4 STÜCK FÜR BRUSTKORB	METALL
DNA-GURT	2 STÜCK MIT GURTAUFROLLER	METALL
DNA-GURT FÜR BRUSTKORB	4 STÜCK MIT GURTAUFROLLER	METALL

## 2. VERWENDUNGSZWECK

### 2.1 VERWENDUNGSZWECK UND KLINISCHER NUTZEN

Haltegurte sind Hilfsmittel, die dazu dienen, ein Maß an Halterung zu erreichen, mit dem der Patient sicher transportiert werden kann, wenn sie entsprechend dem verwendeten Produkt angewendet werden.

### 2.2 ZIELPATIENTEN

Es bestehen keine besonderen Indikationen für bestimmte Patientengruppen.

Weitere Nutzungsbeschränkungen können in Zusammenhang mit dem Gerät stehen, mit dem der Gurt verwendet wird. Hierzu wird auf das Benutzerhandbuch des verwendeten Transportgeräts verwiesen.

### 2.3 AUSWAHLKRITERIEN FÜR PATIENTEN

Die Auswahlkriterien für erwartete Patienten sind diejenigen, die für das Gerät gelten, mit dem der Gurt verwendet wird.

### 2.4 GEGENANZEIGEN UND UNERWÜNSCHTE NEBENWIRKUNGEN

Es bestehen keine Gegenanzeigen oder Nebenwirkungen durch den Gebrauch des Geräts, sofern es gemäß Handbuch angewendet wird:

### 2.5 ANWENDER UND TECHNIKER

Das vorgesehene Anwendungspersonal sind Rettungskräfte mit Erfahrung für die Bewegung, die Immobilisierung und den Transport des Patienten.

Die Geräte sind nicht für unfachmännische Anwender bestimmt

Die Haltegurte sind ausschließlich für den professionellen Gebrauch bestimmt. Nicht geschulte Personen dürfen während des Gebrauchs des Produkts keine Hilfe leisten, da dies zu Verletzungen an ihnen selbst oder an anderen führen könnte.

Trotz aller Anstrengungen, Labortests, Abnahmeprüfungen und Gebrauchsanweisungen entsprechen die Bestimmungen nicht immer den praktischen Anwendungen, daher können Ergebnisse unter realen Gebrauchsbedingungen des Produkts im Einsatzfeld mitunter deutlich von ihnen abweichen.

Die besten Anleitung ist der stete Gebrauch unter Aufsicht von erfahrenem und ausgebildetem Personal

Die Einsatzkräfte, die ihn verwenden, müssen die körperliche Leistungsfähigkeit und eine gute Muskelkoordination besitzen. Die Fähigkeiten des Personals müssen vor Festlegung der Aufgabenverteilung beim Einsatz des Geräts geprüft werden.

**Die Rettungskräfte müssen in der Lage sein, dem Patienten im Bedarfsfall beistehen zu können.**

#### 2.5.1 ANWENDERAUSBILDUNG

- Unabhängig von den in Vergangenheit mit ähnlichen Geräten erworbenen Erfahrungen muss der Inhalt dieses Handbuchs aufmerksam gelesen und auch verstanden werden, bevor das Produkt zusammengebaut und einsatzbereit gemacht wird oder Wartungsarbeiten an ihm vorgenommen werden. Bei Zweifel wenden Sie sich für weitere Erläuterungen an Spencer Italia S.r.l.
- Das Produkt darf nur von Personal angewendet werden, das im Gebrauch dieses und nicht eines anderen, ähnlichen Produkts geschult ist.
- Die Eignung der Anwender für den Gebrauch des Produkts kann durch die Eintragung der Schulung bescheinigt werden, in der die geschulten Personen, die Ausbilder sowie Datum und Ort angegeben sind. **Diese Dokumentation muss für mindestens 10 Jahre nach dem Lebensende des Produkts aufbewahrt werden und muss den zuständigen Behörden und/oder dem Hersteller auf Anfrage zur Verfügung gestellt werden. Geschieht dies nicht, werden von den zuständigen Stellen entsprechende Sanktionen erhoben.**
- Nicht geschulte Personen dürfen während des Gebrauchs des Produkts keine Hilfe leisten, da dies zu Verletzungen an ihnen selbst oder an anderen führen könnte.

*Hinweis: Spencer Italia S.r.l. steht immer zur Durchführung von Ausbildungskursen zur Verfügung.*

#### 2.5.2 AUSBILDUNG INSTALLATEUR

Der Monteur der DNA-Gurte muss in den Inhalt dieses Handbuchs kennen und sicherstellen, dass die Anbringung dieser Vorrichtung fachgerecht vorgenommen wurde, wie in Abs. 11.6 beschrieben.

Für die anderen in diesem Handbuch beschriebenen Vorrichtungen ist keine Montage vorgesehen

## 3. BEZUGSRICHTLINIEN

**Der Händler oder Endanwender der von Spencer Italia S.r.l. hergestellten und/oder vermarkteten Produkte ist verpflichtet die im Bestimmungsland der Waren geltenden gesetzlichen Bestimmungen zu kennen, die auf die zu liefernden Geräte anwendbar sind**

(darunter die Vorschriften zu den technischen Angaben und/oder Sicherheitsanforderungen), und muss daher die Anforderungen kennen, die für die Übereinstimmung der betreffenden Produkte mit den gesetzlichen Bestimmungen des Landes benötigt werden.

BEZUG	TITEL DES DOKUMENTS
Verordnung EU 2017/745	EU-Verordnung zu medizinischen Geräten

#### 4. EINLEITUNG

##### 4.1 GEBRAUCH DES HANDBUCHS

Dieses Handbuch hat den Zweck, dem Notfallsanitäter die Informationen zu liefern, die für einen sicheren und bestimmungsgemäßen Gebrauch und für eine angemessene Wartung des Geräts benötigt werden.

*Hinweis: Das Handbuch ist fester Bestandteil des Geräts. Es muss daher für die gesamte Lebensdauer aufbewahrt werden und muss dem Gerät bei etwaigem Wechsel des Bestimmungsortes oder des Eigentümers beiliegen. Falls Gebrauchsanweisungen vorliegen, die sich auf ein Produkt beziehen, das von dem gelieferten abweicht, muss sich vor der Anwendung sofort an den Hersteller gewendet werden.*

Die Benutzerhandbücher der Produkte von Spencer können von der Internetseite <http://support.spencer.it> heruntergeladen werden, oder man wendet sich an den Hersteller. Ausgenommen sind Artikel, deren Eigenart und vernunftmäßig vorhersehbarer Gebrauch zusätzlich zu den folgenden Warnhinweisen und Hinweisen auf dem Typenschild keine Benutzeranleitung erforderlich machen.

Unabhängig von den in Vergangenheit mit ähnlichen Geräten erworbenen Erfahrungen sollte dieses Handbuchs aufmerksam gelesen und auch verstanden werden, bevor das Produkt zusammengebaut und einsatzbereit gemacht wird oder Wartungsarbeiten an ihm vorgenommen werden.

##### 4.2 TYPENSCHILDER UND RÜCKVERFOLGBARKEIT DES PRODUKTS










Jedes Produkt ist mit einem Typenschild versehen, das sich am Gerät und/oder an der Verpackung befindet, auf dem die Kennzeichnungsdaten der Herstellers, des Produkts, die CE-Kennzeichnung, die Seriennummer (SN) oder die Losnummer (LOT) angegeben ist. Dieses Schild darf niemals entfernt oder abgedeckt werden.

Bei Beschädigung oder einer Abnahme kann beim Hersteller um ein Duplikat angefragt werden, da ansonsten die Gültigkeit der Garantie verfällt, da das Gerät nicht mehr rückverfolgbar ist.

Falls die zugewiesene Losnummer/SN nicht mehr feststellbar ist, muss das Gerät überholt werden, wozu nur der Herstellers verantwortlich ist.

Die Verordnung EU 2017/754 verpflichtet die Hersteller und die Händler von medizinischen Geräten, deren Standort aufzuzeichnen. Wenn das Gerät sich an einem Sitz befindet, der von der Lieferadresse abweicht, oder es verkauft, verschenkt, verloren, gestohlen, exportiert oder zerstört, dauerhaft außer Gebrauch genommen wurde, oder wenn das Gerät nicht direkt von Spencer Italia S.r.l. geliefert wurde, muss es unter der Internetadresse <http://service.spencer.it> registriert werden, oder der Kundendienst (vgl. § 4.4) ist zu benachrichtigen.

##### 4.3 SYMBOLE

Symbol	Bedeutung
	Gerät in Übereinstimmung mit der EU-Verordnung 2017/745
	Medizinisches Gerät
	Hersteller
	Herstellungsdatum
	Gefahr - Weist auf eine Gefahrensituation hin, die direkt zu schweren oder tödlichen Verletzungen führen kann.
	Im Handbuch nachsehen
	Losnummer
	Produktcode
	Unique Device Identifier (Geräteerkennung)

##### 4.4 GARANTIE UND KUNDENDIENST

Spencer Italia S.r.l. garantiert, dass die Produkte für die Dauer von einem **Jahr ab Kaufdatum** ohne Defekte sind.

Für Informationen zur richtigen Auslegung der Anweisungen, des Gebrauchs, Wartung, Installation und Zustellung wenden Sie sich bitte an den Kundendienst von Spencer Tel. +39 0521 541154, Fax +39 0521 541222, E-Mail [service@spencer.it](mailto:service@spencer.it).

Um den Kundendienstservice zu vereinfachen, bitte immer die Losnummer (LOT) oder Seriennummer (SN) angeben, die auf dem Typenschild auf der Verpackung oder dem Gerät angebracht ist.

Die Garantie- sowie Kundendienstbedingungen sind auf der Internetseite <http://support.spencer.it> einsehbar.

*Hinweis:*

*Vermerken und mit diesen Anweisungen aufbewahren: Los- (LOT) oder Seriennummer (SN), falls vorhanden, Ort und Datum des Kaufs, Datum des ersten Gebrauchs, Prüfdatum, Benutzername und Kommentare.*

## 5. WARNUNGEN/GEFAHREN



Warnungen, Gefahren, Hinweise und weitere wichtige Sicherheitsinformationen sind in diesem Abschnitt angegeben und im ganzen Handbuch deutlich sichtbar gemacht.

Mindestens alle 6 Monate muss überprüft werden, ob aktualisierte Anweisungen und ihr Produkt betreffende Änderungen vorliegen. Diese Informationen sind frei auf der Internetseite [www.spencer.it](http://www.spencer.it) auf der betreffenden Produktseite einsehbar.

### Gebrauchsweise des Produkts



**Jeder Gebrauch des Produkts, der von dem in diesem Benutzerhandbuch beschriebenen abweicht, ist verboten.**

- Vor jedem Gebrauch ist immer zu überprüfen, dass das Produkt unbeschädigt ist, wie im Benutzerhandbuch angegeben, und bei Anomalien/Beschädigungen, die die Verwendbarkeit/Sicherheit beeinträchtigen können, muss es sofort außer Dienst genommen und der Hersteller benachrichtigt werden.
- Bei einem festgestellten Produktdefekt sofort ein gleichartiges Gerät benutzen, um die laufende Verwendung aufrechtzuerhalten. Das nicht mehr einsatztaugliche Gerät muss außer Gebrauch genommen werden.
- Das Produkt darf ohne Genehmigung des Herstellers nicht verfälscht und verändert werden (Änderungen, Anpassungen, Hinzufügungen, Reparaturen), da daraus Verletzungsgefahren für Personen sowie Materialschäden entstehen können. Andernfalls wird keinerlei Haftung für den nicht korrekten Einsatz oder für Schäden übernommen, die durch das Produkt selbst verursacht werden; ferner verfallen die CE-Kennzeichnung und die Produktgarantie.
- Beim Gebrauch der Geräte sind sie so zu positionieren und zu einzustellen, dass sie die Arbeiten der Anwender und der Einsatz etwaiger anderer Geräte nicht behindern.
- Sicherstellen, dass alle Vorsichtsmaßnahmen getroffen wurden, um Gefahren durch Kontakt mit Blut oder Körpersekreten zu verhindern, sofern dies möglich ist.
- Den Kontakt mit scharfen oder scheinenden Gegenständen vermeiden.
- Einsatztemperatur: von -5°C bis +50°C



### Lagerung

- Das Produkt darf weder Verbrennungshitze und entzündbaren Stoffen ausgesetzt noch darf es mit ihnen in Kontakt kommen, sondern muss an einem trockenen, kühlen und vor Licht und Sonneneinstrahlung geschütztem Ort gelagert werden.
- Das Gerät nicht unter anderen mehr oder weniger schweren Materialien lagern, die es beschädigen können.
- Das Produkt in seiner Originalverpackung lagern und transportieren, da ansonsten die Garantie verfällt.
- Lagertemperatur: von -10°C bis +60°C

### Regulatorische Anforderungen

**Der Händler oder Endanwender der von Spencer Italia S.r.l. hergestellten und/oder vermarkteten Produkte ist verpflichtet die im Bestimmungsland der Waren geltenden gesetzlichen Bestimmungen zu kennen, die auf die zu liefernden Geräte anwendbar sind (darunter die Vorschriften zu den technischen Angaben und/oder Sicherheitsanforderungen), und muss daher die Anforderungen kennen, die für die Übereinstimmung der betreffenden Produkte mit den gesetzlichen Bestimmungen des Landes benötigt werden.**

- Spencer Italia S.r.l. ist umgehend und genau zu informieren (bereits bei Anfrage eines Kostenvoranschlags), wenn vom Hersteller etwaige Anforderungen eingehalten werden müssen, die für die Übereinstimmung der Produkte mit spezifischen gesetzlichen Bestimmungen des Gebiets erforderlich sind (darunter solche, die durch Verordnungen und/oder gesetzlichen Bestimmungen anderer Art herrühren).
- Mit der gebührenden Sorgfalt und Gewissenhaftigkeit dazu beitragen, dass die allgemeinen Sicherheitsanforderungen an die in Verkehr gebrachten Produkte eingehalten werden, indem den Endbenutzern alle Informationen zur Verfügung gestellt werden, die zur Durchführung der regelmäßigen Überprüfung der gelieferten Produkte erforderlich sind, genau wie im Benutzerhandbuch angegeben.
- **Teilnahme an der Sicherheitsprüfung des in Verkehr gebrachten Produkts**, indem die Informationen zu den Produktrisiken dem Hersteller sowie den Behörden, in deren Zuständigkeit die Handlungen liegen, übermittelt werden.
- Unbeschadet des Gesagten übernimmt der Händler oder Endbenutzer von nun an die weitest gehende Haftung im Zusammenhang mit der Nichteinhaltung der oben genannten Verpflichtungen und verpflichtet sich daher, Spencer Italia S.r.l. schadlos zu halten und/oder von allen nachteiligen Auswirkungen freizustellen.
- Unter Verweis auf die EU-Verordnung 2017/745 wird daran erinnert, dass öffentliche oder private Anwender, die bei Durchführung ihrer Tätigkeiten einen Unfall feststellen, an dem ein medizinisches Produkt beteiligt ist, außer dem Hersteller innerhalb der durch ein oder mehrere Ministerialerlasse festgelegten Fristen und Modalitäten dem Gesundheitsministerium Mitteilung machen müssen. Angestellte öffentlicher oder privater Gesundheitsdienste müssen den Hersteller über alle anderen Störungen informieren, die es ermöglichen, Maßnahmen zum Schutz und zur Sicherstellung der Gesundheit von Patienten und Anwendern zu ergreifen.

### Allgemeine Hinweise zu medizinischen Geräten

**Der Anwender muss aufmerksam neben den allgemeinen auch die nachfolgend aufgeführten Hinweise lesen.**

- Es ist nicht vorgesehen, dass die Anwendung des Geräts länger dauert als die Zeit, die für die ersten Maßnahmen und den anschließenden Transport zur nächstgelegenen Rettungsstelle erforderlich ist.



- Während des Gebrauchs des Geräts muss die Beihilfe von Fachpersonal sichergestellt sein und es müssen mindestens zwei Rettungshelfer zugegen sein.
- ⚠ • Das Gerät nicht benutzen, wenn an ihm oder Teilen von ihm Löcher, Abrisse, Ausfransungen oder übermäßiger Verschleiß bemerkt werden.
- Die durch Ihre Organisation erlassenen internen Verfahren und Protokolle anwenden.
- ⚠ • Das Gerät nicht absichtlich verfälschen oder abändern. Die Änderung könnte ein unvorhergesehenes Nutzungsverhalten verursachen und den Patienten oder das Rettungspersonal schädigen und würde die Garantie verfallen lassen und den Hersteller von allen Haftungen entbinden.
- Keine Trocknungsgeräte zur Trocknung des Geräts verwenden.
- Bei freiliegender und/oder verletzter Haut sind die mit dem Patienten in Kontakt stehenden Flächen mit einem OP-Tuch abzudecken, das den Biokompatibilitätsvorschriften entspricht, um die Gesundheit des Patienten zu schützen.

## 6. SPEZIFISCHE HINWEISE

Vor der Nutzung der Haltegurte müssen auch sorgfältig alle Angaben in diesem Benutzerhandbuch gelesen, verstanden und befolgt werden.

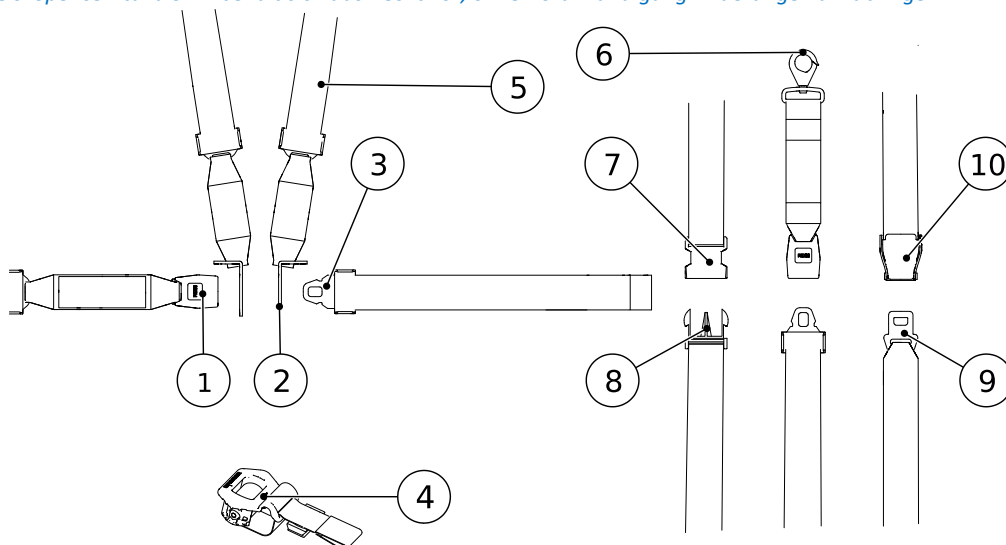
- ⚠ • Immer die Positionsangaben beachten, die von dem Gerät vorgegeben sind, mit dem die Gurte benutzt werden. Zudem muss der Anwender berücksichtigen, dass die Maße des Patienten nicht die Verwendbarkeit des Produkts beeinträchtigt.
- Immer die Anzahl an Gurten anbringen, die von der verwendeten Transporteinrichtung vorgesehen sind.
- ⚠ • **Mit den Gurten, die am für den Einsatz vorgesehenen Produkt angebracht sind, Rettungssimulationen und einer den Patienten simulierenden Last und Zubehör durchzuführen.**
- Unter Angaben eines zuständigen Beschäftigten sind ein Wartungsprogramm und regelmäßige Prüfungen zu bestimmen. Die Person, der die ordentliche Wartung des Geräts anvertraut ist, muss die vom Hersteller vorgesehenen Grundanforderungen im Rahmen dieser Gebrauchsanweisungen sicherstellen.
- Alle Wartungstätigkeiten müssen eingetragen und mit den entsprechenden technischen Tätigkeitsberichten dokumentiert werden. Die Dokumentation muss für mindestens 10 Jahre ab Lebensende des Geräts aufbewahrt werden und muss auf Anfrage den zuständigen Behörden und/oder dem Hersteller zur Verfügung gestellt werden.
- Den Kontakt mit scharfen Gegenständen vermeiden.
- Die vom Medizinischen Notfalldienst genehmigten Verfahren für die Ruhigstellung und den Patiententransport befolgen.
- Die vom Medizinischen Notfalldienst genehmigten Verfahren für die Positionierung und den Patiententransport befolgen.
- ⚠ • Vor jedem Gebrauch ist immer die Unversehrtheit des Geräts und seiner Komponenten zu überprüfen, wie im Benutzerhandbuch ausgewiesen. Bei Anomalien oder Schäden, die die Verwendbarkeit und die Sicherheit des Geräts und somit des Patienten und der Einsatzkraft gefährden können, darf das Gerät nicht mehr benutzt werden.
- ⚠ • Die Vorrichtung nicht absichtlich verfälschen oder abändern, um sie nicht vorgesehenen Einsatzbedingungen anzupassen. Die Änderung könnte ein unvorhergesehenes Nutzungsverhalten verursachen und den Patienten oder das Rettungspersonal schädigen und würde die Garantie verfallen lassen und den Hersteller von allen Haftungen entbinden.
- ⚠ • Um die Lebensdauer des Geräts zu bewahren, muss es möglichst vor UV-Strahlen und widrigen Wetterverhältnissen geschützt werden.
- Sicherstellen, dass das Gurtschloss fest am Gurt befestigt, unversehrt und einsatzbereit sind.

## 7. RESTRISIKO

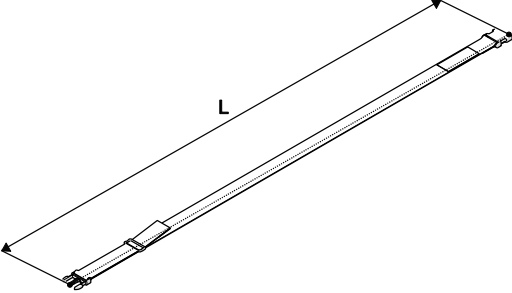
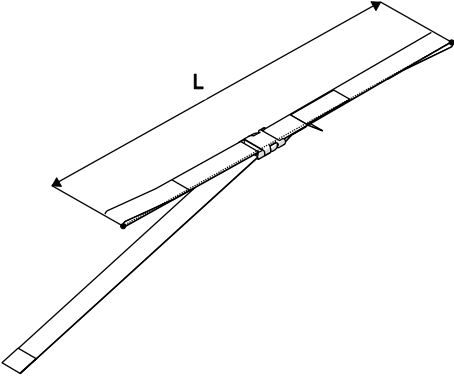
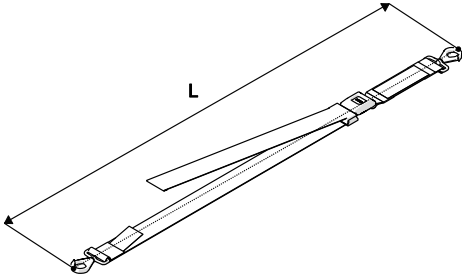
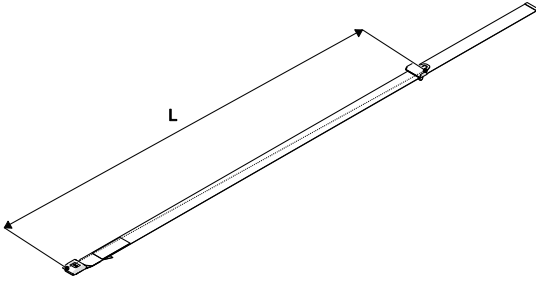
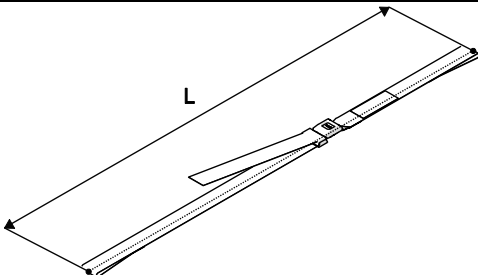
Restrisiken sind nicht gegeben, also Risiken, die sich trotz Einhaltung aller Hinweise dieses Benutzerhandbuchs ereignen könnten.

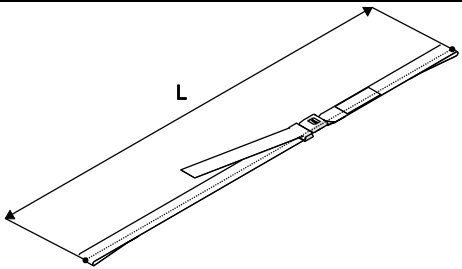
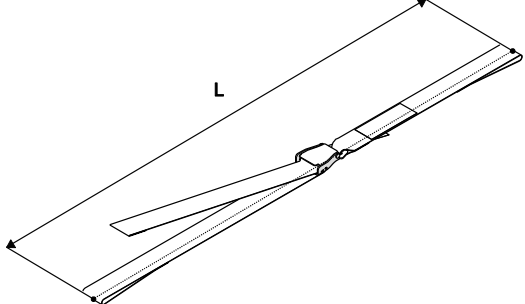
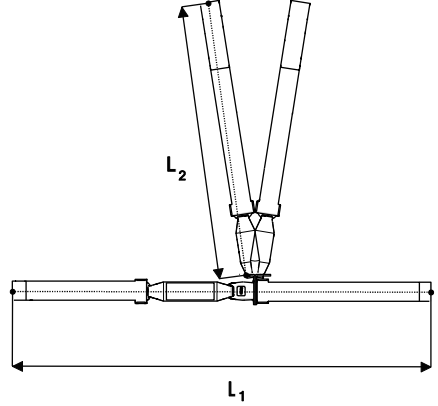
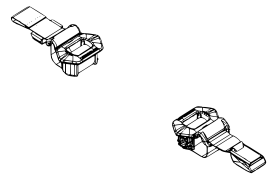
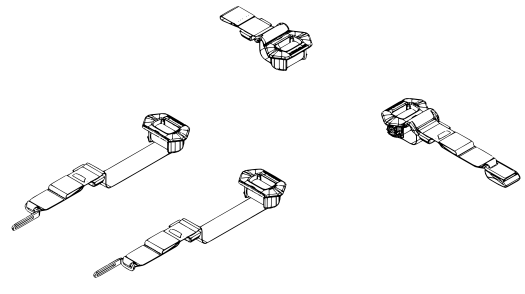
## 8. TECHNISCHE DATEN UND KOMPONENTEN

*Hinweis: Spencer Italia S.r.l. behält sich das Recht vor, ohne Vorankündigung Änderungen anzubringen.*



<i>Id</i>	<i>Beschreibung</i>	<i>Id</i>	<i>Beschreibung</i>
1	Gurtschloss aus Metall	6	Karabinerhaken
2	Schlosszunge Brustkorb	7	Gurtschloss Kunststoff
3	Schlosszunge Metall	8	Schlosszunge Kunststoff
4	Gurtaufroller	9	Schlosszunge Aluminium
5	Gurtband Brustkorb	10	Gurtschloss Aluminium

<b>GURTKOMPONENTE</b>		<b>MATERIAL</b>	
Gurtschloss aus Metall		Verchromter Stahl und Kunststoff	
Gurtschloss aus Kunststoff		Nylon	
Gurtschloss aus Aluminium		Aluminium	
Band		Nylon	
<b>MODELL</b>		<b>L max (mm)</b>	<b>L min (mm)</b>
STX 597		1900	400
STX 598		1500	700
STX 494		1600	450
STX 591 STX 701		1850	350
STX 592		1600	600

STX 702 STX 526		1600	600
STX 580		1600	700
STX 499		<b>L<sub>1</sub> max (mm)</b>	<b>L<sub>1</sub> min (mm)</b>
		1700	600
DNA-GURT		<b>L max Band Schlosszunge</b>	<b>L max Band Gurtschloss</b>
		800	500
DNA-GURT FÜR BRUSTKORB		<b>L max Band Schlosszunge</b>	<b>L max Band Gurtschloss</b>
		800	700
		<b>L max Schulterbänder</b>	
		1100	

## 9. INBETRIEBNAHME

Für den Erstgebrauch überprüfen, dass:

- Die Verpackung unversehrt ist und das Gerät während des Transports geschützt war
- Überprüfen, dass alle Teile der Lieferliste vorhanden sind.
- Allgemeine Betriebseignung des Geräts
- Reinigungszustand des Produkts
- An der ganzen Vorrichtung keine Anzeichen von Schnitten, Löchern, Rissen oder Abschürfungen
- Verschleißgrad der Vorrichtung.
- Überprüfen, dass die Gurtschlösser einsatztauglich sind
- Überprüfen, dass die Karabinerhaken, sofern sie beim Modell vorhanden sind, einsatztauglich sind
- Überprüfen, dass der Gurtaufroller, sofern er beim Modell vorhanden ist, einsatztauglich ist

Im Absatz 11 die Gebrauchswisen für den Ablauf der oben genannten Überprüfen kontrollieren.

Das Gerät unter keinen Umständen in seinen Teilen verändern, da dies zu Schäden am Patienten und/oder am Rettungspersonal führen kann.

**Werden die oben genannten Maßnahmen unterlassen, ist die Sicherheit beim Gebrauch des Geräts nicht gegeben, woraus sich ein Schadensrisiko für den Patienten, die Einsatzkräfte und das Gerät selbst ergeben kann.**

Für spätere Anwendungen die unter Absatz 12 angegebenen Maßnahmen ausführen.



Wenn die oben genannten Bedingungen erfüllt sind, kann das Gerät als betriebsbereit betrachtet werden. Andernfalls muss es sofort außer Betrieb genommen und der Hersteller kontaktiert werden.

Das Gerät nicht absichtlich verfälschen oder abändern. Die Änderung könnte ein unvorhergesehenes Nutzungsverhalten verursachen und den Patienten oder das Rettungspersonal schädigen und machte zudem die Garantie ungültig und entbindet den Hersteller von allen Haftungen.

## 10. ANWENDUNGSEIGENSCHAFTEN

Für die Anwendungseigenschaften siehe Absatz 11 - Gebrauchsweise

## 11. GEBRAUCHSWEISE

Vor der Behandlung des Patienten müssen primäre medizinische Untersuchungen durchgeführt werden.

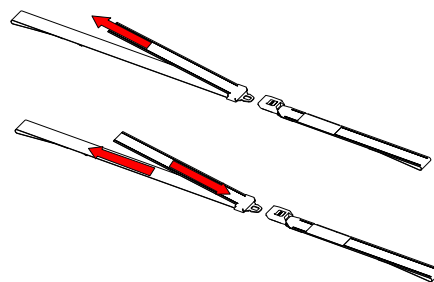
Vor der Nutzung gleich welcher in diesem Handbuch beschriebenen Art von Gurt aufmerksam die Benutzeranweisung des Geräts durchlesen, mit dem der Gurt eingesetzt werden soll.

### 11.1 Regulierung der Länge

Die Länge der Gurte kann reguliert werden, damit er für das betreffende Gerät dem Patienten zweckdienlich angepasst werden kann.

Zum Festzurren des Gurts das freie Endstück des Gurtes in entgegengesetzte Richtung des Gurtschlusses ziehen.

Zum Lockern des Gurts das freie Endstück in das Gurtschloss drücken, dann am Band ziehen, das aus dem Gurtschloss herausragt. Den Vorgang mehrmals wiederholen, bis die gewünschten Länge eingestellt ist.



### 11.2 Ver- und Entriegeln des Gurtes

Gurtyp	Verriegeln	Entriegeln
Metall		
Kunststoff		
Aluminium		
Brustkorb		

### 11.3 Verwendung der Gurte mit 1 Stück

Die Gurte mit 1 Stück sind für die Anwendung mit:

- Vakuummatratzen
- Schaufeltragen

Um die Gurte anzubringen, legen sie auf den Boden, legen das Gerät, das verwendet werden soll, auf die Gurte legen, den Patienten entsprechend den Anweisungen des verwendeten Geräts positionieren und die Gurte so einstellen und verschließen, dass der Patient fest mit dem Gerät verbunden ist.

Überprüfen, dass der Vorgang korrekt ausgeführt wurde und dass der Patient wie vorgesehen fest mit dem Gerät verbunden ist.

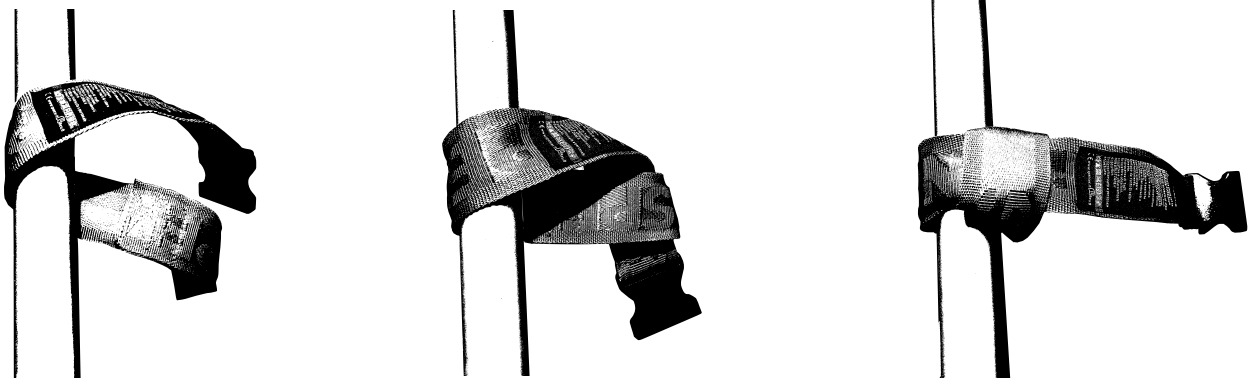
#### 11.4 Verwendung der Gurte mit 2 Stücken

Die Gurte mit 2 Stücken sind für die Anwendung mit:

- Krankentragen
- Notfalltragen
- Spineboards
- Schaufeltragen
- Vakuummattentzen mit umlaufender Leine
- Korbtragen
- Tragsessel
- Treppensteiger

Die Wahl des Gurtschlusstyps ist von den Einsatzbedingungen des verwendeten Geräts abhängig.

Um die Gurte mit 2 Stücken anzubringen, den Punkt des Geräts ermitteln, an dem sie gemäß den Anleitungen des betreffenden Geräts angebracht werden sollen. Den Bereich des Rahmens umwickeln, dann den Gurt anbringen, indem mit ihm eine Schlinge gemacht wird. Die Länge einstellen und sie so verriegeln, dass der Patient fest mit dem Gerät verbunden ist.



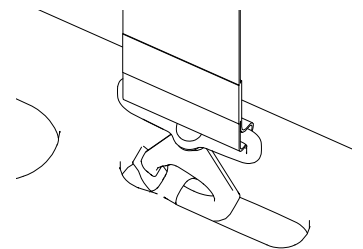
#### 11.5 Verwendung der Gurte mit Karabinerhaken

Die Gurte mit Karabinerhaken sind für die Anwendung mit:

- Spineboards mit PIN
- Vakuummattentzen mit Ösen für ihre Anbringung.

Zur Anbringung den PIN oder die Öse ausmachen, an die der Karabinerhaken angeschlagen werden soll, dann die Schiebehülse des Karabinerhakens zum PIN oder zur Öse drücken und diese in den Karabinerhaken einführen.

Nachdem die korrekte Anbringung des Gurts überprüft wurde, die Länge einstellen und sie so verriegeln, dass der Patient fest mit dem Gerät verbunden ist.

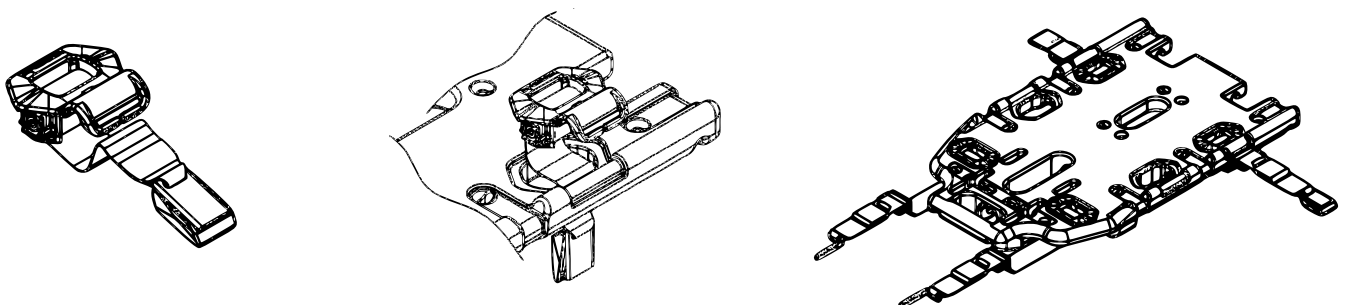
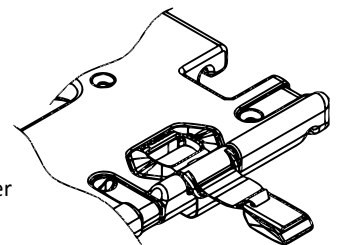


#### 11.6 Montage des DNA-Gurts

Die DNA-Gurte eignen sich für den Gebrauch mit Tragen, deren Patientenfläche mit entsprechenden Sitzen ausgestattet sind.

Sie sind folgendermaßen anzubringen:

- 1 - Das Band aus seinem Sitz im Gurtroller lösen.
- 2 - Mit gestrafftem Band das DNA-System in die Öffnung der Schale der Tragefläche einführen. Das Band der Schlosszunge und des Gurtschlusses müssen jeweils links und rechts der Tragefläche sein.
- 3 - Die Gurte wieder in den Schlitz des DNA-Gurtaufrollers stecken und somit die Montage fertigstellen.
- 4 - Auf gleiche Weise die Brustkorbsysteme anbringen







Nachdem der Patient positioniert ist, die Gurte anschließen und die korrekte Anbringung überprüfen.

DNA-Gurte sind nicht mit Vorspannern ausgerüstet. Ihre Einstellung muss daher nach dem Anschließen von Hand vorgenommen werden, indem die Bänder bis zum Anschlag des Gurtaufrollers gestrafft werden.

Eine falsche Einstellung macht die Vorrichtung unsicher und unwirksam.

## 12. REINIGUNG UND WARTUNG

**Spencer Italia S.r.l. lehnt jede Haftung für direkte oder indirekte Schäden ab, die auf die unsachgemäße Verwendung des Produkts und der Ersatzteile und / oder in jedem Fall auf Reparaturarbeiten zurückzuführen sind, die von einer anderen Person als dem Hersteller durchgeführt werden, der interne und externe Techniker einsetzt, die fachlich ausgebildet und dazu befugt sind. Darüber hinaus erlischt die Garantie.**

- Während aller Kontroll-, Wartungs- und Hygienemaßnahmen muss der Bediener geeignete persönliche Schutzausrüstung wie Handschuhe, Schutzbrille usw. tragen.
- Es ist ein Wartungsprogramm, regelmäßige Überprüfungen und eine Verlängerung der durchschnittlichen Lebensdauer, sofern dies vom Hersteller im Benutzerhandbuch angegeben ist, festzulegen, indem eine Bezugsperson angegeben wird, die die im Handbuch bestimmten Grundanforderungen erfüllt.
- **Die Häufigkeit der Kontrollen richtet sich nach Faktoren, wie die gesetzlichen Bestimmungen, die Art des Gebrauchs, die Häufigkeit des Gebrauchs, die Umweltbedingungen während der Verwendung und die Lagerung.**
- Die Reparatur der von Spencer Italia S.r.l. hergestellten Produkte muss vom Hersteller durchgeführt werden, der interne und externe Fachleute einsetzt, die Originalersatzteile benutzen und eine qualitativ hochwertige Reparatur bieten, die streng den technischen Angaben entspricht, die vom Hersteller vorgegeben werden. Spencer Italia S.r.l. lehnt jede Haftung für direkte oder indirekte Schäden ab, die auf die unsachgemäße Verwendung der Ersatzteile und / oder auf Reparaturarbeiten zurückzuführen sind, die von nicht befugtem Personal ausgeführt wurden.
- Die Überholung, also Arbeiten, die zur Wiederherstellung der technischen und funktionalen Sicherheit des benutzten Geräts dienen, Beispiel erneuerte Zulassung, müssen vom Hersteller ausgeführt werden.
- Alle Wartungs- und Überarbeitungstätigkeiten müssen eingetragen und mit den entsprechenden technischen Tätigkeitsberichten dokumentiert werden. Die Dokumentation muss für mindestens 10 Jahre ab Lebensende des Produkts aufbewahrt werden und muss auf Anfrage den zuständigen Behörden und/oder dem Hersteller zur Verfügung gestellt werden.
- Die für wiederverwendbare Produkte vorgesehene Reinigung muss unter Einhaltung der vom Hersteller im Benutzerhandbuch gemachten Angaben erfolgen, um die Gefahr von Kreuzinfektionen aufgrund von Sekreten und/oder Rückständen zu vermeiden.

### 12.1 REINIGUNG

Wird das Produkt nicht gereinigt besteht die Gefahr von Kreuzinfektionen durch Sekrete und/oder Rückständen.

Während aller Kontroll- und Hygienemaßnahmen muss der Bediener geeignete persönliche Schutzausrüstung wie Handschuhe, Schutzbrille usw. tragen.

Alle Metallteile, die äußeren Einflüssen ausgesetzt sind, werden Oberflächenbehandlungen und/oder Lackierungen unterzogen, um eine bessere Beständigkeit zu erzielen. Die ausgesetzten Teile mit lauwarmem Wasser und neutraler Seife waschen; **niemals Lösungsmittel oder Fleckentferner verwenden.**

Sorgfältig mit lauwarmem Wasser nachspülen und überprüfen, dass alle Seifenreste entfernt wurden, die das Produkt verschleifen oder beschädigen und seine Lebensdauer verringern könnte. **Hochdruckwasser vermeiden**, da dies in die Gelenke eindringt und damit zur Korrosion der Bauteile beiträgt. Vor dem Zusammensetzung vollständig trocknen lassen. Die Trocknung nach dem Waschen oder nach dem Einsatz in feuchter Umgebung muss natürlich und nicht erzwungen erfolgen; keine Flammen oder direkte Wärmequellen benutzen.

Zur Desinfektion Produkte verwenden, die nicht nur als medizinische chirurgische Hilfsmittel eingestuft sind, sondern auch keine lösungsmittel- oder ätzenden Wirkungen auf die Materialien haben, aus denen das Gerät besteht. Alle Vorsichtsmaßnahmen ergreifen, um sicherzustellen, dass kein Risiko einer Kreuzinfektion oder Kontamination von Patienten und Einsatzkräften besteht.

Für Einwegprodukte ist keine Reinigung vorgesehen, sofern das Produkt gemäß den Vorschriften des Herstellers gelagert und verpackt ist.

### 12.2 ORDENTLICHE WARTUNG

Ein beauftragter Beschäftigter muss regelmäßige Prüfungen festlegen. Die Person, der die Wartung des Geräts anvertraut ist, muss die Grundanforderungen im Rahmen dieser Gebrauchsanweisungen erfüllen.

Alle Wartungsarbeiten müssen eingetragen und durch die technischen Tätigkeitsberichte dokumentiert werden. Diese Dokumentation muss für mindestens 10 Jahre nach dem Lebensende des Geräts aufbewahrt werden und muss den zuständigen Behörden und/oder dem Hersteller auf Anfrage zur Verfügung gestellt werden.

Während aller Kontroll-, Wartungs- und Hygienemaßnahmen muss der Bediener geeignete persönliche Schutzausrüstung wie Handschuhe, Schutzbrille usw. tragen.

Das Gerät erfordert kein Programm für eine ordentliche Wartung, jedoch müssen Kontrollen vor und nach jedem Gebrauch vorgenommen werden, um zu überprüfen:

- Allgemeine Betriebseignung des Geräts
- Reinigungszustand des Geräts (zur Erinnerung: wird das Gerät nicht gereinigt, kann dies zu Kreuzinfektionen führen)
- Erfüllung der vom Benutzerhandbuch im Abschnitt 5 Hinweise und 6 Spezifische Hinweise vorgesehenen Anforderungen
- Erfüllung der vom Benutzerhandbuch im Abschnitt 11 Gebrauchsweise vorgesehenen Anforderungen

Nur Komponenten/Ersatzteile und/oder originale oder von Spencer Italia S.r.l. genehmigte Zubehörteile verwenden, damit jeder Vorgang durchgeführt wird, ohne dass es zu Umbauten oder Änderungen am Gerät kommt. Andernfalls wird keinerlei Haftung für den nicht korrekten Einsatz oder für etwaige Schäden durch das Gerät am Patienten oder an der Einsatzkraft übernommen da die Garantie sowie die Übereinstimmung mit der EU-Verordnung 2017/745 aufgehoben ist.

### 12.3 REGELMÄßIGE REVISION

Für das Gerät ist keine regelmäßige Revision vorgesehen.

### 12.4 AUSSERORDENTLICHE WARTUNG

Für diese Vorrichtungen ist keine außerordentliche Wartung vorgesehen.

### 12.5 LEBENSDAUER

**Das Gerät hat, wenn es nach den nachfolgenden Anweisungen benutzt wird, eine Lebensdauer von 2 Jahren ab Kaufdatum.**

Spencer Italia S.r.l. übernimmt keinerlei Haftung für den nicht korrekten Einsatz oder für etwaige Schäden durch das Gerät, das die zulässige maximale Lebensdauer überschritten hat.

## 13. SCHADENSTABELLE

PROBLEM	URSACHE	ABHILFE
Es können keine Verschlüsse aus Kunststoff eingehakt werden	Der Verschluss wurde nicht korrekt ausgeführt	Beim Verschluss darauf achten, dass die Schlosszunge und das Gurtschloss richtig ausgerichtet sind und dass keines von beiden verdreht ist.
Es können keine Verschlüsse aus Metall eingehakt werden		
<b>Der Verschluss aus Metall entriegelt sich nicht</b>	<b>Interne Komponenten beschädigt</b>	Die Vorrichtung sofort außer Betrieb nehmen und mit einer gleichartigen ersetzen
Der Gurtaufroller der DNA-Gurte funktioniert nicht	Bruch oder Streckermüdung der internen Feder	Die Vorrichtung sofort außer Betrieb nehmen und mit einer gleichartigen ersetzen

Falls das Problem oder der Schaden nicht in der obigen Liste enthalten ist, wenden Sie sich bitte an den Kundendienst von Spencer Italia S.r.l.

## 14. ZUBEHÖR

Es sind keine Zubehörteile für diese Vorrichtungen vorhanden

## 15. ERSATZTEILE

Es sind keine Ersatzteile für diese Vorrichtungen vorhanden

## 16. ENTSORGUNG

Sobald die Geräte und ihr Zubehör unbrauchbar sind und nicht durch bestimmte Stoffe kontaminiert wurden, können sie als normaler fester Haushaltsabfall entsorgt werden. Andernfalls müssen die geltenden Vorschriften zur Entsorgung eingehalten werden.

# SOMMAIRE

---

<b>1. MODÈLES</b>	<b>36</b>
<b>2. UTILISATION</b>	<b>36</b>
2.1 UTILISATION ET BENEFICES CLINIQUES	36
2.2 PATIENTS DESTINATAIRES	36
2.3 CRITERES DE SELECTION DES PATIENTS	36
2.4 CONTRE-INDICATIONS ET EFFETS COLLATÉRAUX INDÉSIRABLES	36
2.5 UTILISATEURS ET INSTALLATEURS	36
2.5.1 FORMATION DES UTILISATEURS	36
2.5.2 FORMATION INSTALLATEUR	36
<b>3. STANDARD DE RÉFÉRENCE</b>	<b>37</b>
<b>4. INTRODUCTION</b>	<b>37</b>
4.1 UTILISATION DU MANUEL	37
4.2 ÉTIQUETAGE ET CONTROLE DE LA TRAÇABILITE DU DISPOSITIF	37
4.3 SYMBOLES	37
4.4 GARANTIE ET ASSISTANCE	38
<b>5. AVERTISSEMENTS/DANGERS</b>	<b>38</b>
<b>6. AVERTISSEMENTS SPÉCIFIQUES</b>	<b>39</b>
<b>7. RISQUE RÉSIDUEL</b>	<b>39</b>
<b>8. DONNÉES TECHNIQUES ET COMPOSANTS</b>	<b>39</b>
<b>9. MISE EN FONCTION</b>	<b>41</b>
<b>10. CARACTÉRISTIQUES FONCTIONNELLES</b>	<b>42</b>
<b>11. MODALITÉS D'UTILISATION</b>	<b>42</b>
11.1 REGLAGE DE LA LONGUEUR	42
11.2 ACCROCHAGE ET DECCROCHAGE DE LA CEINTURE	42
11.3 UTILISATION DES CEINTURES A 1 PIECE	43
11.4 UTILISATION DES CEINTURES A 2 PIECES	43
11.5 UTILISATION DES CEINTURES AVEC MOUSQUETON	43
11.6 INSTALLATION DNA STRAP	43
<b>12. NETTOYAGE ET ENTRETIEN</b>	<b>44</b>
12.1 NETTOYAGE	44
12.2 ENTRETIEN ORDINAIRE	44
12.3 REVISION PERIODIQUE	45
12.4 ENTRETIEN EXTRAORDINAIRE	45
12.5 TEMPS DE VIE	45
<b>13. TABLEAU DE GESTION DES PANNES</b>	<b>45</b>
<b>14. ACCESSOIRES</b>	<b>45</b>
<b>15. PIÈCES DÉTACHÉES</b>	<b>45</b>
<b>16. ÉLIMINATION</b>	<b>45</b>

#### avertissement

Les informations contenues dans ce document sont sujettes à des modifications sans préavis et doivent être comprises comme un engagement de la part de l'entreprise Spencer Italia s.r.l. sous réserve de modifications. Les produits Spencer sont exportés dans de nombreux pays dans lesquels des règles identiques ne sont pas toujours valables. C'est la raison pour laquelle il peut y avoir des différences entre ce qui est décrit et les produits livrés. Spencer travaille constamment au perfectionnement de tous les types et les modèles de produits vendus. Nous comptons donc sur votre compréhension si nous devons nous réserver de la faculté d'apporter à tout moment des modifications à la fourniture en ce qui concerne sa forme, son équipement, son aménagement et la technique par rapport à ce qui est convenu ici.

© copyright spencer italia s.r.l.

Tous droits réservés. Aucune partie du document ne peut être photocopiée, reproduite ou traduite dans une autre langue sans l'autorisation préalable écrite de spencer italia S.r.l.

## 1. MODÈLES

Les modèles de base reportés ci-dessous peuvent être sujets à des améliorations ou des modifications sans préavis.

MODÈLE	TYPE DE CEINTURE	CROCHET
STX 597	1 PIÈCE	PLASTIQUE
STX 598	2 PIÈCES	PLASTIQUE
STX 591	1 PIÈCE	MÉTAL
STX 494	2 PIÈCES	MOUSQUETON
STX 592	2 PIÈCES	MÉTAL
STX 526	2 PIÈCES	MÉTAL
STX 701	1 PIÈCE	MÉTAL
STX 702	2 PIÈCES	MÉTAL
STX 580	2 PIÈCES	ALUMINIUM
STX 499	4 PIÈCES THORACIQUES	MÉTAL
DNA STRAP	2 PIÈCES AVEC ENROULEUR	MÉTAL
DNA STRAP THORACIQUE	4 PIÈCES AVEC ENROULEUR	MÉTAL

## 2. UTILISATION

### 2.1 UTILISATION ET BÉNÉFICES CLINIQUES

Les ceintures de sécurité sont des aides à utiliser pour obtenir un degré de sécurité permettant le transport du patient dans des conditions de sécurité si utilisées conformément au produit utilisé.

### 2.2 PATIENTS DESTINATAIRES

Aucune indication particulière liée au groupe de patients n'est indiquée.

Des limites supplémentaires d'utilisation peuvent être liées au dispositif avec lesquels la ceinture est utilisée. Pour cela, consulter le manuel d'utilisation du dispositif de transport utilisé.

### 2.3 CRITÈRES DE SÉLECTION DES PATIENTS

Les critères de sélection des patients attendus sont ceux applicables au dispositif avec lesquels la ceinture est utilisée.

### 2.4 CONTRE-INDICATIONS ET EFFETS COLLATÉRAUX INDÉSIRABLES

Aucune contre-indication particulière ou aucun effet indésirable dérivant de l'utilisation du dispositif n'est connu, du moment qu'il est utilisé comme décrit dans le manuel d'utilisation.

### 2.5 UTILISATEURS ET INSTALLATEURS

Les utilisateurs prévus sont des personnes préposées au secours, experts dans le déplacement, l'immobilisation et le transport du patient.

Les dispositifs ne doivent pas être utilisés par des utilisateurs profanes

Les ceintures de sécurité sont un dispositif destiné uniquement à une utilisation professionnelle. Ne jamais autoriser des personnes non formées à aider pendant l'utilisation du produit, puisqu'elles pourraient se procurer des lésions ou à d'autres personnes.

Malgré tous les efforts, les tests en laboratoires, les essais, les certifications de bon fonctionnement, les instructions d'utilisation, les normes ne réussissent pas toujours à reproduire la pratique ; les résultats obtenus dans les conditions réelles d'utilisation du produit dans l'environnement naturel peuvent donc différer certaines fois de manière importante.

Les meilleures instructions sont la pratique continue d'utilisation sous la supervision de personnel compétent et préparé

Les opérateurs qui les utilisent doivent posséder la capacité physique à utiliser le dispositif et avoir une bonne coordination musculaire. Les capacités des opérateurs doivent être évaluées avant la définition des rôles dans l'utilisation du dispositif.

**Les opérateurs doivent être capables de fournir l'assistance nécessaire au patient.**

### 2.5.1 FORMATION DES UTILISATEURS

- Indépendamment du niveau d'expérience acquis par le passé avec des dispositifs analogues, il faut lire attentivement et comprendre le contenu du présent manuel avant l'installation, l'utilisation du produit ou toute intervention d'entretien. En cas de doutes, contacter Spencer Italia S.r.l. pour obtenir les éclaircissements nécessaires.
- Le produit doit être utilisé uniquement par du personnel formé à l'utilisation de ce produit et non d'autres produits analogues.
- La capacité des utilisateurs à utiliser le produit peut être attestée avec l'enregistrement de la formation, dans laquelle sont spécifiés les personnes formées, les formateurs, la date et le lieu. **Cette documentation doit être conservée au moins pendant 10 ans après la fin de vie du produit et doit être mise à disposition des autorités compétentes et/ou du fabricant, si nécessaire. Si elle devait manquer, les organes préposés appliqueront les éventuelles sanctions prévues.**
- Ne jamais autoriser des personnes non formées à aider pendant l'utilisation du produit, puisqu'elles pourraient se procurer des lésions ou à d'autres personnes.

*Remarque : Spencer Italia S.r.l. est toujours à disposition pour proposer des cours de formation.*

### 2.5.2 FORMATION INSTALLATEUR

L'installateur des ceintures DNA doit être capable de comprendre le contenu du présent manuel et doit garantir que l'installation de ce dispositif soit effectuée dans les règles de l'art, comme décrit dans le par. 11.6.

Pour les autres dispositifs décrits dans le présent manuel, l'installation n'est pas prévue.

### 3. STANDARD DE RÉFÉRENCE

En qualité de distributeur ou d'utilisateur final des produits fabriqués et/ou commercialisés par Spencer Italia S.r.l., il est strictement demandé de connaître les dispositions de loi en vigueur dans le pays de destination de la marchandise, applicables aux dispositifs objet de la fourniture (y compris les normes relatives aux caractéristiques techniques et/ou aux exigences de sécurité) et, donc, de connaître les mesures nécessaires pour assurer la conformité de ces produits à toutes les exigences de loi du territoire.

RÉFÉRENCE	TITRE DU DOCUMENT
Réglementation UE 2017/745	Réglementation UE relative aux dispositifs médicaux

### 4. INTRODUCTION

#### 4.1 UTILISATION DU MANUEL

Le présent manuel a pour but de fournir à l'opérateur sanitaire les informations nécessaires pour une utilisation sécurisée et appropriée et pour un entretien adéquat du dispositif.

*Remarque : le manuel fait partie intégrante du dispositif ; il doit donc être conservé pendant toute la durée de vie du dispositif et devra l'accompagner lors d'éventuels changements de destination ou de propriété. Si des instructions d'utilisation relatives à un autre produit devaient être présentes, différent de celui reçu, contacter immédiatement le fabricant avec de l'utiliser.*

Les manuels d'utilisation des produits Spencer, peuvent être téléchargés depuis le site <http://support.spencer.it> ou en contactant le fabricant. À l'exception des articles dont le caractère essentiel et une utilisation raisonnable et prévisible sont tels de ne pas rendre nécessaire la rédaction d'instructions, en plus des avertissements suivants et des indications présentes sur l'étiquette.

Indépendamment du niveau d'expérience acquis par le passé avec des dispositifs analogues, il est recommandé de lire attentivement le présent manuel avant l'installation, l'utilisation du produit ou toute intervention d'entretien.

#### 4.2 ÉTIQUETAGE ET CONTRÔLE DE LA TRAÇABILITÉ DU DISPOSITIF










Chaque dispositif est équipé d'une étiquette, placée sur le dispositif et/ou sur l'emballage, sur laquelle sont présentes les données d'identification du fabricant, du produit, du marquage CE, du numéro d'immatriculation (SN) ou de lot (LOT). L'étiquette ne doit jamais être retirée ou couverte.

*En cas d'endommagement ou de retrait, demander un duplicata au fabricant, sous peine de voir la validité de la garantie diminuée ou garantie, puisque le dispositif ne pourra plus être tracé.*

**S'il devait être impossible à remonter au lot/SN attribué, il faut effectuer le reconditionnement du dispositif, prévu uniquement sous la responsabilité du fabricant.**

La réglementation UE 2017/754 requiert aux producteurs et aux distributeurs de dispositifs médicaux de garder une trace de leur emplacement. Si le dispositif se trouve dans un lieu différent de l'adresse à laquelle il a été expédié ou a été vendu, donné, perdu, volé, exporté ou détruit, retiré de manière permanente à l'utilisation, ou bien si le dispositif n'a pas été livré directement par Spencer Italia S.r.l., enregistrer le dispositif à l'adresse <http://service.spencer.it>, ou bien informer l'assistance clients (voir § 4.4).

#### 4.3 SYMBOLES

Symbole	Sens
	Dispositif conforme à la réglementation UE 2017/745
	Dispositif médical
	Fabricant
	Date de fabrication
	Danger – Indique une situation de danger qui peut entraîner une situation directement liée à des lésions graves ou létales
	Consulter le manuel d'utilisation
	Numéro de lot
	Code du produit
	Unique Device Identifier

#### 4.4 GARANTIE ET ASSISTANCE

Spencer Italia S.r.l. garantit que ses produits sont sans défaut pendant une période d'un an à partir de la date de l'achat.

Pour toute information relative à l'interprétation correcte des instructions, à l'utilisation, à l'entretien, à l'installation ou au rendu, contacter le service assistance client Spencer tél. +39 0521 541154, fax +39 0521 541222, e-mail [service@spencer.it](mailto:service@spencer.it).

Pour faciliter les opérations d'assistance, toujours indiquer le numéro du lot (LOT) ou de série (SN) qui se trouvent sur l'étiquette appliquée à l'emballage ou directement sur le dispositif.

Les conditions de garantie et d'assistance sont disponibles sur le site <http://support.spencer.it>.

Remarque :

Enregistrer et conserver avec ces instructions : lot (LOT) ou numéro de série (SN) si présent, lieu et date d'achat, date de première utilisation, date des contrôles, nom des utilisateurs et commentaires.

#### 5. AVERTISSEMENTS/DANGERS



Les avertissements, les dangers, les remarques et toute autre information de sécurité importante sont indiqués dans cette section et clairement visibles sur tout le manuel.

Au moins tous les 6 mois, il est important de vérifier la présence d'instructions actualisées et les éventuelles modifications qui concernent le produit. Ces informations peuvent être librement consultées sur le site [www.spencer.it](http://www.spencer.it) sur la page dédiée au produit.

#### Fonctionnement du produit



**Il est interdit d'utiliser le produit pour toute autre utilisation différente de celle décrite dans le manuel d'utilisation.**

- Avant chaque utilisation, toujours vérifier l'intégrité du produit, comme spécifié dans le manuel d'utilisation ; et en cas d'anomalies / dommages qui peuvent compromettre la fonctionnalité/sécurité, il faut immédiatement le retirer du service et contacter le fabricant.
- Si l'on remarque un dysfonctionnement du produit, le changer immédiatement par un dispositif analogue pour garantir la continuité des opérations en cours. Le dispositif non conforme doit être mis hors d'usage.
- Le produit ne doit subir aucune modification sans l'autorisation du fabricant (modification, retouche, ajout, réparation), puisqu'ils peuvent constituer des dangers imminents de lésion aux personnes ainsi qu'aux dommages matériels. Dans le cas contraire, toute responsabilité sur le fonctionnement incorrect ou sur les éventuels dommages provoqués par le produit est déclinée ; de plus, le marquage CE et la garantie du produit sont rendus nuls.
- Pendant l'utilisation des dispositifs, les placer et les régler de manière à ne pas faire obstacle aux opérations des opérateurs et l'utilisation des éventuels autres appareils.
- S'assurer d'avoir adopté toutes les précautions afin d'éviter les dangers dérivant du contact avec le sang ou les sécrétions corporelles, si applicable.
- Éviter le contact avec des objets coupants ou abrasifs.
- Température d'utilisation : de -5 °C à + 50 °C



#### Stockage

- Le produit ne doit pas être exposé ni entrer en contact avec des sources de chaleur de combustion et des agents inflammables, mais doit être stocké dans un lieu sec, frais, protégé de la lumière et du soleil.
- Ne pas stocker le produit sous d'autres matériaux plus ou moins lourds qui pourraient endommager le dispositif.
- Stocker et transporter le produit dans son emballage original ; dans le cas contraire, la garantie est annulée.
- Température de stockage : de -10 °C à +60 °C

#### Exigences réglementaires

**En qualité de distributeur ou d'utilisateur final des produits fabriqués et/ou commercialisés par Spencer Italia S.r.l., il est strictement demandé de connaître les dispositions de loi en vigueur dans le pays de destination de la marchandise, applicables aux dispositifs objet de la fourniture (y compris les normes relatives aux caractéristiques techniques et/ou aux exigences de sécurité) et, donc, de connaître les mesures nécessaires pour assurer la conformité de ces produits à toutes les exigences de loi du territoire.**

- Informer rapidement et de manière détaillée Spencer Italia S.r.l. (déjà en passe de demande de devis) sur les éventuelles mesures dépendantes du fabricant, nécessaires pour la conformité des produits aux exigences spécifiques de la loi du territoire (y compris celles dérivant des réglementations et/ou dispositifs normatifs de toute autre nature).
- Agir, avec le soin et la diligence nécessaire, pour contribuer à garantir la conformité aux exigences générales de sécurité des dispositifs distribués sur le marché, en fournissant aux utilisateurs finaux toutes les informations nécessaires pour le déroulement des activités de révision périodiques sur les dispositifs fournis, exactement comme indiqué dans le manuel d'utilisation.
- **Participer au contrôle de sécurité du produit** distribué sur le marché, en transmettant les informations concernant les disques du produit au fabricant ainsi qu'aux autorités compétentes pour les actions de compétence respectives.
- Une fois établi ce qui précède, le distributeur ou l'utilisateur final assume dès lors toute responsabilité plus ample liée au non-respect de ce qui est indiqué ci-dessus avec pour conséquence une obligation de garder indemne et/ou décharger Spencer Italia S.r.l. De tout éventuel effet préjudiciable relative.
- En référence à la réglementation UE 2017/745, il faut rappeler que les opérateurs publics ou privés, qui dans l'exercice de leur activité relèvent un incident qui implique un produit médical sont tenus de le communiquer au Ministère de la Santé, selon les termes et les modalités établies avec un ou plusieurs décrets ministériels, et au fabricant. Les opérateurs sanitaires publics ou privés sont tenus de communiquer au fabricant tout autre inconvénient qui puisse autoriser l'adoption des mesures capables de garantir la protection et la santé des patients et des utilisateurs.

## Avertissements généraux pour les dispositifs médicaux

L'utilisateur doit également lire attentivement, en plus des avertissements généraux, ceux listés ci-dessous.

- Il n'est pas prévu que l'application du dispositif dure au-delà du temps nécessaire aux opérations des premiers soins et des phases suivantes de transport jusqu'au point de secours de plus proche.
- ! • Pendant l'utilisation du dispositif, l'assistance de personnel qualifié doit être garantie et aux moins deux opérateurs doivent être présents.
- ! • Ne pas l'utiliser si le dispositif ou ses parties sont troués, déchirés, effilochés ou excessivement usés.
- Suivre les procédures et les protocoles internes approuvés par la propre organisation.
- ! • Ne pas altérer ou modifier de manière arbitraire le dispositif ; la modification pourrait en provoquer le fonctionnement imprévisible et des dommages aux patients ou aux secouristes et dans tous les cas, la perte de la garantie, tout en déchargeant le fabricant de toute responsabilité.
- Ne pas utiliser de machines sécheuses pour sécher le dispositif.
- Dans le cas de peau exposée et/ou blessée, couvrir la surface en contact avec le patient avec un drap chirurgical qui respecte les normes de biocompatibilité pour protéger la santé du patient.

### 6. AVERTISSEMENTS SPÉCIFIQUES

Pour l'utilisation des ceintures de sécurité, il faut également avoir lu, compris et suivre soigneusement toutes les indications présentes dans le manuel d'utilisation.

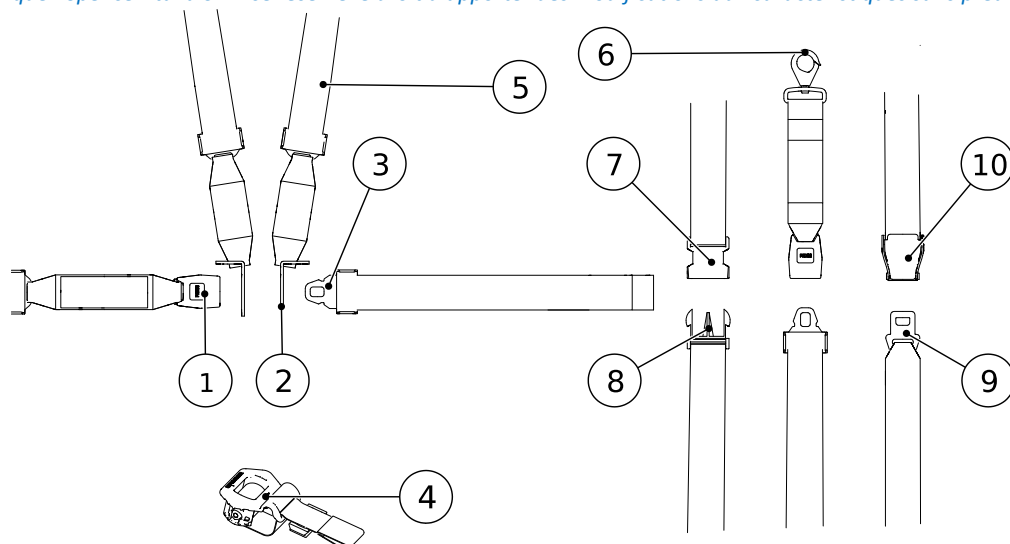
- ! • Toujours respecter les caractéristiques de positionnement déterminées par le dispositif avec lequel sont utilisées les ceintures. De plus, l'opérateur doit évaluer que l'encombrement du patient ne réduit pas la fonctionnalité du produit.
- Toujours appliquer le nombre de ceintures prévu par le dispositif de transport utilisé.
- ! • **Effectuer des simulations de secours avec les ceintures appliquées au produit avec lequel l'utilisation est prévue et une charge simulant un patient et des accessoires, avant la mise en service du dispositif.**
- Établir un programme d'entretien et de contrôles périodiques, en identifiant une personne de référence. Le sujet auquel est confié l'entretien ordinaire du dispositif doit garantir les exigences de base prévues par le fabricant dans les présentes instructions d'utilisation.
- Toutes les activités d'entretien doivent être enregistrées et documentées avec les rapports relatifs d'intervention technique ; la documentation devra être conservée au moins pendant 10 ans à partir de la fin de vie du dispositif et devra être mise à disposition des autorités compétentes et/ou du fabricant, si nécessaire.
- Éviter le contact avec des objets coupants.
- Suivre les procédures approuvées par le service médical d'urgence pour l'immobilisation et le transport du patient.
- Suivre les procédures approuvées par le service médical d'urgence pour le positionnement et le transport du patient.
- ! • Avant chaque utilisation, toujours vérifier l'intégrité du dispositif et de ses composants, comme spécifié dans le manuel d'utilisation. En cas d'anomalies ou de dommages qui peuvent compromettre la fonctionnalité et la sécurité du dispositif, et donc du patient et de l'opérateur, il faut mettre hors de service le dispositif.
- ! • Ne pas altérer ou modifier arbitrairement le dispositif pour l'adapter à des conditions d'utilisation imprévues : la modification pourrait en provoquer le fonctionnement imprévisible et des dommages aux patients ou aux secouristes et dans tous les cas la perte de garantie, tout en déchargeant le fabricant de toute responsabilité.
- ! • Pour préserver la vie du dispositif, il faut le protéger le plus possible de rayons UV et des conditions météorologiques défavorables.
- S'assurer que les boucles sont parfaitement ancrées dans la sangle, qu'elles sont intègres et qu'elles fonctionnent.

### 7. RISQUE RÉSIDUEL

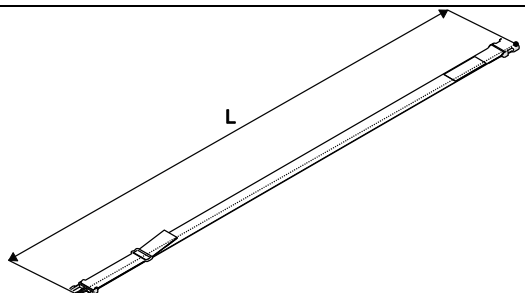
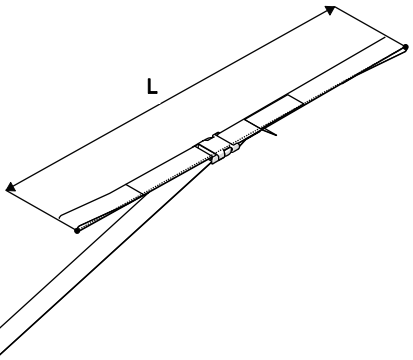
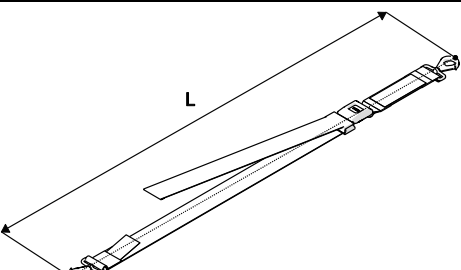
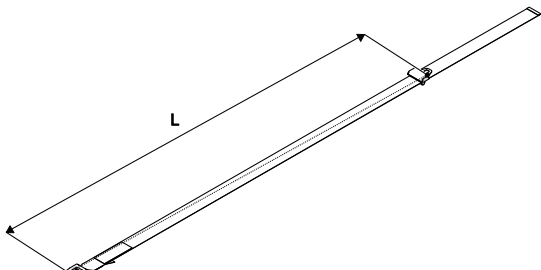
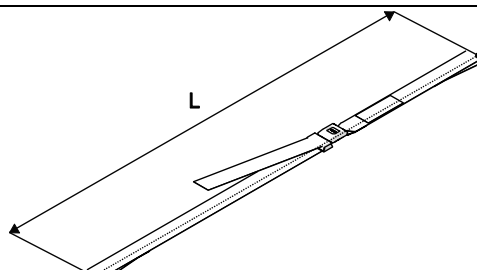
Aucun risque résiduel n'est identifié, c'est-à-dire des risques qui pourraient être créés, malgré le respect de tous les avertissements du présent manuel d'utilisation.

### 8. DONNÉES TECHNIQUES ET COMPOSANTS

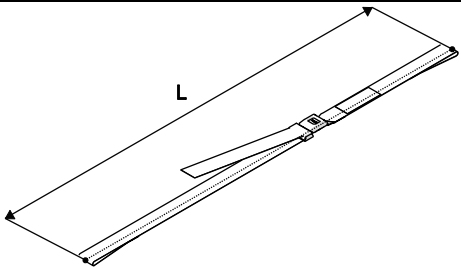
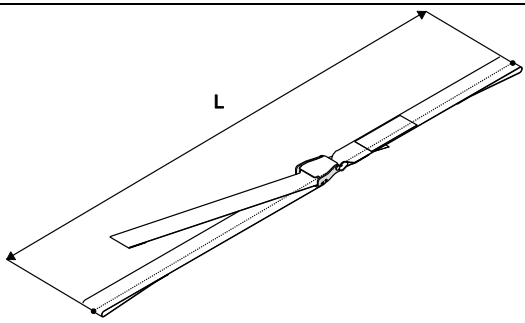
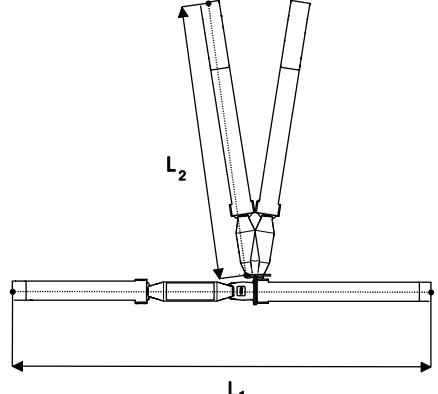
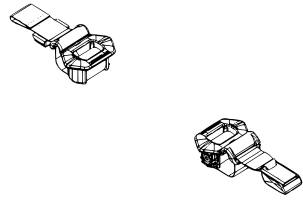
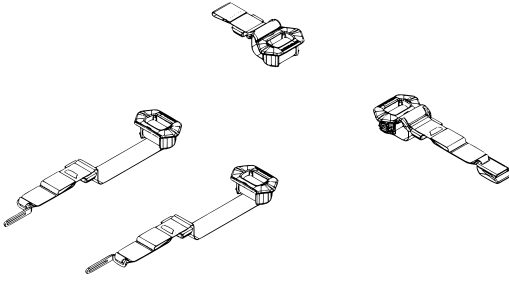
Remarque : Spencer Italia S.r.l. se réserve le droit d'apporter des modifications aux caractéristiques sans préavis.



<i>Id</i>	<i>Description</i>	<i>Id</i>	<i>Description</i>
1	Boucle en métal femelle	6	Mousqueton
2	Crochet thoracique	7	Crochet plastique femelle
3	Crochet métal mâle	8	Crochet plastique mâle
4	Enrouleur	9	Crochet aluminium mâle
5	Sangle ceinture thoracique	10	Crochet aluminium femelle

COMPOSANT CEINTURE		MATÉRIAU	
Boucle en métal		Acier chromé et plastique	
Boucle en plastique		Nylon	
Boucle en aluminium		Aluminium	
Sangle		Nylon	
MODÈLE		L max (mm)	L min (mm)
STX 597		1900	400
STX 598		1500	700
STX 494		1600	450
STX 591 STX 701		1850	350
STX 592		1600	600



STX 702 STX 526		1600	600
STX 580		1600	700
STX 499		<b>L<sub>1</sub> max (mm)</b>	<b>L<sub>1</sub> min (mm)</b>
		1700	600
		<b>L<sub>2</sub> max (mm)</b>	<b>L<sub>2</sub> min (mm)</b>
		1200	300
DNA STRAP		<b>L max sangle mâle</b>	<b>L max sangle femelle</b>
		800	500
DNA STRAP THORACIQUE		<b>L max sangle mâle</b>	<b>L max sangle femelle</b>
		800	700
		<b>L max sangle épaules</b>	
		1100	

## 9. MISE EN FONCTION

Pour la première utilisation, vérifier que :

- L'emballage est intègre et qu'il ait protégé le dispositif pendant le transport
- Contrôler que toutes les pièces incluses dans la liste d'accompagnement sont présentes.
- Fonctionnalités générales du dispositif
- État de nettoyage du produit
- Absence de découpe, de trou, de lacération ou d'abrasion sur toute la structure
- État d'usure du dispositif.
- Vérifier le fonctionnement correct des sangles
- Vérifier le fonctionnement correct des mousquetons s'ils sont présents sur le modèle
- Vérifier le fonctionnement correct de l'enrouleur s'il est présent sur le modèle

Vérifier au paragraphe 11 les modalités d'utilisation pour le déroulement des vérifications indiquées ci-dessus.

Quelle qu'en soit la raison, ne jamais modifier le dispositif ni ses parties puisque cela pourrait être la cause de dommages aux patients et/ou aux secouristes.



**Le non-respect des mesures indiquées ci-dessus exclut d'utiliser le dispositif en toute sécurité, avec pour conséquence le risque de dommages pour le patient, les opérateurs ainsi que pour le dispositif.**

**Pour des utilisations successives, effectuer les opérations spécifiées dans le paragraphe 12.**

Si les conditions indiquées sont respectées, le dispositif peut être considéré comme prêt à l'emploi ; dans le cas contraire, il faut retirer immédiatement le dispositif du service et contacter le fabricant.

Ne pas altérer ou modifier de manière arbitraire le dispositif ; la modification pourrait en provoquer le fonctionnement imprévisible et des dommages aux patients ou aux secouristes et de plus invalidera la perte de la garantie, tout en déchargeant le fabricant de toute responsabilité.

## 10. CARACTÉRISTIQUES FONCTIONNELLES

Pour les caractéristiques de fonctionnement, consulter le paragraphe 11 - Modalités d'utilisation

## 11. MODALITÉS D'UTILISATION

Avant d'intervenir sur le patient, des évaluations médicales primaires doivent être effectuées.

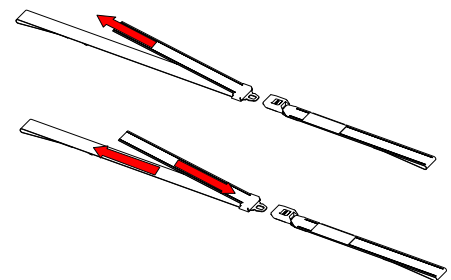
Avant d'utiliser n'importe quelle typologie de ceinture décrite dans le présent manuel, lire attentivement les instructions d'utilisation du dispositif avec lequel elles doivent être utilisées.

### 11.1 Réglage de la longueur

Les ceintures peuvent être réglées en longueur, pour qu'elles puissent s'adapter efficacement au patient en tenant en considération du dispositif utilisé.

Pour serrer la ceinture, tirer l'extrémité libre de la ceinture dans la direction opposée à la boucle

Pour allonger la ceinture, appuyer sur l'extrémité libre vers l'intérieur de la boucle, puis tirer sur la sangle en sortie de la boucle. Répéter l'opération plusieurs fois jusqu'à atteindre la longueur souhaitée.



### 11.2 Accrochage et décrochage de la ceinture

Typologie d'accrochage	Accrochage	Décrochage
Métal		
Plastique		
Aluminium		
Thoracique		

### 11.3 Utilisation des ceintures à 1 pièce

Les ceintures à 1 pièce sont indiquées pour être utilisées avec :

- des matelas à dépression
- des civières à aubes

Pour appliquer les ceintures, les étendre sur le sol, placer le dispositif sur lequel utiliser les ceintures, placer le patient selon les instructions du dispositif utilisé puis procéder à leur réglage et leur fermeture afin de solidariser le patient sur le dispositif. Vérifier que l'opération ait été correctement exécutée et que le patient soit attaché de manière appropriée au dispositif.

### 11.4 Utilisation des ceintures à 2 pièces

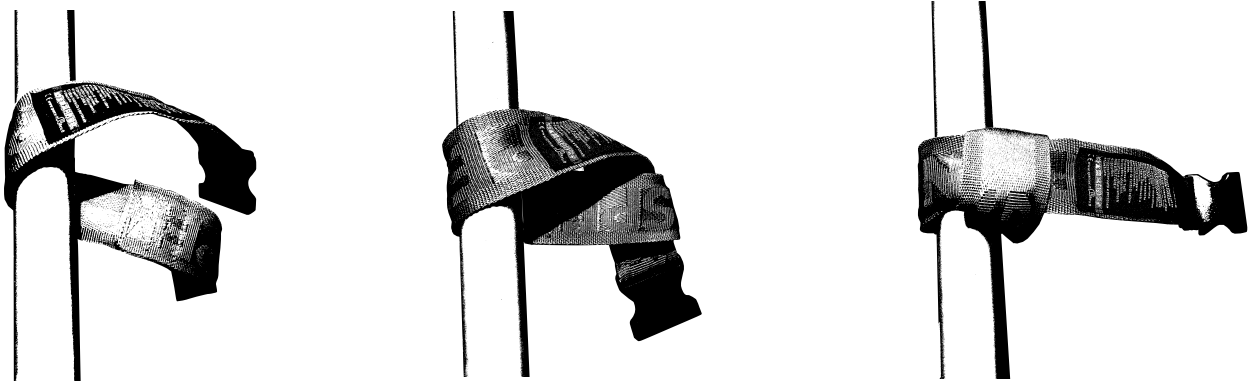
Les ceintures à 2 pièces sont indiquées pour être utilisées avec :

- des civières pour ambulance
- des civières d'urgence
- des tables spinales
- des civières à aubes
- des matelas à dépression équipés d'une corde périmétrale
- des civières de transport
- des civières-chaises
- des civières-chaises d'escalier

Le choix de la typologie de boucle est lié aux caractéristiques d'utilisation du dispositif utilisé.

Pour appliquer les ceintures deux pièces, identifier le point du dispositif où elles doivent être appliquées selon les instructions du dispositif même. Enrouler la portion du châssis intéressé, puis appliquer la ceinture en faisant un nœud coulant.

Régler la longueur et la fermer pour solidariser le patient sur le dispositif.



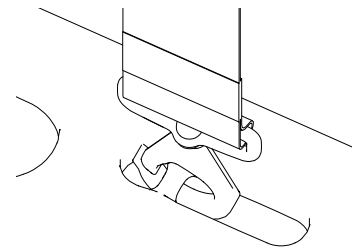
### 11.5 Utilisation des ceintures avec mousqueton

Les ceintures avec mousqueton sont indiquées pour être utilisées avec :

- des tables spinales équipées de PIN
- des matelas à dépression équipés de fentes dédiées à leur application.

Pour les appliquer, identifier le PIN ou la fente sur laquelle appliquer le mousqueton, puis appuyer sur la partie mobile du mousqueton vers le PIN ou la fente en les faisant entrer dans le mousqueton.

Après avoir vérifié l'application correcte de la ceinture, en régler la longueur et les fermer de sorte de solidariser le patient au dispositif.

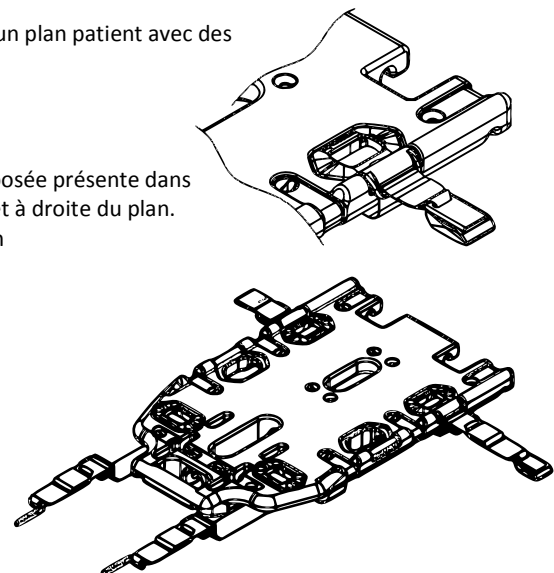
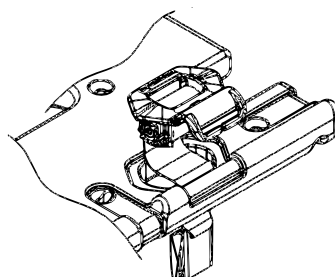
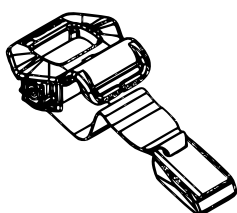


### 11.6 Installation DNA strap

Les ceintures DNA strap, sont indiquées pour être utilisées avec des civières équipées d'un plan patient avec des sièges dédiés.

Pour les appliquer, procéder de la manière suivante :

- 1 – Retirer la sangle de son siège de l'enrouleur.
- 2 – Enfiler le système DNA, tout en maintenant sous tension la sangle, dans la cavité opposée présente dans la coque du plan. La sangle mâle et celle femelle doivent être respectivement à gauche et à droite du plan.
- 3 – Remettre les ceintures dans la fente de l'enrouleur DNA en complétant l'installation
- 4 – Procéder de manière analogue aux systèmes thoraciques





Après avoir placé le patient, serrer les ceintures et vérifier qu'elles soient correctement appliquées.

DNA straps ne sont pas équipées d'un pré-tendeur. Il est donc nécessaire de procéder à leur réglage manuel après les avoir serrées, en mettant sous tension les sangles en plaçant l'enrouleur en fin de course.

Un réglage incorrect rend le dispositif non sécurisé et inefficace.

## 12. NETTOYAGE ET ENTRETIEN

**Spencer Italia S.r.l. décline toute responsabilité pour tout dommage, direct ou indirect, que ce soit comme conséquence d'une utilisation impropre du produit et des pièces détachées et/ou dans tous les cas de n'importe quelle intervention de réparation effectuée par des sujets différents du fabricant, qui utilise des techniciens internes et externes spécialisés et autorisés ; de plus, la garantie est invalidée.**

- Pendant toutes les opérations de contrôle, d'entretien et de désinfection, l'opérateur doit porter des équipements de protection individuelle appropriés, tels que des gants, des lunettes, etc.
- Établir un programme d'entretien, des contrôles périodiques, et une prorogation du temps de vie moyen, si prévu par le fabricant dans le manuel d'utilisation, en identifiant une personne préposée de référence possédant les exigences de base définies dans le manuel d'utilisation.
- **La fréquence des contrôles est déterminée par des facteurs tels que les prescriptions de loi, le type d'utilisation, la fréquence d'utilisation, les conditions environnementales pendant l'utilisation et le stockage.**
- La réparation des produits réalisés par Spencer Italia S.r.l. doit être nécessairement effectuée par le fabricant, qui utilise les techniciens internes ou externes spécialisés qui, en utilisant des pièces détachées originales, fournissent un service de réparation de qualité en conformité étroite avec les caractéristiques techniques indiquées par le producteur. Spencer Italia S.r.l. décline toute responsabilité pour tout dommage, direct ou indirect, qui ce soit la conséquence d'une utilisation impropre des pièces détachées et/ou dans tous les cas, de toute intervention de réparation effectuée par des sujets non autorisés.
- Le reconditionnement, processus exécuté sur le dispositif pour en autoriser la restauration de la sécurité technique et fonctionnelle du dispositif utilisé, comme une nouvelle immatriculation, doit être exécuté par le fabricant.
- Toutes les activités d'entretien et de révision doivent être enregistrées et documentées avec les rapports relatifs d'intervention technique ; la documentation devra être conservée au moins pendant 10 ans à partir de la fin de vie du produit et devra être mise à disposition des autorités compétentes et/ou du fabricant, si nécessaire.
- Le nettoyage, prévu pour les produits réutilisables, doit être exécuté dans le respect des indications fournies par le fabricant dans le manuel d'utilisation, afin d'éviter le risque d'infections croisées dues à la présence de sécrétions et/ou de résidus.

### 12.1 NETTOYAGE

La non-exécution des opérations de nettoyage peut entraîner le risque d'infections croisées dues à la présence de sécrétions et/ou de résidus.

Pendant toutes les opérations de contrôle et de désinfection, l'opérateur doit porter des équipements de protection individuelle appropriés, tels que des gants, des lunettes, etc.

Les éventuelles pièces métalliques exposées aux agents extérieurs subissent des traitements superficiels et/ou de peinture afin d'obtenir une meilleure résistance. Laver les pièces exposées avec de l'eau tiède et du savon neutre ; **ne jamais utiliser de solvants ou de détachants.**

Rincer soigneusement avec de l'eau tiède en vérifiant d'avoir éliminé toute trace de savon, qui pourrait la détériorer ou en compromettre l'intégrité et la durée. **Éviter l'utilisation d'eau à haute pression**, puisque celle-ci pénètre dans les joints en créant le risque de corrosion des composants. Laisser sécher entièrement avant de la ranger. Le séchage après le lavage ou bien après l'utilisation dans un environnement humide doit être naturel et non forcé : ne jamais utiliser de flamme ou d'autres sources de chaleur directe.

Dans le cas d'une éventuelle **désinfection**, utiliser des produits qui, en plus d'être classés comme des dispositifs médico-chirurgicaux, n'ont pas d'action solvant ou corrosive sur des matériaux constituant le dispositif. S'assurer d'avoir pris toutes les précautions appropriées pour garantir qu'aucun risque d'infection croisée ou de contamination entre patient et opérateur ne subsiste.

Dans le cas de produits jetables, aucun nettoyage n'est prévu, sauf si le produit est correctement stocké et emballé comme selon les caractéristiques du fabricant.

### 12.2 ENTRETIEN ORDINAIRE

Il faut établir un programme de contrôles périodiques, en identifiant une personne de référence. Le sujet auquel est confié l'entretien ordinaire du dispositif doit garantir les exigences de base prévues dans le présent manuel d'utilisation.

Toutes les activités d'entretien doivent être enregistrées et documentées avec les rapports correspondants d'intervention technique. Cette documentation devra être conservée au moins pendant 10 ans après la fin de vie du dispositif et devra être mise à disposition des autorités compétentes et/ou du fabricant, si nécessaire.

Pendant toutes les opérations de contrôle, d'entretien et de désinfection, l'opérateur doit porter des équipements de protection individuelle appropriés, tels que des gants, des lunettes, etc.

Le dispositif ne requiert pas de programme d'entretien ordinaire, mais il faut effectuer des contrôles avant et après chaque utilisation permettant de vérifier :

- Fonctionnalités générales du dispositif
- État de nettoyage du dispositif (il faut rappeler que la non-exécution des opérations de nettoyage peut entraîner le risque d'infections croisées)

- Satisfaction des exigences prévues par le manuel d'utilisation dans la section 5 Avertissements et 6 Avertissements spécifiques.
- Satisfaction des exigences prévues par le manuel d'utilisation dans la section 11 Modalités d'utilisation

Utiliser uniquement des composants / pièces détachées et/ou des accessoires originaux ou approuvés par Spencer Italia S.r.l. afin d'effectuer chaque opération sans causer des altérations, des modifications au dispositif ; dans le cas contraire, elle décline toute responsabilité sur le fonctionnement incorrect ou sur les éventuels dommages provoqués par le dispositif au patient ou à l'opérateur, en invalidant la garantie et en annulant la conformité à la Réglementation UE 2017/745.

### 12.3 RÉVISION PÉRIODIQUE

Une révision périodique n'est pas prévue par le dispositif

### 12.4 ENTRETIEN EXTRAORDINAIRE

Aucun entretien extraordinaire n'est prévu pour ces dispositifs.

### 12.5 TEMPS DE VIE

**Le dispositif, si utilisé comme indiqué dans les instructions suivantes, a un temps de vie de 2 ans à partir de la date d'achat.**

Spencer Italia S.r.l. décline toute responsabilité sur le fonctionnement incorrect ou sur les éventuels dommages provoqués par l'utilisation de dispositifs qui aient dépassé le temps de vie maximum admis.

## 13. TABLEAU DE GESTION DES PANNES

PROBLÈME	CAUSE	REMÈDE
Il est impossible d'accrocher la boucle en plastique	La boucle n'a pas été insérée correctement	Insérer la boucle en faisant attention que la partie mâle et celle femelle soient correctement alignées et qu'une des deux ne soit pas renversée.
Il est impossible d'accrocher la boucle en métal		
<b>La sangle en métal ne s'accroche pas</b>	<b>Composants internes endommagés</b>	Placer immédiatement le dispositif hors service et le remplacer par un analogue
L'enrouleur des ceintures DNA ne fonctionne pas	Rupture ou limite d'élasticité du ressort interne	Placer immédiatement le dispositif hors service et le remplacer par un analogue

Si le problème ou la panne relevée ne correspond pas à ce qui est indiqué ci-dessus, contacter le service assistance Spencer Italia srl.

## 14. ACCESSOIRES

Aucun accessoire n'est présent pour ces dispositifs

## 15. PIÈCES DÉTACHÉES

Aucune pièce détachée n'est nécessaire pour ces dispositifs

## 16. ÉLIMINATION

Une fois les dispositifs inutilisables, ainsi que leurs accessoires, s'ils n'ont pas été contaminés par des agents particuliers, ils peuvent être éliminés comme des déchets solides urbains normaux, sinon, il faut respecter les normes en vigueur en matière d'élimination.

<b>1. MODELOS</b>	<b>47</b>
<b>2. DESTINO DE USO</b>	<b>47</b>
2.1 DESTINO DE USO Y BENEFICIOS CLÍNICOS	47
2.2 PACIENTES DESTINATARIOS	47
2.3 CRITERIOS DE SELECCIÓN DE LOS PACIENTES	47
2.4 CONTRAINDICACIONES Y EFECTOS COLATERALES NO DESEADOS	47
2.5 USUARIOS E INSTALADORES	47
2.5.1 FORMACIÓN DE LOS USUARIOS	47
2.5.2 FORMACIÓN DEL INSTALADOR	47
<b>3. NORMAS DE REFERENCIA</b>	<b>47</b>
<b>4. INTRODUCCIÓN</b>	<b>48</b>
4.1 USO DEL MANUAL	48
4.2 ETIQUETADO Y CONTROL DE SEGUIMIENTO DEL DISPOSITIVO	48
4.3 SÍMBOLOS	48
4.4 GARANTÍA Y ASISTENCIA	48
<b>5. ADVERTENCIAS/PELIGROS</b>	<b>49</b>
<b>6. ADVERTENCIAS ESPECÍFICAS</b>	<b>50</b>
<b>7. RIESGO RESIDUAL</b>	<b>50</b>
<b>8. DATOS TÉCNICOS Y COMPONENTES</b>	<b>50</b>
<b>9. PUESTA EN FUNCIONAMIENTO</b>	<b>52</b>
<b>10. CARACTERÍSTICAS DE FUNCIONAMIENTO</b>	<b>53</b>
<b>11. MODO DE USO</b>	<b>53</b>
11.1 REGULACIÓN DE LA LONGITUD	53
11.2 ENGANCHE Y DESENGANCHE DEL CINTURÓN	53
11.3 USO DE LOS CINTURONES DE 1 PIEZA	53
11.4 USO DE LOS CINTURONES DE 2 PIEZAS	54
11.5 USO DE LOS CINTURONES CON MOSQUETÓN	54
11.6 INSTALACIÓN DE DNA STRAP	54
<b>12. LIMPIEZA Y MANTENIMIENTO</b>	<b>55</b>
12.1 LIMPIEZA	55
12.2 MANTENIMIENTO ORDINARIO	55
12.3 REVISIÓN PERIÓDICA	56
12.4 MANTENIMIENTO EXTRAORDINARIO	56
12.5 TIEMPO DE VIDA ÚTIL	56
<b>13. TABLA DE GESTIÓN DE FALLAS</b>	<b>56</b>
<b>14. ACCESORIOS</b>	<b>56</b>
<b>15. RECAMBIOS</b>	<b>56</b>
<b>16. ELIMINACIÓN</b>	<b>56</b>

#### Advertencia

La información incluida en este documento está sujeta a modificaciones sin previo aviso y se entiende como un compromiso de Spencer Italia s.r.l. sujeto a modificaciones. Los productos de Spencer se exportan a muchos países en los cuales no siempre se aplican las mismas normas. Por lo tanto, puede haber diferencias entre lo que se describe en este documento y los productos entregados. Spencer trabaja constantemente para mejorar todos los tipos y modelos de los productos vendidos. Por tanto, esperamos que comprenda que nos reservamos el derecho de realizar, en cualquier momento, cambios en el suministro, en la forma, el equipamiento y la técnica con respecto a lo que se acuerda en este documento.

© Copyright Spencer Italia s.r.l.

Todos los derechos reservados. Ninguna parte del documento puede ser fotocopiada, reproducida ni traducida en otro idioma sin previo consentimiento por escrito de Spencer Italia s.r.l.

## 1. MODELOS

Los modelos básicos indicados a continuación pueden estar sujetos a implementaciones o modificaciones sin previo aviso.

MODELO	TIPO DE CINTURÓN	GANCHO
STX 597	1 PIEZA	PLÁSTICO
STX 598	2 PIEZAS	PLÁSTICO
STX 591	1 PIEZA	METAL
STX 494	2 PIEZAS	MOSQUETÓN
STX 592	2 PIEZAS	METAL
STX 526	2 PIEZAS	METAL
STX 701	1 PIEZA	METAL
STX 702	2 PIEZAS	METAL
STX 580	2 PIEZAS	ALUMINIO
STX 499	4 PIEZAS DE TÓRAX	METAL
DNA STRAP	2 PIEZAS CON ENROLLADOR	METAL
DNA STRAP DE TÓRAX	4 PIEZAS CON ENROLLADOR	METAL

## 2. DESTINO DE USO

### 2.1 DESTINO DE USO Y BENEFICIOS CLÍNICOS

Los cinturones de sujeción son equipos de seguridad que se utilizan para obtener un grado de sujeción que permita transportar al paciente en condiciones seguras si se emplean de acuerdo con el producto que se está utilizando.

### 2.2 PACIENTES DESTINATARIOS

No existen indicaciones particulares relacionadas con el grupo de pacientes.

Algunas limitaciones de uso pueden estar relacionadas con el dispositivo junto con el cual se utiliza el cinturón. Para tal fin, se debe consultar el manual de uso del dispositivo de transporte que se utilice.

### 2.3 CRITERIOS DE SELECCIÓN DE LOS PACIENTES

Los criterios de selección de pacientes con los que pueden aplicarse al dispositivo junto con el cual se utiliza el cinturón.

### 2.4 CONTRAINDICACIONES Y EFECTOS COLATERALES NO DESEADOS

No se conocen contraindicaciones particulares o efectos colaterales derivados del uso del dispositivo, siempre y cuando se use de acuerdo con el manual de uso.

### 2.5 USUARIOS E INSTALADORES

Los usuarios previstos son el personal de rescate, expertos en la manipulación, inmovilización y transporte del paciente.

Los dispositivos no están destinados a usuarios no profesionales.

Los cinturones de sujeción son dispositivos destinados exclusivamente al uso profesional. No permita que personas no capacitadas ayuden durante el uso del producto, ya que pueden ocasionar lesiones a sí mismas o a otras personas.

No obstante todos los esfuerzos, las pruebas de laboratorio, los ensayos y las instrucciones de uso, las normas no siempre logran reproducir la práctica, por lo cual los resultados obtenidos en las condiciones reales de uso del producto en el ambiente natural pueden diferir de forma incluso relevante.

Las mejores instrucciones son la práctica de uso continua bajo la supervisión de personal competente y preparado.

Los operadores que lo utilizan deben poseer la capacidad física adecuada para usar el dispositivo y una buena coordinación muscular. Las capacidades de los operadores deben evaluarse antes de definir los roles en el uso del dispositivo.

**Los operadores deben ser capaces de proporcionar la asistencia necesaria al paciente.**

#### 2.5.1 FORMACIÓN DE LOS USUARIOS

- Independientemente del nivel de experiencia adquirido en el pasado con dispositivos similares, es necesario leer con atención y comprender el contenido de este manual antes de la instalación, de la puesta en funcionamiento del producto o de cualquier intervención de mantenimiento. En caso de dudas, póngase en contacto con Spencer Italia S.r.l. para obtener las aclaraciones necesarias.
- El dispositivo debe ser usado solo por personal capacitado al uso de este producto y no de otros similares.
- La idoneidad de los usuarios al uso del producto puede certificarse con el registro de la formación, donde se especifican las personas formadas, los formadores, la fecha y el lugar de formación. **Dicha documentación debe mantenerse durante al menos 10 años a partir del final de vida del producto y, cuando se solicite, debe ponerse a disposición de las Autoridades competentes y/o del Fabricante. Si falta, los órganos responsables aplicarán las sanciones eventuales previstas.**
- No permita que personas no capacitadas ayuden durante el uso del producto, ya que pueden causar lesiones a otras personas a sí mismas.

*Nota: Spencer Italia S.r.l. está siempre disponible para la realización de cursos de formación.*

#### 2.5.2 FORMACIÓN DEL INSTALADOR

El instalador de los cinturones DNA debe comprender el contenido del presente manual y debe asegurarse de que la instalación de estos dispositivos se realice correctamente, tal como se describe en el apartado 11.6.

Los demás dispositivos descritos en el presente manual no necesitan instalación.

## 3. NORMAS DE REFERENCIA

**En calidad de Distribuidor o Usuario final de los productos fabricados y/o comercializados por Spencer Italia S.r.l., es necesario conocer rigurosamente las disposiciones legales vigentes en el país de destino de los productos, aplicables a los dispositivos objeto del suministro (incluidas las normas relativas a las especificaciones técnicas y/o a los requisitos de seguridad) y, por lo tanto, conocer las obligaciones necesarias para garantizar que los productos cumplan con todos los requisitos legales del territorio.**

REFERENCIA	TÍTULO DEL DOCUMENTO
Reglamento UE 2017/745	Reglamento UE relativo a los Productos Sanitarios

#### 4. INTRODUCCIÓN

##### 4.1 USO DEL MANUAL

Este Manual tiene el fin de proporcionar al operador sanitario la información necesaria para un uso seguro y adecuado y para un mantenimiento correcto del dispositivo.

*Nota: el Manual forma parte integral del dispositivo, por lo tanto debe guardarse durante toda la vida útil del dispositivo y deberá acompañarlo en caso de cambios de destino o de propiedad. En caso de instrucciones de uso relacionadas con otro producto que no sea el producto recibido, es necesario ponerse inmediatamente en contacto con el Fabricante antes del uso.*

Los Manuales de uso de los productos Spencer pueden descargarse en el sitio <http://support.spencer.it>, sino póngase en contacto con el Fabricante. Son una excepción los artículos cuya esencialidad y uso razonable y previsible son tales que no es necesaria la elaboración de instrucciones adicionales a estas advertencias y a las instrucciones indicadas en la etiqueta.

Independientemente del nivel de experiencia adquirido en el pasado con dispositivos similares, se recomienda leer con atención este manual antes de la instalación, de la puesta en funcionamiento del producto o de cualquier intervención de mantenimiento.

##### 4.2 ETIQUETADO Y CONTROL DE SEGUIMIENTO DEL DISPOSITIVO










Cada dispositivo está equipado con una etiqueta, colocada en el dispositivo mismo y/o en el paquete, donde se indican los datos de identificación del Fabricante, del producto, el marcado CE, el número de matrícula (SN) o el lote (LOT). La etiqueta no debe quitarse ni cubrirse.

En caso de daños o extracción, pida una copia al Fabricante, de lo contrario, la garantía perderá validez porque el dispositivo ya no se podrá rastrear.

En caso de que no se logre acceder al lote/SN asignado, es necesario reacondicionar el dispositivo, lo que se prevé solo bajo la responsabilidad del fabricante.

El Reglamento UE 2017/754 requiere que los fabricantes y los distribuidores de productos sanitarios realicen el seguimiento de su ubicación. Si el dispositivo se encuentra en un lugar diferente de la dirección a la que se ha enviado o ha sido vendido, donado, perdido, robado, exportado o destruido, puesto permanentemente fuera de servicio o si el dispositivo no ha sido entregado directamente por Spencer Italia S.r.l., registre el dispositivo en la dirección <http://service.spencer.it>, o informe a la Asistencia al cliente (consulte el apartado 4.4).

##### 4.3 SÍMBOLOS

Símbolo	Significado
	Dispositivo compatible con el Reglamento UE 2017/745
	Producto sanitario
	Fabricante
	Fecha de fabricación
	Peligro - Indica una situación de peligro que puede dar lugar a una situación directamente relacionada con lesiones graves o letales
	Consulte el manual de uso
	Número de lote
	Código del producto
	Identificador único del dispositivo

##### 4.4 GARANTÍA Y ASISTENCIA

Spencer Italia S.r.l. garantiza que los productos no tendrán defectos durante un periodo de un **año a partir de la fecha de compra**.

Para obtener información relativa a la correcta interpretación de las instrucciones, al uso, al mantenimiento, a la instalación o a la devolución, póngase en contacto con la Asistencia a Clientes Spencer, tel. +39 0521 541154, fax +39 0521 541222, correo electrónico [service@spencer.it](mailto:service@spencer.it).

Para facilitar las operaciones de asistencia, indique siempre el número de lote (LOT) o la matrícula (SN) citada en la etiqueta aplicada en el embalaje o en el dispositivo mismo.

Las condiciones de garantía y asistencia están disponibles en el sitio <http://support.spencer.it>.



Nota:


Registre y guarde junto con estas instrucciones: lote (LOT) o matrícula (SN) si está presente, lugar y fecha de compra, fecha del primer uso, fecha de los controles, nombre de los usuarios y comentarios.

## 5. ADVERTENCIAS/PELIGROS

 Las advertencias, los peligros, las notas y otra información de seguridad importante se indican en esta sección y son claramente visibles en todo el manual.

Al menos cada 6 meses, es importante comprobar la presencia de instrucciones actualizadas y eventuales modificaciones que tengan que ver con el producto. Esta información puede consultarse libremente en el sitio web [www.spencer.it](http://www.spencer.it) en la página dedicada al producto.

### Funcionalidad del producto

 Se prohíbe el empleo del producto para cualquier otro uso distinto de aquel descrito en el Manual de Uso.

- Antes de cada uso, compruebe siempre la integridad del producto, como se especifica en el Manual de uso y en caso de anomalías/daños que puedan comprometer la funcionalidad/seguridad, es necesario ponerlo fuera de servicio y contactar con el Fabricante.
- En caso de detectarse un funcionamiento incorrecto del producto, use inmediatamente un dispositivo similar para garantizar la continuidad de las operaciones en curso. El dispositivo no conforme debe ponerse fuera de funcionamiento.
- El producto no debe manipularse ni modificarse sin la autorización del fabricante (modificación, retoque, adición, reparación), ya que esto puede ocasionar o suponer peligros inminentes de lesiones a personas y daños materiales. De lo contrario, se declina cualquier responsabilidad por el funcionamiento incorrecto o por eventuales daños provocados por el producto mismo; además, se anula la marca CE y la garantía del producto.
- Durante el uso de los dispositivos, deben colocarse y regularse para que no obstaculicen las operaciones de los operadores y el uso de otros equipos.
- Asegúrese de haber tomado todas las precauciones necesarias para evitar peligros derivados del contacto con sangre o secreciones corporales, en lo posible.
- Evite el contacto con objetos afilados o abrasivos.
- Temperatura de uso: de -5 °C a +50 °C

### Almacenamiento

- El producto no debe exponerse, ni entrar en contacto con fuentes térmicas de combustión y con agentes inflamables, sino que debe almacenarse en un lugar seco, fresco, protegido contra la luz y los rayos del sol.
- No almacene el producto debajo de otros materiales más o menos pesados, ya que pueden dañar el dispositivo.
- Almacene y transporte el producto con su embalaje original, en caso contrario la garantía resultará invalidada.
- Temperatura de almacenamiento: de -10 °C a +60 °C

### Requisitos de regulación

En calidad de Distribuidor o Usuario final de los productos fabricados y/o comercializados por Spencer Italia S.r.l., es necesario conocer rigurosamente las disposiciones legales vigentes en el país de destino de los productos, aplicables a los dispositivos objeto del suministro (incluidas las normas relativas a las especificaciones técnicas y/o a los requisitos de seguridad) y, por lo tanto, conocer las obligaciones necesarias para garantizar que los productos cumplan con todos los requisitos legales del territorio.

- Informe inmediata y detalladamente a Spencer Italia S.r.l. (ya en fase de solicitud del presupuesto) sobre eventuales cumplimientos a cargo del Fabricante necesarios para la conformidad de los productos a los requisitos específicos legales del territorio (incluidos aquellos derivados de reglamentos y/o disposiciones reglamentarias de otro tipo).
- Actúe con cuidado y diligencia para contribuir a garantizar la conformidad de los requisitos generales de seguridad de los dispositivos suministrados en el mercado, proporcionando a los usuarios finales toda la información necesaria para realizar actividades de revisión periódica sobre los dispositivos suministrados, tal y como se indica en el Manual de uso.
- **Participe en el control de seguridad del producto** comercializado, remitiendo información referente a los riesgos del producto al Fabricante y a las Autoridades Competentes para así poder adoptar las medidas oportunas que sean de su competencia.
- Dado por asumido lo que se ha mencionado anteriormente, el Distribuidor o el Usuario final se asume toda la responsabilidad relativa al incumplimiento de las incumbencias con consiguiente obligación de mantener Spencer Italia S.r.l. indemne o liberarla de cualquier, posible, efecto perjudicial relativo.
- Con respecto al Reglamento UE 2017/745, se recuerda que los operadores públicos o privados, que en el ejercicio de su actividad detectan un accidente relacionado con un producto sanitario, deben notificarlo al Ministerio de la salud, en los términos y según las modalidades establecidas con uno o varios decretos ministeriales, y al Fabricante. Los operadores sanitarios públicos o privados deben notificar al Fabricante cualquier otro inconveniente que pueda permitir adoptar medidas adecuadas para garantizar la protección y la salud de los pacientes y de los usuarios.

### Advertencias generales para los productos sanitarios

El usuario debe leer atentamente, además de las advertencias generales, también las que se indican a continuación.

- No se prevé que la aplicación del dispositivo dure más del tiempo necesario para las operaciones de primera intervención y las fases posteriores de transporte hasta el punto de socorro más cercano.
- Durante el uso del dispositivo debe garantizarse la asistencia de personal cualificado y debe haber al menos dos operadores.
- No lo use si el dispositivo o sus partes están perforadas, rotas, deshilachadas o demasiado desgastadas.

- Siga los procedimientos y los protocolos internos aprobados por su organización.

- ⚠️ • No altere ni modifique arbitrariamente el dispositivo, porque su modificación puede provocar un funcionamiento impredecible y daños al paciente o a los socorristas y la pérdida de la garantía liberando al Fabricante de cualquier responsabilidad.
- No use secadoras para secar el dispositivo.
- En caso de piel expuesta y/o lesionada, cubra las superficies en contacto con el paciente con unas sábanas quirúrgicas que respeten las normas de biocompatibilidad para proteger la salud del paciente.

## 6. ADVERTENCIAS ESPECÍFICAS

Para el uso de los cinturones de sujeción, es necesario también haber leído, comprendido y seguir atentamente todas las indicaciones contenidas en el manual de uso.

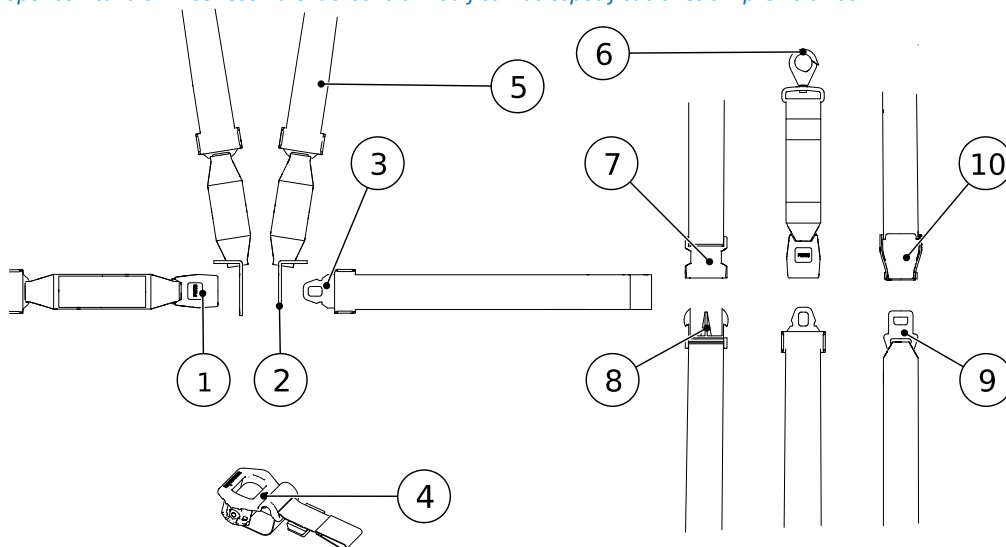
- ⚠️ • Respete siempre las especificaciones de colocación establecidas por el dispositivo con el cual se usan los cinturones. Además, el operador debe evaluar que las dimensiones totales del paciente no reduzcan la funcionalidad del producto.
- Aplicar siempre el número de cinturones previsto por el equipo de transporte que se utilice.
- ⚠️ • **Realizar simulacros de rescate con los cinturones aplicados al producto con el cual se utilizarán y una carga que simule un paciente y accesorios, antes de poner en servicio el dispositivo.**
- Establecer un programa de mantenimiento y de controles periódicos nombrando un encargado de referencia. El sujeto que se encarga del mantenimiento ordinario del dispositivo debe garantizar los requisitos básicos que prevé el fabricante en estas instrucciones para el uso.
- Todas las actividades de mantenimiento deben registrarse y documentarse con los informes de intervención técnica relacionados y la documentación deberá mantenerse al menos durante 10 años a partir del final de vida útil del dispositivo y deberá ponerse a disposición de las Autoridades competentes y/o del fabricante, cuando la soliciten.
- Evitar el contacto con objetos afilados.
- Siga los procedimientos aprobados por el Servicio Médico de Emergencia para la inmovilización y el transporte del paciente.
- Siga los procedimientos aprobados por el Servicio Médico de Emergencia para el posicionamiento y el transporte del paciente.
- ⚠️ • Antes de cada uso, comprobar siempre la integridad del dispositivo y de sus componentes, como se especifica en el manual de uso. En caso de anomalías o daños que puedan comprometer la funcionalidad y la seguridad del dispositivo y también la del paciente y del operador, es necesario poner fuera de servicio el dispositivo.
- ⚠️ • No alterar ni modificar el dispositivo para adaptarlo a condiciones de uso que no estén previstas: su modificación puede provocar un funcionamiento impredecible y daños al paciente o al personal de los equipos de rescate, así como la pérdida de la garantía eximiendo al fabricante de cualquier responsabilidad.
- Para preservar la vida útil del dispositivo, es necesario protegerlo lo máximo posible contra los rayos UV y las condiciones meteorológicas adversas.
- ⚠️ • Asegúrese de que las hebillas estén adecuadamente fijadas al cinturón, que estén en buen estado y funcionen correctamente.

## 7. RIESGO RESIDUAL

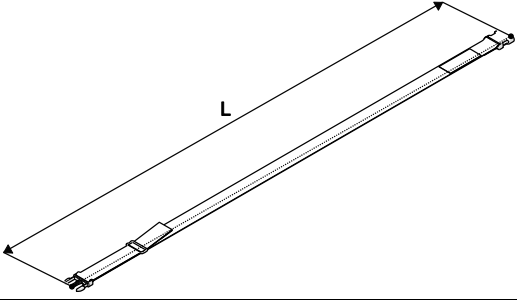
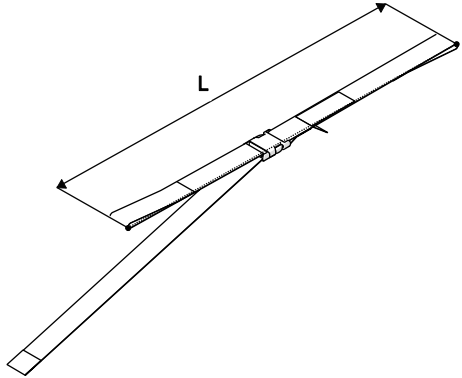
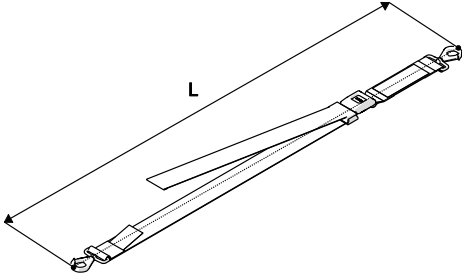
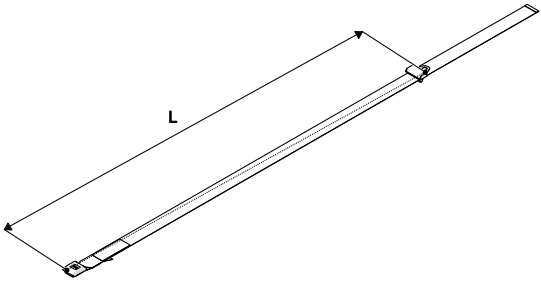
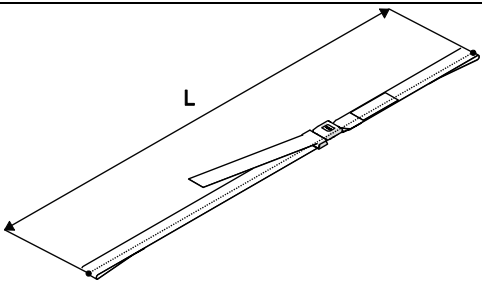
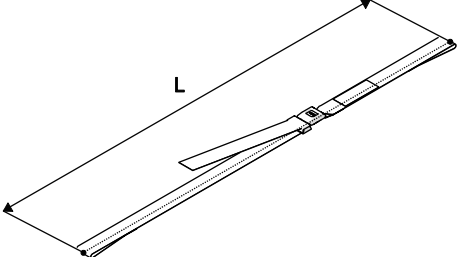
No se identifican riesgos residuales, es decir, riesgos que pueden surgir a pesar de que se respeten todas las advertencias de este manual de uso.

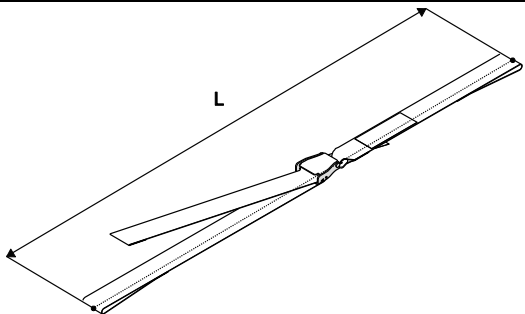
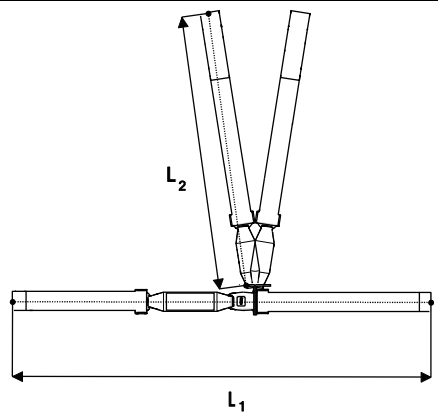
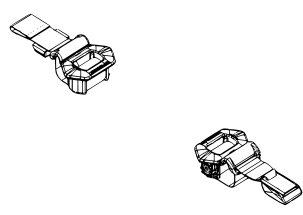
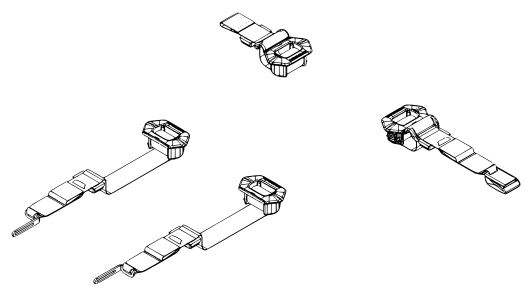
## 8. DATOS TÉCNICOS Y COMPONENTES

*Nota: Spencer Italia S.r.l. se reserva el derecho a modificar las especificaciones sin previo aviso.*



Id	Descripción	Id	Descripción
1	Hebillas de metal hembra	6	Mosquetón
2	Gancho de tórax	7	Gancho de plástico hembra
3	Gancho de metal macho	8	Gancho de plástico macho
4	Enrollador	9	Gancho de aluminio macho
5	Cinta de cinturón de tórax	10	Gancho de aluminio hembra

COMPONENTE DEL CINTURÓN		MATERIAL	
Hebilla de metal		Acero cromado y plástico	
Hebilla de plástico		Nailon	
Hebilla de aluminio		Aluminio	
Cinta		Nailon	
MODELO		L máx. (mm)	L mín. (mm)
STX 597		1900	400
STX 598		1500	700
STX 494		1600	450
STX 591 STX 701		1850	350
STX 592		1600	600
STX 702 STX 526		1600	600

STX 580		1600	700
STX 499		<b>L<sub>1</sub> máx. (mm)</b>	<b>L<sub>1</sub> mín. (mm)</b>
		1700	600
DNA STRAP		<b>L<sub>2</sub> máx. (mm)</b>	<b>L<sub>2</sub> mín. (mm)</b>
		1200	300
DNA STRAP DE TÓRAX		<b>L máx. cinta macho</b>	<b>L máx. cinta hembra</b>
		800	500
		<b>L máx. cinta macho</b>	<b>L máx. cinta hembra</b>
		800	700
		<b>L máx. cintas hombros</b>	
		1100	

## 9. PUESTA EN FUNCIONAMIENTO

Antes del primer uso, compruebe:

- Que el embalaje esté intacto y haya protegido el dispositivo durante el transporte.
- Que estén presentes todas las piezas enumeradas en la lista de acompañamiento.
- La funcionalidad general del dispositivo.
- El estado de limpieza del producto.
- Ausencia de cortes, agujeros, roturas o abrasiones en toda la estructura.
- Estado de desgaste del dispositivo.
- Compruebe que las hebillas funcionen correctamente
- Compruebe que los mosquetones funcionen correctamente, si están presentes en el modelo
- Compruebe que el enrollador funcione correctamente, si está presente en el modelo

Comprobar en el apartado 11, los modos de uso para la realización de las verificaciones mencionadas.

Por ningún motivo modifique partes del dispositivo, porque esto puede causar daños al paciente y/o a los socorristas.



**El incumplimiento de las medidas mencionadas obstaculiza la seguridad de uso del dispositivo, con consiguiente riesgo de daños para el paciente, los operadores y el dispositivo mismo.**

**Para usos posteriores, efectúe las operaciones especificadas en el apartado 12.**

Si las condiciones indicadas se respetan, el dispositivo puede considerarse listo para el uso; de lo contrario, es necesario poner el dispositivo inmediatamente fuera de servicio y ponerse en contacto con el Fabricante.

No altere ni modifique arbitrariamente el dispositivo; su modificación puede provocar un funcionamiento impredecible y daños al paciente o a los socorristas, además, invalidará la garantía y liberará al Fabricante de cualquier responsabilidad.

## 10. CARACTERÍSTICAS DE FUNCIONAMIENTO

Para las características de funcionamiento, consulte el apartado 11 - Modo de uso

## 11. MODO DE USO

Antes de ocuparse del paciente, deben efectuarse las evaluaciones médicas primarias.

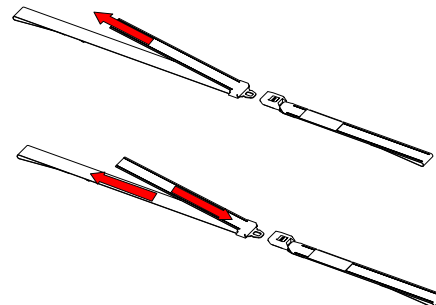
Antes de usar cualquier tipo de cinturón descrito en este manual, lea atentamente las instrucciones de uso del dispositivo con el que se utilizará el cinturón.

### 11.7 Regulación de la longitud

La longitud de los cinturones puede regularse para adaptarse eficazmente al paciente teniendo en cuenta el dispositivo que se utilice.

Para apretar el cinturón, tire del extremo libre del cinturón hacia el lado opuesto a la hebilla.

Para alargar el cinturón, presione el extremo libre hacia el interior de la hebilla, luego tire de la cinta que sale de la hebilla. Repita la operación varias veces hasta alcanzar longitud deseada.



### 11.8 Enganche y desenganche del cinturón

Tipo de gancho	Enganche	Desenganche
Metal		
Plástico		
Aluminio		
Torácica		

### 11.9 Uso de los cinturones de 1 pieza

Los cinturones de 1 pieza son adecuados para usar con:

- Colchones de depresión
- Camillas tipo cuchara

Para colocar los cinturones, extiéndalos en el suelo, coloque el dispositivo con el cual se desea utilizar sobre los cinturones, coloque al paciente de acuerdo con las instrucciones del dispositivo que esté utilizando, luego regule y cierre los cinturones para que el cliente quede sujeto al dispositivo.

Compruebe que la operación se haya realizado correctamente y que el paciente esté correctamente sujeto al dispositivo.

### 11.10 Uso de los cinturones de 2 piezas

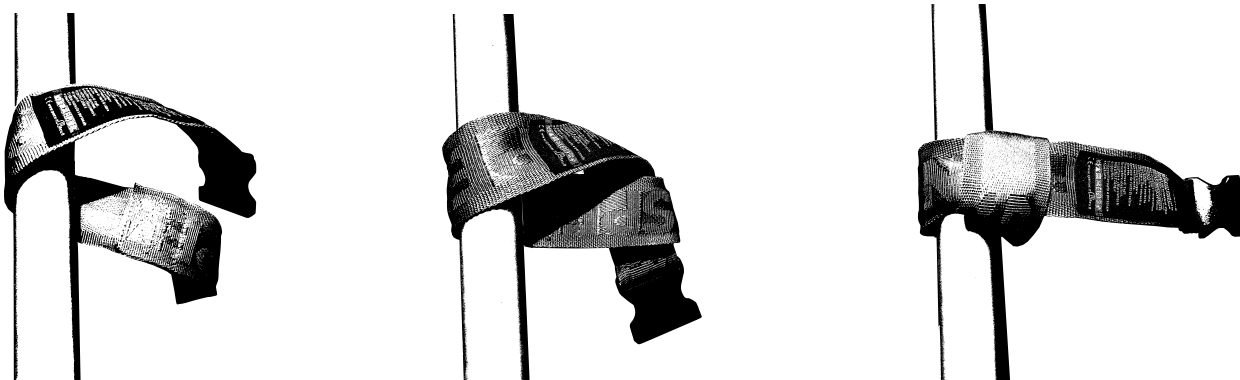
Los cinturones de 2 piezas son adecuados para usar con:

- camillas para ambulancias
- camillas de emergencia
- tablas espinales
- camillas tipo cuchara
- colchones de depresión equipados con cuerda perimetral
- camillas tipo cesta
- sillas de evacuación
- sillas salvaescaleras

La elección del tipo de hebilla depende de las especificaciones de uso del dispositivo que se utilice.

Para colocar los cinturones de dos piezas, localice el punto del dispositivo en el que se aplicarán de acuerdo con las instrucciones de dicho dispositivo. Envuelva la parte correspondiente del bastidor y luego coloque el cinturón haciendo un nudo con el mismo.

Regule su longitud y ciérrelos para sujetar al paciente en el dispositivo.



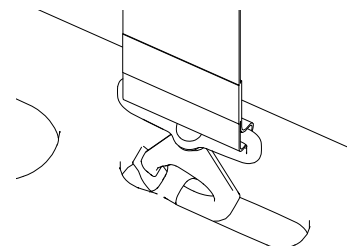
### 11.11 Uso de los cinturones con mosquetón

Los cinturones con mosquetón son adecuados para usar con:

- tablas espinales con PIN
- colchones de depresión con ojales para su colocación.

Para colocarlos, localice el PIN o el ojal en el que se aplicará el mosquetón, luego presione la parte móvil del mosquetón hacia el PIN o el ojal haciéndolo entrar dentro del mosquetón.

Después de comprobar la correcta aplicación del cinturón, regule su longitud y ciérrelos para sujetar al paciente en el dispositivo.

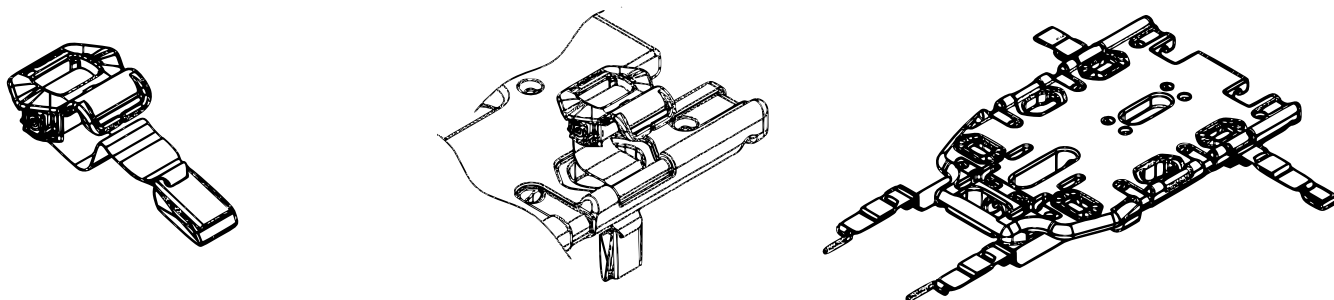
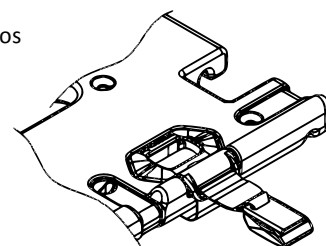


### 11.12 Instalación de DNA strap

Los cinturones DNA strap son adecuados para el uso con camillas con superficie para el paciente con asientos específicos.

Para aplicarlos, proceda de la siguiente manera:

- 1 – Quite la cinta de su asiento presente en el enrollador.
- 2 – Introduzca el sistema DNA, manteniendo tensada la cinta, en la cavidad específica presente en el bastidor de la plataforma. La cinta macho y la hembra deben estar respectivamente a la izquierda y a la derecha de la plataforma.
- 3 – Vuelva a introducir los cinturones en la ranura del enrollador DNA para completar la instalación
- 4 – Proceda de la misma manera para los sistemas torácicos



Tras colocar al paciente, enganche los cinturones y compruebe que estén colocados correctamente.

Los DNA straps no cuentan con un pretensor. Por lo tanto, deben regularse manualmente después de haberlos enganchado, tensando las correas y llevando el enrollador hasta el final del recorrido.



Una regulación incorrecta hace que el dispositivo sea inseguro e ineficaz.

## 12. LIMPIEZA Y MANTENIMIENTO

**Spencer Italia S.r.l. declina cualquier responsabilidad por daños, directos o indirectos, que sean una consecuencia de un uso inadecuado del producto y de los repuestos y/o de cualquier intervención de reparación efectuada por un sujeto que no sea el Fabricante, que cuenta con técnicos internos y externos especializados y autorizados; además, la garantía resultará invalidada.**

- Durante todas las operaciones de control, mantenimiento y desinfección, el operador debe usar equipos de protección individual adecuados, como guantes, gafas, etc.
- Establezca un programa de mantenimiento, controles periódicos y prórrogas del promedio de vida útil, si está previsto por el Fabricante en el Manual de uso, identificando un encargado de referencia que posea los requisitos básicos definidos en el Manual de uso.
- **La frecuencia de los controles está determinada por factores como las prescripciones legales, el tipo de uso, la frecuencia de uso, las condiciones ambientales durante el uso y el almacenamiento.**
- La reparación de los productos realizados por Spencer Italia S.r.l. debe ser efectuada necesariamente por el Fabricante, que cuenta con técnicos internos o externos especializados que, usando repuestos originales, proporcionan un servicio de reparación de calidad conforme con las especificaciones técnicas indicadas por el Fabricante. Spencer Italia S.r.l. declina cualquier responsabilidad por cualquier daño, directo o indirecto, que sea una consecuencia de un uso inadecuado de los repuestos y/o de cualquier intervención de reparación efectuada por personas no autorizadas.
- El reacondicionamiento, proceso realizado en el dispositivo para permitir el restablecimiento de la seguridad técnica y funcional del dispositivo usado, por ejemplo una nueva matriculación, debe ser realizado por el Fabricante.
- Todas las actividades de mantenimiento y revisión deben registrarse y documentarse con los informes de intervención técnica correspondientes, y la documentación deberá mantenerse al menos durante 10 años a partir del final de vida útil del producto y deberá ponerse a disposición de las Autoridades competentes y/o del Fabricante, cuando la soliciten.
- La limpieza, prevista para los productos reutilizables, debe realizarse respetando las indicaciones proporcionadas por el Fabricante en el Manual de uso, para evitar el riesgo de infecciones cruzadas debidas a la presencia de secreciones y/o residuos.

### 12.1 LIMPIEZA

El incumplimiento de las operaciones de limpieza puede conducir al riesgo de infecciones cruzadas debidas a la presencia de secreciones y/o residuos.

Durante todas las operaciones de control y desinfección, el operador debe usar equipos de protección individual adecuados, como guantes, gafas, etc.

Las eventuales partes metálicas expuestas a los agentes externos se someten a tratamientos superficiales y/o a barnizado, para obtener una resistencia mejor. Lave las partes expuestas con agua tibia y jabón neutro; **no use nunca disolventes o quitamanchas.**

Enjuague bien con agua tibia, verificando que ha eliminado cualquier rastro de jabón que puede deteriorarlas o comprometer su integridad y duración. **Evite el uso de agua con alta presión**, ya que esta penetra en las juntas y puede crear el riesgo de corrosión de los componentes. Deje secar perfectamente antes de almacenarla. El secado después del lavado o después del uso en un ambiente húmedo debe ser natural y no forzado; no use llamas u otras fuentes de calor indirecto.

En caso de eventual **desinfección** use productos que, además de clasificarse como instrumentales médicos y quirúrgicos, no tengan acción disolvente o corrosiva en los materiales que constituyen el dispositivo. Asegúrese de haber tomado todas las precauciones necesarias para garantizar que no haya riesgos de infección cruzada o contaminación de pacientes y operadores.

En caso de productos desechables no se prevé una limpieza, siempre que el producto esté almacenado y embalado correctamente según las especificaciones del fabricante.

### 12.2 MANTENIMIENTO ORDINARIO

Es necesario establecer un programa de controles periódicos, asignando un encargado de referencia. El sujeto que se encargue del mantenimiento del dispositivo debe garantizar el cumplimiento de los requisitos básicos que prevé el presente manual de uso.

Todas las actividades de mantenimiento deben registrarse y documentarse con los informes de intervención técnica correspondientes. Dicha documentación deberá mantenerse durante al menos 10 años a partir del final de vida útil del dispositivo y, cuando se solicite, deberá ponerse a disposición de las Autoridades competentes y/o del Fabricante.

Durante todas las operaciones de control, mantenimiento y desinfección, el operador debe usar equipos de protección individual adecuados, como guantes, gafas, etc.

El dispositivo no necesita un programa de mantenimiento ordinario, pero es necesario efectuar comprobaciones antes y después de cada uso, para comprobar:

- La funcionalidad general del dispositivo.
- El estado de limpieza del dispositivo (recuerde que el incumplimiento de las operaciones de limpieza puede conducir al riesgo de infecciones cruzadas).
- El cumplimiento de los requisitos previstos por el manual de uso en la sección 5 «Advertencias» y 6 «Advertencias específicas».
- El cumplimiento de los requisitos previstos por el manual en la sección 11 «Modo de uso».

Use solo componentes/repuestos y/o accesorios originales o aprobados por Spencer Italia S.r.l. para efectuar todas las operaciones sin ocasionar alteraciones o modificaciones en el dispositivo; de lo contrario, se declina cualquier responsabilidad de funcionamiento

incorrecto o por daños provocados por el dispositivo mismo al paciente o al operador, invalidando su garantía y anulando el cumplimiento del Reglamento UE 2017/745.

### 12.3 REVISIÓN PERIÓDICA

No se prevé una revisión periódica para el dispositivo.

### 12.4 MANTENIMIENTO EXTRAORDINARIO

Estos dispositivos no requieren un mantenimiento extraordinario.

### 12.5 TIEMPO DE VIDA ÚTIL

**Si se utiliza tal y como se indica en las siguientes instrucciones, el dispositivo tiene una vida útil de 2 años desde la fecha de compra.**

Spencer Italia S.r.l. declina cualquier responsabilidad por el funcionamiento incorrecto o por eventuales daños provocados por el uso de dispositivos que hayan superado el tiempo de vida útil máximo admitido.

## 13. TABLA DE GESTIÓN DE FALLAS

PROBLEMA	CAUSA	SOLUCIÓN
No se puede enganchar la hebilla de plástico	La hebilla no se ha colocado correctamente	Coloque la hebilla asegurándose de que la parte macho y la parte hembra estén correctamente alineadas y que una de las dos no esté al revés.
No se puede enganchar la hebilla de metal		
<b>La hebilla de metal no se desengancha</b>	<b>Componentes internos dañados</b>	Poner el dispositivo inmediatamente fuera de servicio y sustituirlo por uno análogo
El enrollador de los cinturones DNA no funciona	Rotura o estiramiento del muelle interno	Poner el dispositivo inmediatamente fuera de servicio y sustituirlo por uno análogo

**En caso de que el problema o la avería detectada no corresponda con lo mencionado anteriormente, póngase en contacto con el servicio de asistencia Spencer Italia S.r.l.**

## 14. ACCESORIOS

No hay disponibles accesorios para estos dispositivos

## 15. RECAMBIOS

No hay recambios disponibles para estos dispositivos

## 16. ELIMINACIÓN

Una vez que los dispositivos y sus accesorios ya no sean utilizables, en caso de que no estén contaminados por agentes particulares, pueden eliminarse como residuos urbanos normales; en caso contrario, respete las normas vigentes en materia de eliminación.



<b>1. MODELOS</b>	<b>58</b>
<b>2. USO PRETENDIDO</b>	<b>58</b>
2.1    USO PRETENDIDO E BENEFÍCIOS CLÍNICOS	58
2.2    PACIENTES DESTINATÁRIOS	58
2.3    CRITÉRIOS DE SELEÇÃO DOS PACIENTES	58
2.4    CONTRAINDICAÇÕES E EFEITOS COLATERAIS INDESEJADOS	58
2.5    UTILIZADORES E INSTALADORES	58
2.5.1    FORMAÇÃO DOS UTILIZADORES	58
2.5.2    FORMAÇÃO DO INSTALADOR	58
<b>3. NORMATIVA DE REFERÊNCIA</b>	<b>58</b>
<b>4. INTRODUÇÃO</b>	<b>59</b>
4.1    UTILIZAÇÃO DO MANUAL	59
4.2    ETIQUETAGEM E CONTROLO DA RASTREABILIDADE DO PRODUTO	59
4.3    SÍMBOLOS	59
4.4    GARANTIA E ASSISTÊNCIA	59
<b>5. ADVERTÊNCIAS/PERIGOS</b>	<b>60</b>
<b>6. ADVERTÊNCIAS ESPECÍFICAS</b>	<b>61</b>
<b>7. RISCO RESIDUAL</b>	<b>61</b>
<b>8. DADOS TÉCNICOS E COMPONENTES</b>	<b>61</b>
<b>9. COLOCAÇÃO EM FUNÇÃO</b>	<b>63</b>
<b>10. CARACTERÍSTICAS FUNCIONAIS</b>	<b>64</b>
<b>11. MODO DE UTILIZAÇÃO</b>	<b>64</b>
11.1    REGULAÇÃO DO COMPRIMENTO	64
11.2    ENGATE E DESENGATE DO CINTO	64
11.3    UTILIZAÇÃO DOS CINTOS DE 1 ELEMENTO	64
11.4    UTILIZAÇÃO DOS CINTOS DE 2 ELEMENTOS	65
11.5    UTILIZAÇÃO DOS CINTOS COM MOSQUETÃO	65
11.6    INSTALAÇÃO DOS CINTOS TIPO DNA STRAP	65
<b>12. LIMPEZA E MANUTENÇÃO</b>	<b>66</b>
12.1    LIMPEZA	66
12.2    MANUTENÇÃO ORDINÁRIA	66
12.3    REVISÃO PERIÓDICA	67
12.4    MANUTENÇÃO EXTRAORDINÁRIA	67
12.5    VIDA ÚTIL	67
<b>13. TABELA PARA A RESOLUÇÃO DE PROBLEMAS</b>	<b>67</b>
<b>14. ACESSÓRIOS</b>	<b>67</b>
<b>15. PEÇAS SOBRESSALENTES</b>	<b>67</b>
<b>16. ELIMINAÇÃO</b>	<b>67</b>

#### Advertência

As informações contidas neste documento estão sujeitas a alteração sem aviso prévio e devem ser entendidas como um compromisso da Spencer Italia S.r.l. sob reserva de possíveis modificações. Os produtos da Spencer são exportados para muitos países onde nem sempre se aplicam regras idênticas. Por esta razão, podem existir diferenças entre as descrições aqui apresentadas e os produtos fornecidos. A Spencer trabalha constantemente para aperfeiçoar todos os tipos e modelos de produtos comercializados. Contamos, portanto, com sua compreensão e nos reservamos o direito de fazer alterações no fornecimento, a qualquer momento, em termos de forma, equipamento, construção e técnica em relação ao aqui acordado.

© Copyright Spencer Italia S.r.l.

Todos os direitos reservados. Este documento não pode ser, parcial ou integralmente, fotocopiado, reproduzido ou traduzido para outro idioma sem o consentimento prévio e por escrito da Spencer Italia S.r.l..

## 1. MODELOS

Os modelos básicos apresentados a seguir estão sujeitos a implementações ou alterações sem aviso prévio.

MODELO	TIPO DE CINTO	GANCHO
STX 597	1 ELEMENTO	MATERIAL PLÁSTICO
STX 598	2 ELEMENTOS	MATERIAL PLÁSTICO
STX 591	1 ELEMENTO	METAL
STX 494	2 ELEMENTOS	MOSQUETÃO
STX 592	2 ELEMENTOS	METAL
STX 526	2 ELEMENTOS	METAL
STX 701	1 ELEMENTO	METAL
STX 702	2 ELEMENTOS	METAL
STX 580	2 UNIDADES	ALUMÍNIO
STX 499	4 ELEMENTOS, TORÁCICO	METAL
DNA STRAP	2 ELEMENTOS, COM ENROLADOR	METAL
DNA STRAP TORÁCICO	4 ELEMENTOS, COM ENROLADOR	METAL

## 2. USO PRETENDIDO

### 2.1 USO PRETENDIDO E BENEFÍCIOS CLÍNICOS

O cinto é um dispositivo de auxílio a utilizar para obter um grau de retenção que permita o transporte do paciente em condições de segurança, se utilizado em conformidade com as indicações do equipamento ao qual é combinado.

### 2.2 PACIENTES DESTINATÁRIOS

Não há indicações particulares relacionadas ao grupo de pacientes.

Outras limitações de uso podem estar relacionadas ao equipamento ao qual o cinto é combinado. Para este propósito, referir-se às instruções de uso do equipamento de transporte em uso.

### 2.3 CRITÉRIOS DE SELEÇÃO DOS PACIENTES

Os critérios de seleção dos pacientes esperados são aqueles aplicáveis ao equipamento com o qual o cinto é utilizado.

### 2.4 CONTRAINDICAÇÕES E EFEITOS COLATERAIS INDESEJADOS

Não são conhecidas particulares contra-indicações ou efeitos colaterais decorrentes do uso do dispositivo, desde que sejam observadas as prescrições deste Manual de Uso.

### 2.5 UTILIZADORES E INSTALADORES

Os utilizadores previstos são equipas de resgate, pessoas com experiência na imobilização, movimentação e transporte de pacientes. Os dispositivos não se destinam a utilizadores leigos.

Os cintos de retenção são um dispositivo de uso exclusivo profissional. Não permitir que pessoas não treinadas ajudem durante as operações, pois podem causar lesões a si mesmas ou a outras pessoas.

Não obstante todos os esforços desenvolvidos, testes de laboratório, ensaios, instruções de uso, normas nem sempre conseguem reproduzir a prática: portanto, os resultados obtidos nas condições reais de uso do produto no ambiente natural podem por vezes diferir, mesmo de forma relevante.

As melhores instruções provêm de uma prática contínua de uso, sob a supervisão de pessoal competente e preparado.

Os operadores que utilizam o dispositivo devem ter boas capacidades físicas e coordenação muscular. As capacidades dos operadores devem ser atentamente avaliadas antes da definição das funções na equipa.

**Os operadores devem ser capazes de fornecer a assistência necessária ao paciente.**

#### 2.5.1 FORMAÇÃO DOS UTILIZADORES

- Independentemente do nível de experiência adquirido anteriormente com dispositivos similares, é necessário ler com atenção e compreender o conteúdo deste Manual antes da instalação e colocação em uso do produto ou de qualquer intervenção de manutenção. Em caso de dúvidas, entrar em contacto com a Spencer Italia S.r.l. e solicitar os esclarecimentos necessários.
- O produto deve ser utilizado exclusivamente por pessoal treinado para trabalhar com este dispositivo e não com outros semelhantes.
- A aptidão dos operadores a utilizar o produto pode ser documentada em um livro de registo de formação, na qual estão especificadas pessoas formadas, formadores, data e lugar. **Esta documentação deve ser mantida por pelo menos 10 anos a partir do final da vida útil do produto e deve ser colocada à disposição das Autoridades competentes e/ou do Fabricante quando solicitada. Caso contrário, os órgãos responsáveis aplicarão as sanções previstas.**
- Não permitir que pessoas não treinadas ajudem durante as operações, pois podem causar lesões a si mesmas ou a outras pessoas.

*Nota: A Spencer Italia S.r.l. está sempre disponível para a preparação de cursos de formação.*

#### 2.5.2 FORMAÇÃO DO INSTALADOR

O instalador de cintos DNA deve ser capaz de compreender o conteúdo deste Manual e deve garantir, adicionalmente, que a instalação deste dispositivo foi realizada primorosamente, conforme descrito no Par. 11.6.

Para os outros dispositivos descritos neste Manual não é necessária qualquer instalação.

## 3. NORMATIVA DE REFERÊNCIA

Na qualidade de Distribuidor ou Utilizador final dos produtos fabricados e/ou comercializados por Spencer Italia S.r.l., é rigorosamente exigido o conhecimento das disposições de lei em vigor no País de destino da mercadoria, aplicáveis aos dispositivos objeto do fornecimento (com inclusão das normas relativas a especificações técnicas e/ou requisitos de segurança) e, portanto, o cumprimento das obrigações necessárias para garantir a conformidade dos produtos com todas as prescrições legais locais.

REFERÊNCIA	TÍTULO DO DOCUMENTO
Regulamento UE 2017/745	Regulamento UE relativo aos Dispositivos Médicos

#### 4. INTRODUÇÃO

##### 4.1 UTILIZAÇÃO DO MANUAL

Este Manual tem o objetivo de fornecer ao operador sanitário as informações necessárias para garantir uma utilização segura e apropriada, bem como uma manutenção adequada do dispositivo.

*Nota: o Manual é parte integrante do dispositivo e, portanto, deverá ser conservado durante toda a vida útil do mesmo; deverá, ademais, acompanhar o dispositivo em caso de mudança de uso ou propriedade deste último. Caso estejam presentes instruções de uso relativas a um outro produto, diferente do recebido, entrar imediatamente em contacto com o Fabricante.*

Os Manuais de Uso dos produtos Spencer podem ser descarregados a partir do sítio Web <http://support.spencer.it> ou solicitados diretamente junto ao Fabricante. Uma exceção é representada pelos produtos cuja essencialidade e utilização razoável e previsível sejam tais que não haja necessidade de elaborar instruções adicionais, para além das seguintes advertências e das indicações apresentadas na etiqueta.

Independentemente do nível de experiência adquirido anteriormente com dispositivos similares, é recomendável ler com atenção este Manual antes da instalação e colocação em uso do produto ou de qualquer intervenção de manutenção.

##### 4.2 ETIQUETAGEM E CONTROLO DA RASTREABILIDADE DO PRODUTO










Todos os dispositivos são dotados de etiqueta, posicionada em seu corpo e/ou na embalagem, que contém todos os dados identificativos do Fabricante, produto, marcação CE, número de série (SN) ou lote de fabrico (LOT). Esta etiqueta não deve ser removida ou ocultada.

Em caso de danos ou remoção solicitar um duplicado ao Fabricante, sob pena de perda da validade da garantia, pois o dispositivo não poderá mais ser rastreado.

Se não for possível identificar o lote de fabrico/número de série será necessário realizar o acondicionamento do dispositivo, previsto apenas sob a responsabilidade do fabricante.

O Regulamento UE 2017/754 exige que os produtores e os fabricantes de dispositivos médicos mantenham um mapa de sua localização. Se o dispositivo estiver localizado em um lugar diferente do endereço para o qual foi enviado, ou foi vendido, doado, perdido, roubado, exportado ou destruído, tornado permanentemente inutilizável, ou ainda, se o dispositivo não foi entregue diretamente pela Spencer Italia S.r.l., registre-o no endereço <http://service.spencer.it> ou entre em contacto com o Serviço de Assistência ao Cliente (§ 4.4)!

##### 4.3 SÍMBOLOS

Símbolo	Significado
	Dispositivo conforme ao Regulamento UE 2017/745
	Dispositivo Médico
	Fabricante
	Data de fabrico
	Perigo – Indica uma condição de perigo que pode resultar em uma situação diretamente relacionada a lesões graves ou mortais
	Consultar o Manual de Uso
	Número de lote
	Código do produto
	Identificador Único de Dispositivo (Unique Device Identifier)

##### 4.4 GARANTIA E ASSISTÊNCIA

A Spencer Italia S.r.l. garante que o produto está livre de defeitos de fabrico por um período de **um ano a partir da data de aquisição**.

Para informações relativas à correta interpretação das instruções de uso, à manutenção, instalação ou devolução, entrar em contacto com o Serviço de Assistência ao Cliente Spencer através dos seguintes canais: tel. +39 0521 541154, fax +39 0521 541222, e-mail [service@spencer.it](mailto:service@spencer.it).

Para facilitar as operações de assistência, indicar sempre o lote de fabrico (LOT) ou o número de série (SN) que consta na etiqueta aplicada na embalagem ou no corpo do dispositivo.

As condições de garantia e assistência estão disponíveis no sítio Web <http://support.spencer.it>.

Nota:

Anotar e conservar em conjunto com estas instruções: lote de fabrico (LOT) ou número de série (SN) se presente, lugar e data de aquisição, data das inspeções efetuadas, nome dos utilizadores e eventuais comentários.

## 5. ADVERTÊNCIAS/PERIGOS



As advertências, os perigos, as notas e outras informações de segurança importantes são apresentados nesta secção e claramente visíveis em todo o Manual.

Pelo menos a cada 6 meses é importante verificar a presença de instruções atualizadas e eventuais modificações que envolvam o produto adquirido. Estas informações podem ser livremente consultadas no sítio Web [www.spencer.it](http://www.spencer.it), na página dedicada ao produto.

### Funcionalidades do produto



**É estritamente proibido utilizar o produto para fins diferentes dos descritos no Manual de Uso.**

- Antes de qualquer utilização verificar sempre a integridade do produto, conforme especificado no Manual de uso; em caso de anomalia/danos que possam afetar a funcionalidade/segurança, retirar imediatamente o dispositivo de serviço e entrar em contacto com o Fabricante.
- Em caso de mau funcionamento do produto, utilizar um dispositivo semelhante para garantir a continuidade das operações em andamento. O dispositivo não conforme deve ser colocado fora de serviço.
- O produto não deve sofrer quaisquer adulterações e modificações sem a autorização do fabricante (modificação, retoque, adição, reparo), uma vez que as mesmas podem constituir perigos iminentes de lesões corporais e danos materiais. Em caso contrário, a Spencer declina qualquer responsabilidade por um funcionamento não correto e por eventuais danos provocados pelo próprio produto; adicionalmente, modificações não autorizadas resultam na anulação da marcação CE e da garantia do produto.
- Durante a utilização dos dispositivos, posicioná-los e regulá-los de forma a não criar obstáculos às operações dos socorristas e à utilização de eventuais equipamentos suplementares.
- Adotar todas as precauções para prevenir os riscos decorrentes do contacto com sangue e secreções corporais, se aplicável.
- Evitar o contacto com objetos cortantes ou abrasivos.
- Temperatura de utilização: de -5 °C a +50 °C



### Armazenagem

- O produto não deve ser exposto ou entrar em contacto com fontes térmicas de combustão e agentes inflamáveis; armazenar o produto em um lugar seco, fresco e ao abrigo da luz e do sol.
- Não armazenar o produto em baixo de outros materiais, mais ou menos pesados, que possam danificar a sua estrutura.
- Armazenar e transportar o produto na sua embalagem original; em caso contrário, a garantia será anulada.
- Temperatura de armazenagem: de -10 °C a +60 °C

### Requisitos regulamentares

**Na qualidade de Distribuidor ou Utilizador final dos produtos fabricados e/ou comercializados por Spencer Italia S.r.l., é rigorosamente exigido o conhecimento das disposições de lei em vigor no País de destino da mercadoria, aplicáveis aos dispositivos objeto do fornecimento (com inclusão das normas relativas a especificações técnicas e/ou requisitos de segurança) e, portanto, o cumprimento das obrigações necessárias para garantir a conformidade dos produtos com todas as prescrições legais locais.**

- Informar com tempestividade e detalhadamente a Spencer Italia S.r.l. (já em fase de solicitação de orçamento) sobre eventuais obrigações do fabricante necessárias para garantir a conformidade dos produtos com os requisitos legais específicos do território (incluindo aqueles decorrentes de regulamentos e/ou disposições regulamentares de outros natureza).
- Agir, com o devido cuidado e diligência, para ajudar a garantir o cumprimento dos requisitos gerais de segurança dos dispositivos colocados no mercado, fornecendo aos utilizadores finais todas as informações necessárias para a realização das atividades de revisão periódica, exatamente conforme indicado no Manual de Uso.
- **Participar das ações de controlo da segurança do produto** colocado no mercado, transmitindo todas as informações relativas aos riscos do produto ao Fabricante e às Autoridades competentes.
- Sem prejuízo do disposto acima, o Distribuidor ou o Utilizador final assume doravante todas as responsabilidades mais amplas associadas ao incumprimento das referidas obrigações, com a consequente obrigação de manter indemne e/ou desresponsabilizar a Spencer Italia S.r.l. de qualquer, possível, efeito prejudicial relacionado.
- Com referência ao Regulamento UE 2017/745 lembramos aqui que, na ocorrência de um acidente envolvendo um produto médico, os operadores públicos ou privados são obrigados a notificar o Ministério da Saúde, nos termos e modos estabelecidos com um ou mais decretos ministeriais, e o Fabricante. Os operadores sanitários públicos ou privados têm a obrigação de comunicar ao Fabricante qualquer outro inconveniente que possa permitir a adoção de medidas que garantam a proteção e a saúde dos pacientes e utilizadores.

### Advertências gerais para dispositivos médicos

**O utilizador deve ler atentamente, para além das advertências gerais, as prescrições elencadas a seguir.**

- A aplicação do dispositivo não deve durar mais do que o tempo necessário para as operações de primeiros socorros e as fases subsequentes de transporte até o ponto de resgate mais próximo.
- Durante a utilização do dispositivo deve ser garantida a assistência de pessoal qualificado e a presença de pelo menos dois operadores.



- Não utilizar o dispositivo na presença de partes ou peças furadas, rasgadas, danificadas ou excessivamente desgastadas.
- Seguir os procedimentos e os protocolos internos aprovados pela própria organização.
- ! Não alterar ou modificar arbitrariamente o dispositivo: qualquer modificação pode resultar em um funcionamento imprevisível e danos ao paciente ou socorristas e, em todo caso, na perda da garantia e exoneração do Fabricante de qualquer responsabilidade.
- Não utilizar secadores ou máquinas para enxugar o dispositivo.
- Em caso de pele exposta e/ou ferida, cobrir as superfícies em contacto com o paciente com um lençol hospitalar que respeite as normas de biocompatibilidade para preservar a saúde do paciente.

## 6. ADVERTÊNCIAS ESPECÍFICAS

Para utilizar os cintos de retenção é preciso ler, compreender e observar atentamente todas as indicações presentes no Manual de Uso.

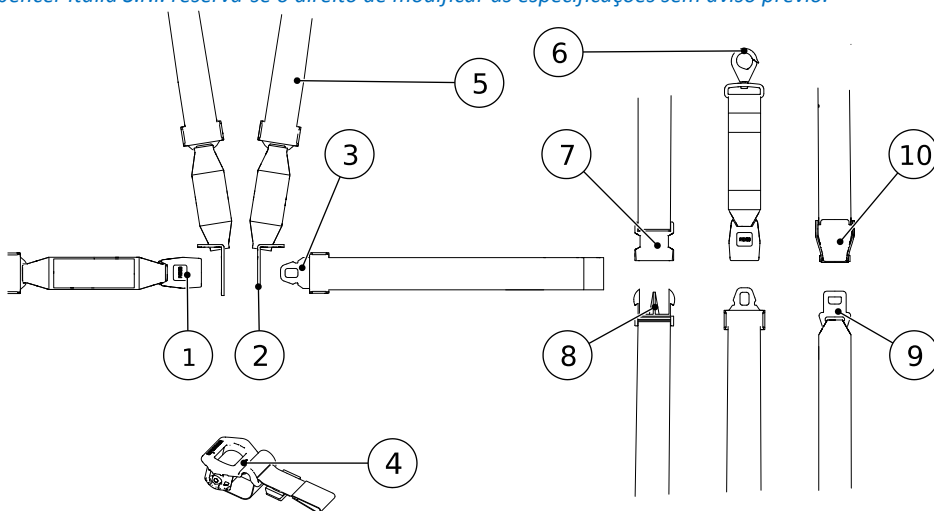
- ! Respeitar sempre as especificações de posicionamento previstas para o equipamento com o qual os cintos são utilizados. Ademais, o operador deve certificar-se de que as dimensões do paciente não afetam ou reduzem as funcionalidades do produto.
- Aplicar sempre o número de cintos exigido pelo equipamento de transporte em uso.
- ! **Realizar simulações de resgate com os cintos aplicados ao produto com o qual se pretende utilizá-los, e uma carga simulando paciente e acessórios antes da colocação em serviço.**
- Definir um programa de manutenção e inspeções periódicas, identificando um operador de referência. A pessoa à qual é confiada a manutenção ordinária do dispositivo deve cumprir os requisitos básicos previstos pelo fabricante nestas instruções de uso.
- Todas as atividades de manutenção devem ser registadas e documentadas por meio de específicos relatórios de intervenção técnica; a documentação deverá ser conservada por pelo menos 10 anos contados a partir do fim da vida útil do dispositivo e ser colocada à disposição das Autoridades competentes e/ou do Fabricante quando solicitada.
- Evitar o contacto com objetos cortantes.
- Seguir os procedimentos aprovados pelo Serviço Médico de Emergência para a imobilização e o transporte do paciente.
- ! Seguir os procedimentos aprovados pelo Serviço Médico de Emergência para o posicionamento e o transporte do paciente.
- ! Antes de qualquer utilização, verificar sempre a integridade do dispositivo e dos seus componentes, conforme especificado neste Manual de Uso. Na ocorrência de anomalias ou danos que possam afetar a funcionalidade e a segurança do dispositivo e consequentemente do paciente e do operador, é necessário colocar o dispositivo fora de serviço.
- ! Não alterar ou modificar arbitrariamente o dispositivo a fim de adaptá-lo a condições de utilização não previstas: qualquer modificação pode resultar em um funcionamento imprevisível e danos ao paciente ou socorristas e, em todo caso, na perda da garantia e exoneração do Fabricante de qualquer responsabilidade.
- Para preservar a sua vida útil, proteger o dispositivo o máximo possível contra os raios ultravioletas e condições meteorológicas adversas.
- ! Certificar-se de que as fivelas estão adequadamente conectadas ao cinto, íntegras e funcionam perfeitamente.

## 7. RISCO RESIDUAL

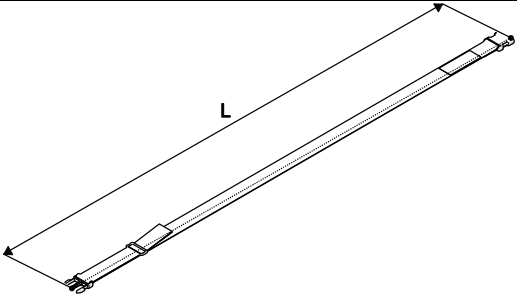
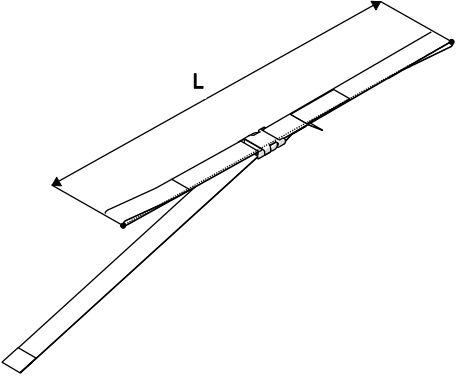
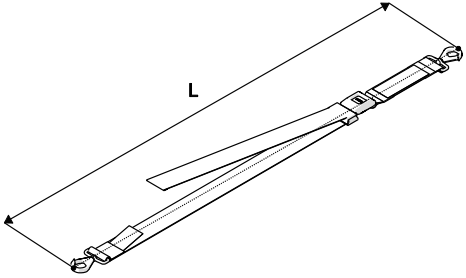
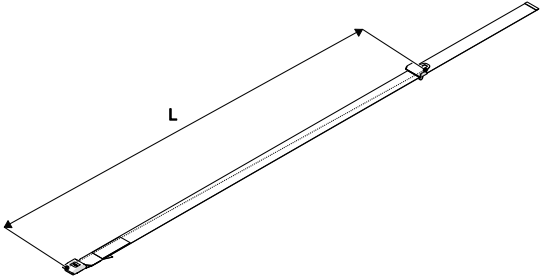
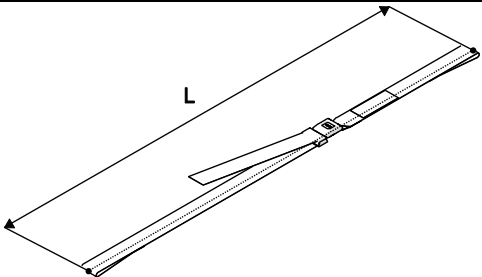
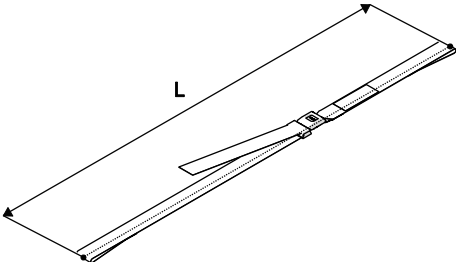
Não são identificados riscos residuais, ou seja riscos que podem surgir não obstante a plena observância de todas as advertências contidas neste Manual de Uso.

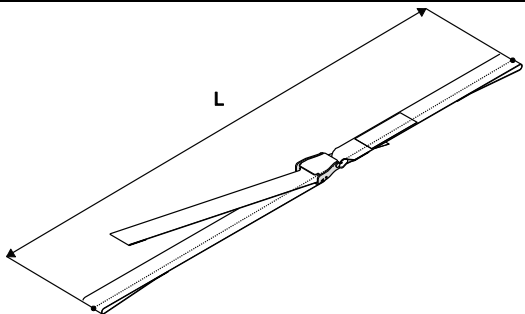
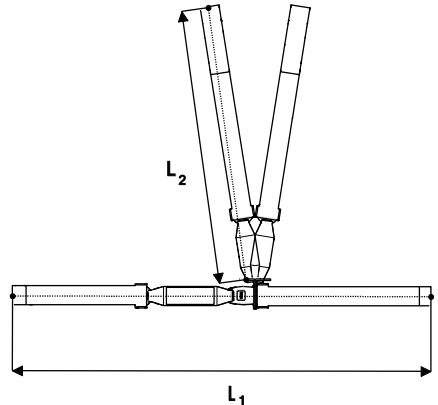
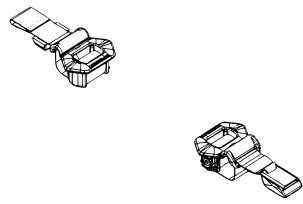
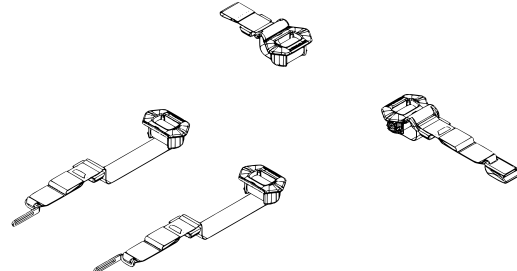
## 8. DADOS TÉCNICOS E COMPONENTES

*Nota: A Spencer Italia S.r.l. reserva-se o direito de modificar as especificações sem aviso prévio.*



Identificação	Descrição	Identificação	Descrição
1	Fivela fêmea em metal	6	Mosquetão
2	Gancho torácico	7	Gancho fêmea em material plástico
3	Gancho macho em metal	8	Gancho macho em material plástico
4	Enrolador	9	Gancho macho em alumínio
5	Cinto torácico	10	Gancho fêmea em alumínio

COMPONENTE DO CINTO		MATERIAL	
Fivela metálica		Aço cromado e plástico	
Fivela em material plástico		Nylon	
Fivela em alumínio		Alumínio	
Cinto		Nylon	
MODELO		Comprimento L máx. (mm)	Comprimento L mín. (mm)
STX 597		1900	400
STX 598		1500	700
STX 494		1600	450
STX 591 STX 701		1850	350
STX 592		1600	600
STX 702 STX 526		1600	600

STX 580		1600	700
STX 499		<b>Comprimento L<sub>1</sub> máx. (mm)</b>  1700	<b>Comprimento L<sub>1</sub> mín. (mm)</b>  600
DNA STRAP		<b>Comprimento L máx. cinto com engate macho</b>	<b>Comprimento L máx. cinto com engate fêmea</b>
DNA STRAP TORÁCICO		<b>Comprimento L máx. cinto com engate macho</b>	<b>Comprimento L máx. cinto com engate fêmea</b>
		800	500
		<b>Comprimento L máx. cintos de ombro</b>	
		1100	

## 9. COLOCAÇÃO EM FUNÇÃO

Antes da primeira utilização, estas são as atividades de inspeção a realizar:

- A embalagem é íntegra e protegeu adequadamente o dispositivo durante todo o transporte.
- Todos os componentes incluídos na lista de transporte estão presentes.
- Funcionalidade geral do dispositivo.
- Estado de limpeza do produto.
- Ausência de cortes, furos, lacerações, abrasões em toda a estrutura.
- Estado de desgaste do dispositivo.
- Verificar o correto funcionamento das fivelas.
- Verificar o correto funcionamento dos mosquetões se presentes no modelo.
- Verificar o correto funcionamento do enrolador se presente no modelo.

Consultar, no Parágrafo 11, os modos de execução das verificações supraindicadas.

Não alterar, em caso algum, o dispositivo ou os seus componentes, pois isto pode resultar em danos ao paciente e/ou aos socorristas.



**A não adoção das medidas indicadas acima afeta a segurança durante a utilização do dispositivo, com o conseqüente risco de danos ao paciente, aos operadores e ao próprio dispositivo.**

**Para as utilizações seguintes, efetuar as operações descritas no Parágrafo 12.**

Se as condições prescritas são respeitadas, o dispositivo pode ser considerado pronto para o uso; inversamente, é necessário colocar imediatamente o dispositivo fora de serviço e contactar o Fabricante.

Não alterar ou modificar arbitrariamente o dispositivo: qualquer modificação pode resultar em um funcionamento imprevisível e danos ao paciente ou socorristas e, ademais, na perda da garantia e exoneração do Fabricante de qualquer responsabilidade.

## 10. CARACTERÍSTICAS FUNCIONAIS

No que diz respeito às características de funcionamento, consultar o Parágrafo 11 – Modo de utilização.

## 11. MODO DE UTILIZAÇÃO

Antes de intervir no paciente, devem ser realizadas as avaliações médicas primárias.

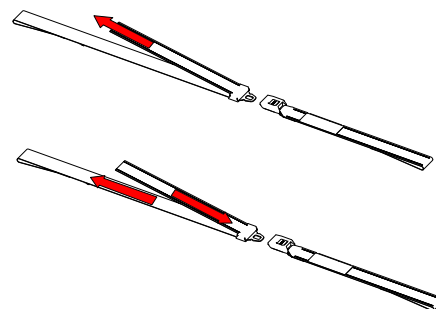
Antes de utilizar qualquer tipo de cinto descrito neste Manual, ler atentamente as instruções relativas ao equipamento em que está previsto o seu uso.

### 11.1 Regulação do comprimento

O comprimento dos cintos pode ser ajustado, para que os mesmos possam se adaptar eficazmente ao paciente em consideração do equipamento em uso.

A fim de apertar, puxar a extremidade livre do cinto na direção oposta à da fivela.

Para alongar, pressionar a extremidade livre do cinto em direção à parte interna da fivela e puxar o outro segmento que sai da fivela. Repetir a operação mais vezes até alcançar o comprimento desejado.



### 11.2 Engate e desengate do cinto

Tipo de gancho	Engate	Desengate
Metal		
Material plástico		
Alumínio		
Torácico		

### 11.3 Utilização dos cintos de 1 elemento

Os cintos de 1 elemento são indicados para uso em conjunto com:

- colchões infláveis
- macas tipo colher



Aplicação: estender os cintos de restrição no chão e posicionar o equipamento em uso acima dos mesmos; posicionar o paciente de acordo com as instruções do equipamento e, em seguida, proceder com as operações de ajuste e travamento dos cintos a fim de prender firmemente o paciente.

Certificar-se de que a operação foi realizada corretamente e que o paciente está adequadamente preso ao equipamento.

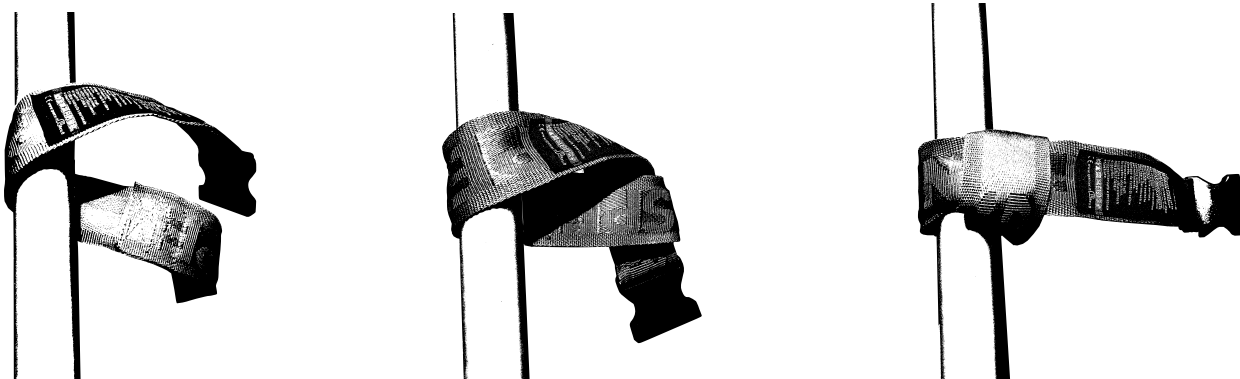
#### 11.4 Utilização dos cintos de 2 elementos

Os cintos de 2 elementos são indicados para uso em conjunto com:

- macas para ambulâncias
- macas de pequenas dimensões para emergências
- pranchas dorsais
- macas tipo colher
- colchões infláveis dotados de corda perimetral
- macas tipo cesto ("basket")
- cadeiras de transporte
- cadeiras de subir escadas

A escolha do tipo de fivela está associada às especificações de utilização do equipamento em uso.

Para instalar os cintos de dois elementos, identificar o ponto de aplicação dos mesmos no equipamento de acordo com as suas instruções de uso. Envolver a parte da estrutura envolvida e, em seguida, aplicar o cinto fazendo um laço com o mesmo. Regular o comprimento e apertar adequadamente de forma a prender o paciente ao equipamento.



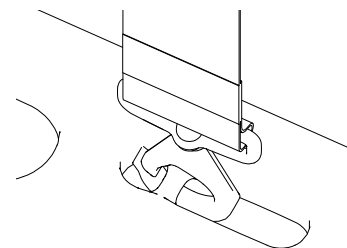
#### 11.5 Utilização dos cintos com mosquetão

Os cintos com mosquetão são indicados para uso em conjunto com:

- pranchas dorsais dotadas de pernos
- colchões infláveis dotados de ilhós para a sua aplicação

Aplicação: identificar o perno ou o ilhó ao qual conectar o mosquetão; em seguida, pressionar a parte móvel do mosquetão em direção ao perno ou ilhó e assegurar um engate adequado.

Após verificar a correta aplicação do cinto, ajustar o seu comprimento e apertar até prender firmemente o paciente ao equipamento.

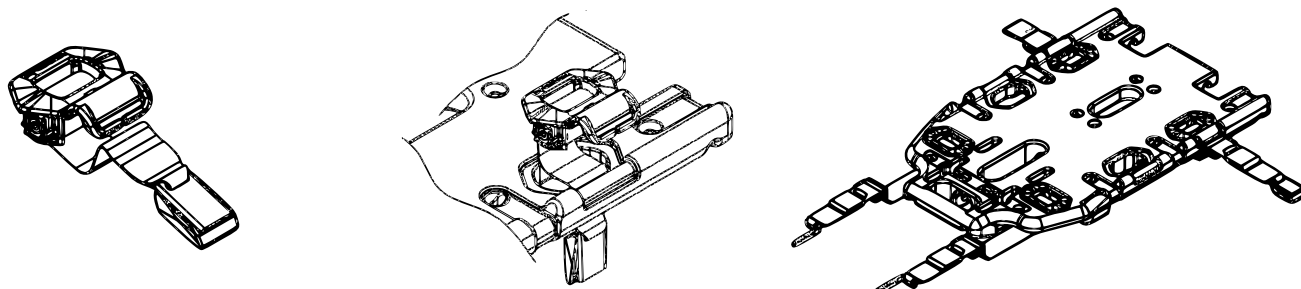
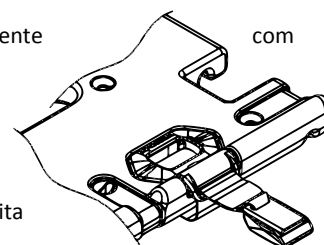


#### 11.6 Instalação dos cintos tipo DNA STRAP


Os cintos DNA STRAP são indicados para uso em conjunto com macas equipadas com uma base para o paciente sedes dedicadas.

Para a sua aplicação, proceder da seguinte forma:

- 1 – Soltar o cinto de sua sede no enrolador.
- 2 – Inserir o sistema DNA, mantendo o cinto tensionado, na cavidade dedicada presente no corpo da base. O cinto com engate macho e o cinto com engate fêmea deverão estar, respetivamente, à esquerda e à direita da base.
- 3 – Reinsere os cintos na fissura do enrolador do sistema DNA para concluir a instalação.
- 4 – Proceder em modo análogo para os sistemas torácicos.



Depois de ter posicionado o paciente, apertar o cinto e verificar novamente a sua correta aplicação.

 Os cintos DNA STRAP não são dotados de um pré-tensor. É, portanto, necessário efetuar a sua regulação manual depois da sua aplicação, tensionando adequadamente os cintos (acionando o enrolador até o seu fim de curso).  
Uma regulação não correta torna o dispositivo não seguro e ineficaz.

## 12. LIMPEZA E MANUTENÇÃO

**A Spencer Italia S.r.l. declina qualquer responsabilidade por eventuais danos, diretos ou indiretos, decorrentes do uso impróprio do produto e de peças sobressalentes e/ou em qualquer caso de intervenção de reparo não realizada pelo Fabricante, que emprega técnicos internos e externos especializados e autorizados; nestes casos, a garantia será anulada.**

- Durante todas as operações de controlo, manutenção e higienização o operador deve utilizar os equipamentos de proteção individual previstos, tais como luvas, óculos, etc..
- Definir um programa de manutenção, controlos periódicos e extensão do tempo de vida médio, se previsto pelo Fabricante no Manual de Uso, identificando um operador de referência em posse dos requisitos básicos aqui definidos.
- **A frequência de execução das inspeções é determinada por fatores tais como as disposições de lei, o tipo e a frequência de utilização, as condições ambientais durante o uso e a armazenagem.**
- As intervenções de reparo dos produtos realizados por Spencer Italia S.r.l. devem ser necessariamente realizadas pelo Fabricante, que recorre a técnicos internos e externos especializados, os quais, utilizando peças sobressalentes originais, fornecem um serviço fiável e de qualidade, em estrita observância das especificações técnicas do próprio Fabricante. A Spencer Italia S.r.l. declina qualquer responsabilidade por eventuais danos, diretos ou indiretos, decorrentes de um uso indevido das peças sobressalentes e/ou em qualquer caso de reparo executado por pessoas não autorizadas.
- O recondicionamento, processo realizado no dispositivo para permitir a restauração da segurança técnica e funcional do mesmo, por exemplo um novo registo, deve ser efetuado exclusivamente pelo Fabricante.
- Todas as atividades de manutenção e revisão devem ser registadas e documentadas por meio de específicos relatórios de intervenção técnica; a documentação deverá ser conservada por pelo menos 10 anos contados a partir do fim da vida útil do produto e ser colocada à disposição das Autoridades competentes e/ou do Fabricante quando solicitada.
- A limpeza, prevista para os produtos reutilizáveis, deve ser efetuada em pleno respeito das indicações fornecidas pelo Fabricante no Manual de Uso, a fim de prevenir o risco de infeções cruzadas devido à presença de secreções e/ou resíduos.

### 12.1 LIMPEZA

A não execução das operações de limpeza pode acarretar o risco de infeções cruzadas devido à presença de secreções e/ou resíduos.

Durante todas as operações de controlo e higienização o operador deve utilizar os equipamentos de proteção individual previstos, tais como luvas, óculos, etc..

As eventuais partes metálicas expostas aos agentes externos são tratadas superficialmente e/ou pintadas para obter uma maior resistência. Lavar as partes expostas com água morna e sabão neutro; **não utilizar solventes ou removedores de manchas.**

Enxaguar cuidadosamente com água morna eliminando todos os resíduos de sabão, que podem provocar o desgaste ou afetar a integridade e o tempo de vida útil do dispositivo. **Não utilizar água pressurizada**, uma vez que a mesma penetra nas juntas criando o risco de corrosão dos componentes. Deixar secar perfeitamente antes de armazenar. O processo de secagem após uma lavagem ou utilização em ambientes húmidos deve ser natural e não forçado; não utilizar chamas ou outras fontes de calor direto.

Em caso de uma eventual **desinfecção** utilizar produtos que, para além de estarem classificados como dispositivos médico-cirúrgicos, não tenham ação solvente ou corrosiva sobre os materiais que compõem a maca. Tomar todas as precauções cabíveis para garantir a eliminação dos riscos de infeção cruzada ou contaminação de pacientes e operadores.

Em caso de produtos descartáveis não é prevista a limpeza, sempre que os mesmos estiverem corretamente armazenados e embalados de acordo com as especificações do Fabricante.

### 12.2 MANUTENÇÃO ORDINÁRIA

É necessário definir um programa de inspeções periódicas, identificando um operador de referência. A pessoa à qual é confiada a manutenção do dispositivo deve cumprir os requisitos básicos previstos neste Manual de Uso.

Todas as atividades de manutenção devem ser registadas e documentadas em específicos relatórios de intervenção técnica. Esta documentação deve ser mantida por pelo menos 10 anos a partir do final da vida útil do dispositivo e deve ser colocada à disposição das Autoridades competentes e/ou do Fabricante quando solicitada.

Durante todas as operações de controlo, manutenção e higienização o operador deve utilizar os equipamentos de proteção individual previstos, tais como luvas, óculos, etc..

O dispositivo normalmente não exige um programa de manutenção ordinária, mas é preciso realizar determinadas atividades de inspeção antes e depois de cada utilização a fim de verificar:

- Funcionalidade geral do dispositivo.
- Estado de limpeza do dispositivo (lembramos aqui que a não execução das operações de limpeza pode acarretar o risco de infeções cruzadas).
- Cumprimento dos requisitos previstos pelo Manual de Uso na Secção 5 Advertências e 6 Advertências específicas.
- Cumprimento dos requisitos previstos pelo Manual de Uso na Secção 11 Modo de utilização.

Utilizar somente componentes/peças sobressalentes e/ou acessórios originais ou aprovados por Spencer Italia S.r.l. para realizar as operações sem causar alterações ou modificações no dispositivo; caso contrário, a Spencer Italia S.r.l. declina qualquer responsabilidade por um funcionamento incorreto ou por eventuais danos provocados pelo próprio dispositivo ao paciente ou ao operador, resultando também na anulação da garantia e da conformidade com o Regulamento UE 2017/745.

### 12.3 REVISÃO PERIÓDICA

Não está prevista uma revisão periódica para o dispositivo.

### 12.4 MANUTENÇÃO EXTRAORDINÁRIA

Não estão previstas atividades de manutenção extraordinária para estes dispositivos.

### 12.5 VIDA ÚTIL

**O dispositivo, se utilizado conforme indicado nestas instruções, possui uma vida útil de 2 anos contados a partir da data de compra.**

A Spencer Italia S.r.l. declina qualquer responsabilidade por um funcionamento incorreto ou por eventuais danos provocados pelo uso de dispositivos que tenham ultrapassado o tempo de vida máximo admitido.

## 13. TABELA PARA A RESOLUÇÃO DE PROBLEMAS

PROBLEMA	CAUSA	SOLUÇÃO	
Não é possível engatar a fivela em material plástico	A fivela não foi inserida corretamente	Inserir a fivela certificando-se de que as partes macho e fêmea estejam corretamente alinhadas e não estejam invertidas	
Não é possível engatar a fivela em metal			
<b>Não é possível desengatar a fivela em metal</b>	<b>Componentes danificados</b>	<b>internos</b>	Colocar imediatamente o dispositivo fora de serviço e substituí-lo por um produto similar
O enrolador do sistema DNA não funciona	Rutura ou deformação da mola interna		Colocar imediatamente o dispositivo fora de serviço e substituí-lo por um produto similar

Na ocorrência de problemas ou detecção de avarias diferentes dos aqui ilustrados, entrar em contacto com o Serviço de Assistência da Spencer Italia S.r.l..

## 14. ACESSÓRIOS

Não estão presentes acessórios para estes dispositivos

## 15. PEÇAS SOBRESSALENTES

Não estão presentes peças sobressalentes para estes dispositivos

## 16. ELIMINAÇÃO

Os dispositivos e os seus acessórios que se tornaram inutilizáveis, e não foram contaminados por agentes particulares, podem ser descartados como resíduos sólidos urbanos; caso contrário, observar as normas vigentes em matéria de eliminação de resíduos especiais.

# OBSAH

---

<b>1. MODELÝ</b>	<b>69</b>
<b>2. URČENÝ ÚČEL</b>	<b>69</b>
2.1 URČENÝ ÚČEL A KLINICKÝ PŘÍNOS	69
2.2 CÍLOVÉ SKUPINY PACIENTŮ	69
2.3 KRITÉRIA VÝBĚRU PACIENTŮ	69
2.4 KONTRAINDIKACE A NEŽÁDOUCÍ VEDLEJŠÍ ÚČINKY	69
2.5 UŽIVATELÉ A OSOBY ODPOVĚDNÉ ZA INSTALACI	69
2.5.1 ODBORNÁ PŘÍPRAVA UŽIVATELŮ	69
2.5.2 ODBORNÁ PŘÍPRAVA OSOBY ODPOVĚDNÉ ZA INSTALACI	69
<b>3. POUŽITÉ NORMY</b>	<b>69</b>
<b>4. ÚVOD</b>	<b>70</b>
4.1 POUŽITÍ NÁVODU	70
4.2 Označování a kontrola výsledovatelnosti prostředku	70
4.3 SYMBOLY	70
4.4 Záruka a servis	70
<b>5. VAROVÁNÍ/NEBEZPEČÍ</b>	<b>71</b>
<b>6. SPECIFICKÁ VAROVÁNÍ</b>	<b>72</b>
<b>7. ZBYTKOVÉ RIZIKO</b>	<b>72</b>
<b>8. TECHNICKÉ ÚDAJE A SOUČÁSTI</b>	<b>72</b>
<b>9. PRVNÍ POUŽITÍ</b>	<b>74</b>
<b>10. FUNKČNÍ CHARAKTERISTIKY</b>	<b>75</b>
<b>11. ZPŮSOB POUŽITÍ</b>	<b>75</b>
11.1 SEŘÍZENÍ DÉLKY	75
11.2 ZAPÍNÁNÍ A ROZEPÍNÁNÍ POPRUHU	75
11.3 POUŽITÍ POPRUHŮ S 1 DÍLEM	75
11.4 POUŽITÍ POPRUHŮ SE 2 DÍLY	76
11.5 POUŽITÍ POPRUHŮ S KARABINOU	76
11.6 INSTALACE DNA STRAP	76
<b>12. ČIŠTĚNÍ A ÚDRŽBA</b>	<b>77</b>
12.1 Čištění	77
12.2 ŘÁDNÁ ÚDRŽBA	77
12.3 Pravidelná prověrka	77
12.4 MIMORÁDNÁ ÚDRŽBA	78
12.5 Životnost	78
<b>13. TABULKA PORUCH</b>	<b>78</b>
<b>14. PŘÍSLUŠENSTVÍ</b>	<b>78</b>
<b>15. NÁHRADNÍ DÍLY</b>	<b>78</b>
<b>16. LIKVIDACE</b>	<b>78</b>

#### varování

Informace uvedené v tomto dokumentu mohou být měněny bez předchozího upozornění a jsou považovány za závazek společnosti Spencer Italia S.r.l. s výhradou případných změn. Výrobky značky Spencer jsou vyváženy do mnohých zemí, v nichž neplatí vždy stejné předpisy. Proto se uvedené popisy mohou v některých případech lišit od dodaných výrobků. Společnost Spencer neustále usiluje o zdokonalování všech typů a modelů prodávaných výrobků. Proto spoléháme na vaše porozumění, pokud si vyhrajujeme právo kdykoli měnit naše výrobky co se týče tvaru, vybavení a použité technologie.

© copyright Spencer Italia s.r.l.

Všechna práva vyhrazena. Je zakázáno celkové či částečné kopírování a šíření tohoto dokumentu či jeho překládání do jiných jazyků bez předchozího písemného souhlasu společnosti Spencer Italia S.r.l.

## 1. MODELY

Dále uvedené základní modely mohou být doplňovány či měněny bez předchozího upozornění.

MODEL	TYP POPRUHU	ÚCHYT
STX 597	1 KUS	PLAST
STX 598	2 KUSY	PLAST
STX 591	1 KUS	KOV
STX 494	2 KUSY	KARABINA
STX 592	2 KUSY	KOV
STX 526	2 KUSY	KOV
STX 701	1 KUS	KOV
STX 702	2 KUSY	KOV
STX 580	2 KUSY	HLINÍK
STX 499	4 KUSY HRUDNÍ	KOV
DNA STRAP	2 KUSY S NAVIJÁKEM	KOV
DNA STRAP HRUDNÍ	4 KUSY S NAVIJÁKEM	KOV

## 2. URČENÝ ÚČEL

### 2.1 URČENÝ ÚČEL A KLINICKÝ PŘÍNOS

Fixační popruhy jsou prostředky určené pro umožnění bezpečného transportu pacienta za předpokladu, že jsou používány v souladu s návodem k použití.

### 2.2 CÍLOVÉ SKUPINY PACIENTŮ

Neexistují žádné specifické pokyny týkající se skupin pacientů.

Další omezení týkající se použití mohou souviset s prostředkem, se kterým jsou popruhy používány. Proto si pozorně přečtěte návod k použití použitého transportního prostředku.

### 2.3 KRITÉRIA VÝBĚRU PACIENTŮ

Kritéria výběru pacientů jsou stejná jako kritéria použitá pro transportní prostředek, se kterým jsou popruhy používány.

### 2.4 KONTRAINDIKACE A NEŽÁDOUCÍ VEDELEJŠÍ ÚČINKY

Pokud je prostředek používán v souladu s návodem k použití, nejsou známy žádné zvláštní kontraindikace či nežádoucí vedlejší účinky.

### 2.5 UŽIVATELÉ A OSOBY ODPOVĚDNÉ ZA INSTALACI

Předpokládanými uživateli tohoto prostředku jsou záchranáři, kteří mají zkušenosti s polohováním, imobilizací a transportem pacientů. Tento prostředek není určen pro laické uživatele

Fixační popruhy jsou určeny výhradně pro profesionální použití. Při použití výrobku nesmí napomáhat nevyškolené osoby, které by mohly způsobit ohrožení své vlastní bezpečnosti či bezpečnosti jiných osob.

Navzdory veškerému úsilí, laboratorním zkouškám, funkčním prověrkám a návodu k použití, nelze všechna pravidla vždy přenést do praxe, proto se očekávané výsledky mohou lišit od výsledků dosažených v podmínkách skutečného použití výrobku, přičemž tyto rozdíly mohou být i značné

Nejlepším pravidlem je opakované použití výrobku pod dozorem odborného a zkušeného personálu

Personál používající tento prostředek musí mít odpovídající tělesnou zdatnost a svalovou koordinaci. Schopnost personálu musí být posouzena před stanovením rolí v rámci použití prostředku.

**Personál musí být schopný poskytnout pacientovi nezbytnou péči.**

### 2.5.1 ODBORNÁ PŘÍPRAVA UŽIVATELŮ

- Nezávisle na úrovni zkušeností s použitím podobných prostředků je nutné, aby si uživatel před instalací, použitím a jakoukoliv údržbou tohoto prostředku pečlivě přečetl tento návod a aby jeho obsahu dokonale porozuměl. V případě pochyb se obraťte na společnost Spencer Italia S.r.l., která vám poskytne jakékoliv informace.
- Výrobek musí být používán výhradně personálem vyškoleným pro použití tohoto výrobku, nikoliv pro použití jiných, podobných výrobků.
- Odborná příprava uživatelů výrobku musí být prokázána osvědčením o odborné přípravě, ve kterém musí být uvedena jména vyškolených osob, školitelů, datum a místo školení. **Tento dokument musí být uchovávan nejméně po dobu 10 let od ukončení životního cyklu výrobku a na žádost musí být předložen příslušným orgánům a/nebo výrobcí. V opačném případě mohou být příslušnými orgány uděleny odpovídající sankce.**
- Při použití výrobku nesmí napomáhat nevyškolené osoby, které by mohly způsobit ohrožení své vlastní bezpečnosti či bezpečnosti jiných osob.

*Poznámka: Společnost Spencer Italia S.r.l. je kdykoli k dispozici pro pořádání kurzů pro školení personálu.*

### 2.5.2 ODBORNÁ PŘÍPRAVA OSOBY ODPOVĚDNÉ ZA INSTALACI

Osoba odpovědná za instalaci popruhů DNA musí porozumět obsahu tohoto návodu a musí zajistit, aby byla instalace tohoto prostředku provedena řádným způsobem, za dodržení pokynů uvedených v odst. 11.6.

Pro ostatní prostředky popsané v tomto návodu není předpokládána instalace

## 3. POUŽITÉ NORMY

**Distributor nebo konečný uživatel výrobků vyráběných a/nebo uváděných na trh společností Spencer Italia S.r.l. musí znát zákonná ustanovení platná ve státě, do kterého je zboží dováženo, týkající se prostředku, který je předmětem dodávky (včetně právních**

předpisů týkajících se technických charakteristik a/nebo bezpečnostních požadavků). To znamená, že musí znát i nezbytná opatření, která je nutné uplatnit pro zaručení shody těchto výrobků s místními právními předpisy.

NORMA	NÁZEV DOKUMENTU
Nařízení EU 2017/745	Nařízení EU o zdravotnických prostředcích

## 4. ÚVOD

### 4.1 POUŽITÍ NÁVODU

Účelem tohoto návodu je poskytnout zdravotnickému personálu veškeré informace nezbytné pro bezpečné a vhodné použití prostředku a pro jeho správnou údržbu.

*Poznámka: návod tvoří nedílnou součást prostředku, proto musí být uchováván po jeho celý životní cyklus a musí jej doprovázet při případné změně místa určení či majitele. Pokud se přiložený návod k použití vztahuje na jiný, než dodaný výrobek, výrobek nesmí být používán a musí být okamžitě informován výrobce.*

Návody výrobků Spencer si můžete stáhnout na webových stránkách <http://support.spencer.it> nebo se obraťte na výrobce. Výjimku tvoří výrobky, jejichž charakteristiky a rozumné a předvídatelné použití jsou takové, že není nutné vypracovat návod k použití, kromě následujících varování a údajů uvedených na štítku.

Nezávisle na úrovni zkušeností s použitím podobných prostředků je nutné, aby si uživatel před instalací, použitím a jakoukoliv údržbou tohoto prostředku pečlivě přečetl tento návod.

### 4.2 OZNAČOVÁNÍ A KONTROLA VYSLEDOVATELNOSTI PROSTŘEDKU










Každý prostředek je vybaven štítkem, umístěným přímo na prostředku a/nebo na obalu, na kterém jsou uvedeny identifikační údaje výrobce, výrobku, označení CE, výrobní číslo (SN) nebo číslo šarže (LOT). Tento štítek nesmí být v žádném případě odstraňován či zakrýván.

V případě poškození nebo odstranění požádejte výrobce o duplikát. V opačném případě nebude uznána záruka, jelikož prostředek nebude možné vysledovat.

**V případě, kdy není možné zjistit číslo šarže/výrobní číslo, je nutné provést obnovu prostředku, která musí být provedena výrobcem.**

V souladu s Nařízením EU 2017/754 je nutné, aby výrobci a distributoři zdravotnických zařízení měli k dispozici údaje o umístění jednotlivých prostředků. Pokud se prostředek nachází na jiné adrese, než na kterou byl doručen nebo pokud byl prostředek prodán, darován, ztracen, odcizen, exportován, zničen, vyřazen definitivně z provozu nebo nebyl dodán přímo společností Spencer Italia S.r.l., je nutné zaregistrovat prostředek na adrese <http://service.spencer.it> nebo informovat zákaznické oddělení (viz odst. 4.4).

### 4.3 SYMBOLY

Symbol	Význam
	Prostředek splňující požadavky Nařízení EU 2017/745
	Zdravotnický prostředek
	Výrobce
	Datum výroby
	Nebezpečí – Označuje nebezpečnou situaci, která může mít za následek vážné či smrtelné zranění
	Přečtěte si návod k použití
	Číslo šarže
	Kód výrobku
	Unique Device Identifier

### 4.4 ZÁRUKA A SERVIS

Společnost Spencer Italia S.r.l. poskytuje záruku na vady svých výrobků v trvání **jednoho roku od data zakoupení výrobku**.

Pro informace týkající se správné interpretace pokynů, použití, údržby, instalace či vrácení výrobku se obraťte na zákaznické oddělení společnosti Spencer - tel. +39 0521 541154, fax +39 0521 541222, e-mail [service@spencer.it](mailto:service@spencer.it).


Pro usnadnění poskytovaného servisu vždy uvádějte číslo šarže (LOT) nebo výrobní číslo (SN) uvedené na štítku umístěném na obalu nebo přímo na výrobku.

Záruční a servisní podmínky jsou dostupné na webových stránkách <http://support.spencer.it>.

*Poznámka:*


*Pro registraci použijte následující údaje: číslo šarže (LOT) nebo výrobní číslo (SN), místo a datum zakoupení, datum prvního použití, datum prověrek, jméno uživatele a komentáře.*

## 5. VAROVÁNÍ/NEBEZPEČÍ

 V této části jsou uvedena varování, nebezpečí, poznámky a další důležité informace týkající se bezpečnosti, které jsou zvýrazněny v celém návodu.

Minimálně každých 6 měsíců je nutné prověřit dostupnost aktualizovaných návodů k použití a informací o případných změnách, týkajících se vašeho výrobku. Tyto informace jsou vždy dostupné na webových stránkách [www.spencer.it](http://www.spencer.it), na stránce konkrétního výrobku.

### Funkčnost výrobku

 Je zakázáno používat výrobek pro jiné účely, než které jsou popsány v návodu k použití.

- Před každým použitím zkontrolujte neporušenost výrobku v souladu s návodem k použití. V případě zjištění vad/poškození, které by mohly ohrozit funkčnost/bezpečnost výrobku, nikdy nepoužívejte výrobek a okamžitě informujte výrobce.
- V případě funkční poruchy výrobku okamžitě použijte podobný prostředek, pro zaručení kontinuity probíhajících operací. Vadné prostředky musí být okamžitě vyřazeny.
- Je zakázáno provádět nepovolené zákroky či úpravy výrobku bez souhlasu výrobce (úpravy, změny, doplňování, opravy), jelikož by mohlo dojít k vážnému ohrožení zdraví osob a k hmotným škodám. V opačném případě bude výrobce zbaven odpovědnosti za funkční poruchy a případné škody způsobené výrobkem; kromě toho dojde k zániku platnosti označení CE a záruky poskytované na výrobek.
- Během použití musí být prostředky umístěny a seřizeny tak, aby nepřekážely personálu při jejich činnosti či použití případných jiných prostředků.
- Ujistěte se, že byla učiněna veškerá opatření pro zabránění rizikům spojeným se stykem s krví či jinými tělními tekutinami.
- Zabraňte styku výrobku s ostrými či abrazivními předměty.
- Teplota použití: od -5°C do +50°C

### Skladování

- Výrobek nesmí být vystavován či přijít do styku s tepelnými zdroji a hořlavými látkami a musí být skladován v suchém a chladném prostředí, kde není vystaven světlu a slunečnímu záření.
- Výrobek nesmí být skladován pod jinými materiály, které by mohly způsobit jeho poškození.
- Výrobek musí být uskladněn a přepravován v původním obalu. V opačném případě nebude uznána záruka.
- Teplota skladování: od -10°C do +60°C

### Požadavky právních předpisů

**Distributor nebo konečný uživatel výrobků vyráběných a/nebo uváděných na trh společností Spencer Italia S.r.l. musí znát zákonná ustanovení platná ve státě, do kterého je zboží dováženo, týkající se prostředku, který je předmětem dodávky (včetně právních předpisů týkajících se technických charakteristik a/nebo bezpečnostních požadavků). To znamená, že musí znát i nezbytná opatření, která je nutné uplatnit pro zaručení shody těchto výrobků s místními právními předpisy.**

- Společnost Spencer Italia S.r.l. musí být bezodkladně a podrobně informována (již při žádosti o cenovou nabídku) o případných povinnostech výrobce, nezbytných pro zaručení shody výrobků se specifickými místními právními předpisy (včetně povinností vyplývajících z různých nařízení a/nebo jiných norem).
- Vynaložte veškeré úsilí pro zaručení shody výrobků dodávaných na trh se základními požadavky na bezpečnost. Konečný uživatel musí obdržet veškeré informace nezbytné pro pravidelné provádění prověrek dodaných prostředků, v souladu s informacemi uvedenými v návodu k použití.
- **Účastněte se kontroly bezpečnosti výrobků** dodávaných na trh, informujte výrobce a příslušné orgány o rizicích spojených s výrobkem, aby mohla být učiněna nezbytná nápravná opatření.
- Bez dotčení výše uvedených ustanovení nese distributor a konečný uživatel veškerou odpovědnost za dodržení výše uvedených pokynů a zbavuje společnost Spencer Italia S.r.l. veškeré odpovědnosti za případné následky spojené s nedodržením výše uvedených povinností.
- S odkazem na Nařízení EU 2017/745 připomínáme, že v případě nehody týkající se zdravotnického prostředku mají veřejné či soukromé subjekty povinnost informovat Ministerstvo zdravotnictví a výrobce, a to ve lhůtách a způsoby uvedenými v odpovídajících ministerských vyhláškách. Veřejné nebo soukromé subjekty mají povinnost informovat výrobce o veškerých problémech, které musí být odstraněny učiněním vhodných opatření, nezbytných pro ochranu zdraví a bezpečnosti pacientů a uživatelů.

### Obecná varování týkající se zdravotnických prostředků

**Kromě obecných varování si uživatel musí přečíst i dále uvedená varování.**

- Zdravotnický prostředek je určen pro použití pouze po dobu nezbytnou pro poskytnutí první pomoci a následný transport pacienta na nejbližší pohotovost.
- Při použití výrobku musí být zaručen dozor kvalifikovaného personálu a musí být přítomni nejméně dva pracovníci.
- Nepoužívejte prostředek, pokud je děravý, potrháný, rozpletený či nadměrně opotřeбенý.

- Dodržujte vnitřní postupy a protokoly, stanovené vaší organizační složkou.

- ! Neprovádějte žádné úpravy prostředku, jelikož by mohlo dojít k nepředpokládané změně funkčnosti a následným škodám na zdraví pacienta či záchranářů. V opačném případě nebude uznána záruka a výrobce bude zbaven veškeré odpovědnosti.
- Pro sušení prostředku nepoužívejte sušičky.
- V případě odhalení a/nebo zranění pokožky přikryjte plochu přicházející do styku s pacientem sterilním prostředkem, které splňuje požadavky na biologickou kompatibilitu a zaručuje ochranu zdraví pacienta.

## 6. SPECIFICKÁ VAROVÁNÍ

Před použitím fixačních popruhů si uživatel musí přečíst a porozumět obsahu tohoto návodu k použití a postupovat podle pokynů, které jsou v něm uvedeny

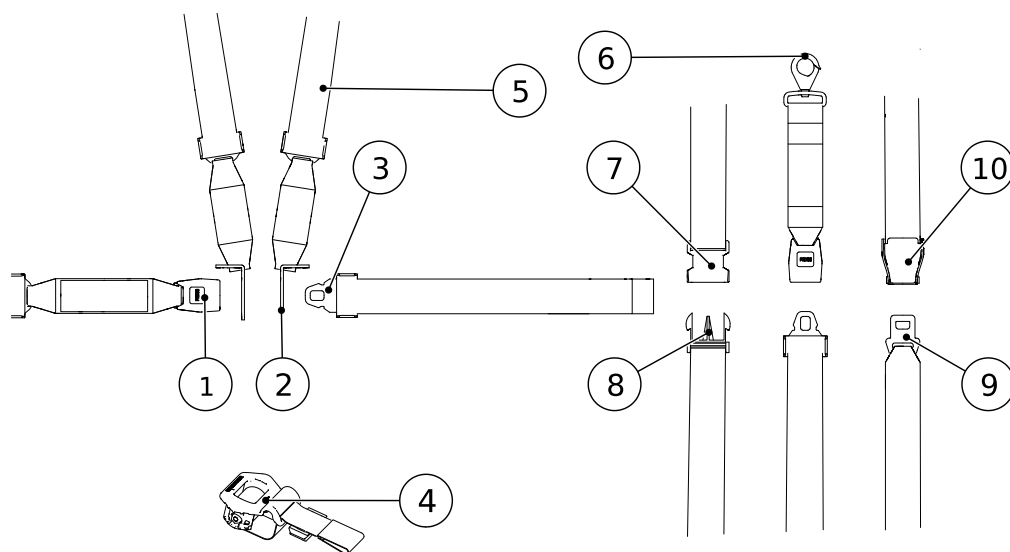
- ! Vždy dodržujte pokyny pro polohování týkající se prostředku, se kterým jsou popruhy používány. Personál používající prostředek musí vždy posoudit, zda rozměry pacienta nemají negativní vliv na funkčnost výrobku.
- Používejte vždy počet popruhů předpokládaný pro použitý transportní prostředek.
- ! **Před prvním použitím prostředku proveďte simulaci první pomoci s popruhy nasazenými na prostředek, na který je uloženo břemeno simulující přítomnost pacienta.**
- Zpracujte vhodný plán údržby a pravidelných prověrek, včetně uvedení osoby odpovědné za tyto úkony. Subjekt pověřený řádnou údržbou prostředku musí splňovat základní požadavky stanovené výrobcem a uvedené v tomto návodu k použití.
- Veškeré úkony spojené s údržbou musí být zapisovány a dokumentovány prostřednictvím zpráv o technickém zákroku. Tyto dokumenty musí být uchovávány nejméně po dobu 10 let od ukončení životního cyklu prostředku a na žádost musí být předloženy příslušným orgánům /nebo výrobcí.
- Zabraňte styku výrobku s ostrými předměty.
- Dodržujte postupy schválené lékařskou pohotovostní službou, co se týče imobilizace a transportu pacienta.
- ! Dodržujte postupy schválené lékařskou pohotovostní službou, co se týče polohování a transportu pacienta.
- ! Před každým použitím vždy zkontrolujte neporušenost prostředku a jeho součástí, v souladu s pokyny uvedenými v tomto návodu k použití. V případě zjištění vad či poškození, které by mohly ohrozit funkčnost či bezpečnost prostředku, pacienta a personálu, nikdy nepoužívejte výrobek.
- ! Neprovádějte žádné úpravy prostředku pro jeho použití pro jiné, než předpokládané účely, jelikož by mohlo dojít k nepředpokládané změně funkčnosti a následným škodám na zdraví pacienta či záchranářů. V opačném případě nebude uznána záruka a výrobce bude zbaven veškeré odpovědnosti.
- ! Pro zaručení dlouhodobé životnosti zbytečně nevystavujte prostředek UV záření a nepříznivým klimatickým podmínkám.
- ! Ujistěte se, že jsou spony správně uchycené k popruhu a zda jsou neporušené a funkční.

## 7. ZBYTKOVÉ RIZIKO

Nejsou známá žádná zbytková rizika, to znamená rizika, která by mohla vzniknout navzdory dodržení všech pokynů uvedených v tomto návodu k použití.

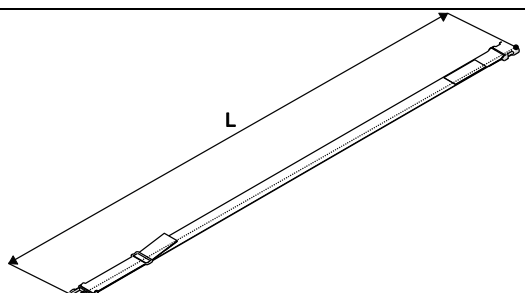
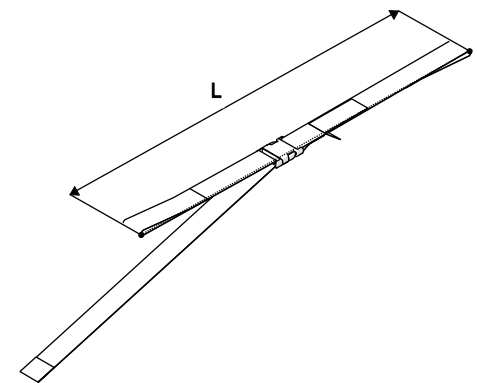
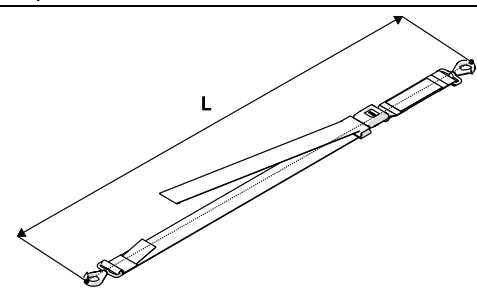
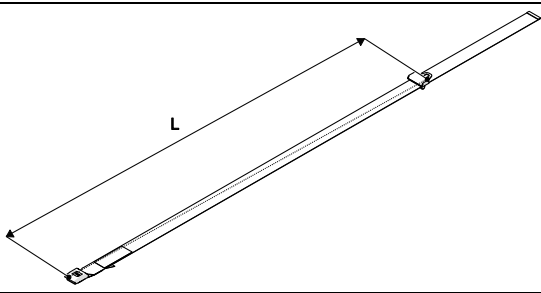
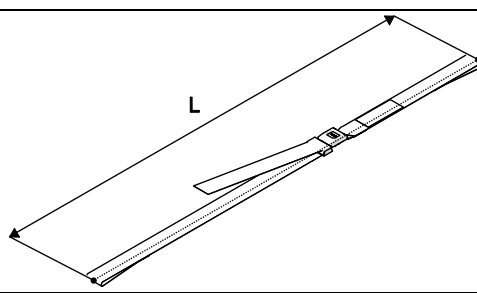
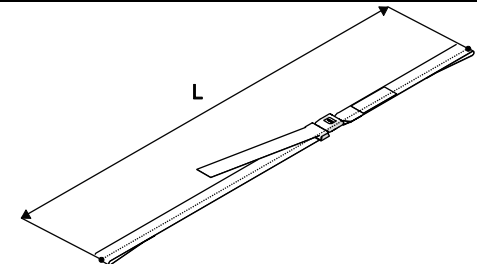
## 8. TECHNICKÉ ÚDAJE A SOUČÁSTI

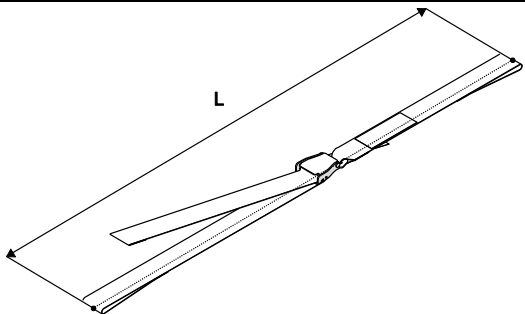
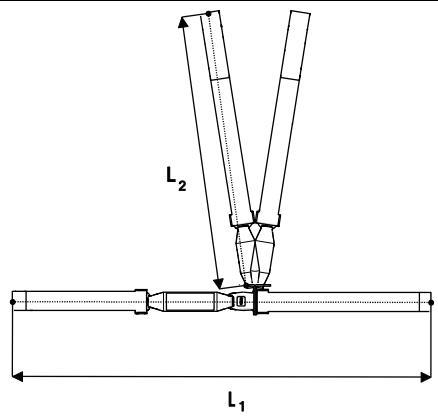
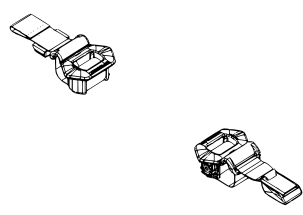
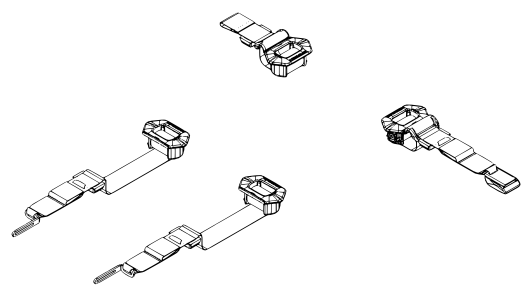
*Poznámka: Společnost Spencer Italia S.r.l. si vyhrazuje právo na změny charakteristik bez předchozího upozornění.*



Id	Popis	Id	Popis
1	Kovová spona samice	6	Karabina
2	Hrudní úchyt	7	Plastový úchyt samice
3	Kovový úchyt samec	8	Plastový úchyt samec
4	Naviják	9	Hliníkový úchyt samec
5	Pás hrudního popruhu	10	Hliníkový úchyt samice



SOUČÁSTI POPRUHU		MATERIÁL	
Kovová spona		Chromovaná ocel a plast	
Plastová spona		Nylon	
Hliníková spona		Hliník	
Pás		Nylon	
MODEL		D max (mm)	D min (mm)
STX 597		1900	400
STX 598		1500	700
STX 494		1600	450
STX 591 STX 701		1850	350
STX 592		1600	600
STX 702 STX 526		1600	600

STX 580		1600	700
STX 499		<b>D<sub>1</sub> max (mm)</b>	<b>D<sub>1</sub> min (mm)</b>
		1700	600
DNA STRAP		<b>D max pás samec</b>	<b>D max pás samice</b>
		800	500
DNA STRAP HRUDNÍ		<b>D max pás samec</b>	<b>D max pás samice</b>
		800	700
		<b>D max ramenní pásy</b>	
		1100	

## 9. PRVNÍ POUŽITÍ

Před prvním použitím zkontrolujte:

- Zda je obal neporušený a ochránil prostředek během přepravy
- Zda jsou přítomné veškeré součásti uvedené na dodacím listu.
- Celkovou funkčnost prostředku
- Zda je prostředek čistý
- Zda struktura prostředku nevykazuje známky pořezání, děr, trhlin či odření
- Stav opotřebení prostředku.
- Správnou funkčnost spon
- Správnou funkčnost karabin, pokud jsou součástí daného modelu
- Správnou funkčnost navijáku, pokud je součástí daného modelu

V odstavci 11 si prostudujte postupy pro provádění výše uvedených kontrol.

V žádném případě neupravujte součásti prostředku, jelikož by mohlo dojít k ohrožení bezpečnosti pacienta a/nebo záchranářů.



**Nedodržení výše uvedených pokynů může mít za následek ohrožení bezpečného použití prostředku a vznik rizika pro pacienta, personál a samotný prostředek.**

**Při dalších použitích postupujte podle pokynů uvedených v odstavci 12.**

V případě splnění uvedených požadavků lze prostředek považovat za připravený k použití; v opačném případě je nutné okamžitě vyřadit prostředek a informovat výrobce.

Neprovádějte žádné úpravy prostředku, jelikož by mohlo dojít k nepředpokládané změně funkčnosti a následným škodám na zdraví pacienta či záchranářů. V opačném případě záruka nebude uznána a výrobce bude zbaven veškeré odpovědnosti.

## 10. FUNKČNÍ CHARAKTERISTIKY

Informace o funkčních charakteristikách jsou uvedeny v odstavci 11 – Způsob použití

## 11. ZPŮSOB POUŽITÍ

Před manipulací s pacientem je nutné provést posouzení jeho zdravotního stavu.

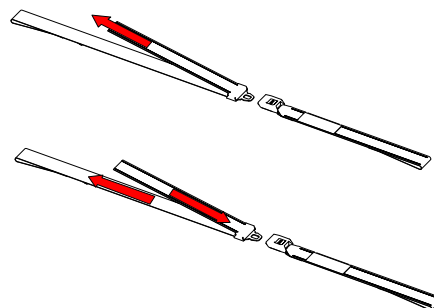
Před použitím jakýchkoliv popruhů popsaných v tomto návodu si pozorně přečtěte návod k použití prostředku, se kterým budou popruhy používány.

### 11.1 SEŘÍZENÍ DÉLKY

Délka popruhů může být seřízena tak, aby byla přizpůsobena dle pacienta a použitého prostředku.

Pro zkrácení popruhu zatáhněte za volný konec popruhu směrem od spony.

Pro prodloužení popruhu stlačte volný konec do vnitřní části spony a zatáhněte za pás vyčnívající ze spony. Tento úkon zopakujte několikrát, až do dosažení požadované délky.



### 11.2 ZAPÍNÁNÍ A ROZEPÍNÁNÍ POPRUHU

Typ úchytu	Zapínání	Rozepínání
Kov		
Plast		
Hliník		
Hrudní		

### 11.3 POUŽITÍ POPRUHŮ S 1 DÍLEM

Popruhy s 1 dílem jsou určeny pro použití s těmito prostředky:

- Vakuové matrace
- Scoop rámy

Pro nasazení rozložte popruhy na zemi, položte na ně prostředek, který budete používat pro transport, umístěte pacienta na transportní prostředek dle příslušného návodu a proveďte seřízení a zapnutí popruhů tak, aby byla zajištěna dostatečná imobilizace pacienta na prostředku.

Zkontrolujte, zda byl tento úkon proveden správným způsobem a zda je pacient pevně zajištěn na prostředku.

#### 11.4 POUŽITÍ POPRUHŮ SE 2 DÍLY

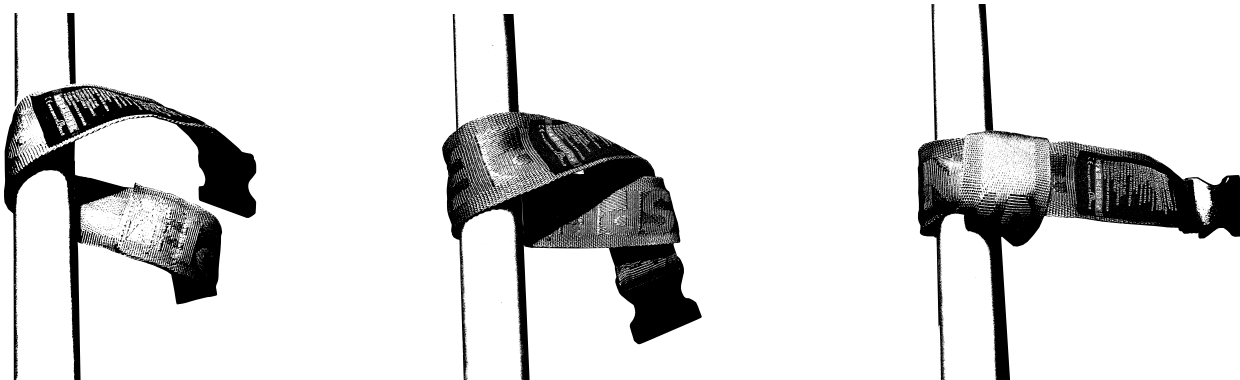
Popruhy se 2 díly jsou určeny pro použití s těmito prostředky:

- ambulanční lehátka
- záchrannářská nosítka
- páteřní desky
- Scoop rámy
- vakuové matrace vybavené obvodovým lanem
- košová nosítka
- transportní křesla
- transportní křesla pro přesun po schodech

Výběr typu spony závisí na typu použití transportního prostředku.

Pro nasazení dvoudílných popruhů určete na transportním prostředku místo aplikace, dle pokynů uvedených v příslušném návodu. Oviňte danou část rámu a vytvořte uzel pro zajištění popruhu na rámu.

Seřídte délku a zapněte popruhy pro zajištění pacienta na prostředku.



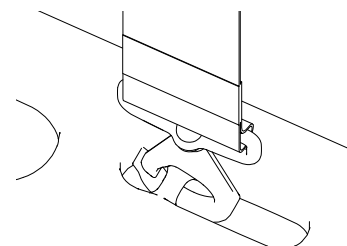
#### 11.5 POPRUHŮ S KARABINOU

Popruhy s karabinou jsou určeny pro použití s těmito prostředky:

- páteřní desky vybavené PINEM
- vakuové matrace vybavené oky pro jejich uchycení.

Pro nasazení identifikujte PIN nebo oko pro nasazení karabiny a stiskněte pohyblivou část karabiny směrem k PINU nebo oku tak, aby se nacházely uvnitř karabiny.

Po kontrole správného nasazení popruhu seřídte délku a zapněte popruhy pro zajištění pacienta na prostředku.

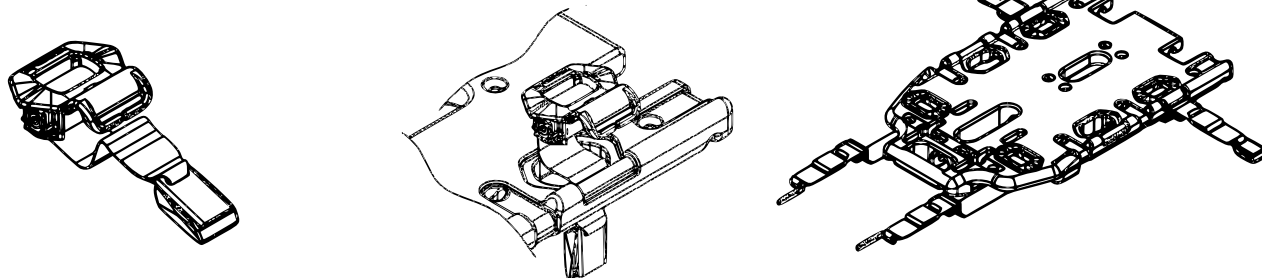


#### 11.6 INSTALACE DNA STRAP

Popruhy DNA strap jsou určeny pro použití s transportními nosítky vybavenými příslušnými úchyty.

Pro nasazení postupujte následovně:

- 1 – Uvolněte pás z uložení uvnitř navijáku.
- 2 – Nasuňte systém DNA za zachování správného napnutí pásu do příslušného otvoru v rámu nosítek. Pás samec se musí nacházet na levé straně a pás samice na pravé straně nosítek.
- 3 – Pro ukončení instalace znovu nasuňte popruhy do otvoru v navijáku DNA
- 4 – Stejným způsobem postupujte v případě hrudních popruhů



Po umístění pacienta zapněte popruhy a zkontrolujte, zda jsou nasazeny správným způsobem.

**!** DNA straps nejsou vybaveny napínákem. Proto je nutné provést jejich manuální seřízení po zapnutí popruhů, navinutím popruhů do navijáku pro zaručení správného napnutí.

V případě nesprávného seřízení prostředek není bezpečný a účinný.

## 12. ČIŠTĚNÍ A ÚDRŽBA

**Spencer Italia S.r.l. odmítá veškerou odpovědnost za jakékoliv přímé či nepřímé škody způsobené nevhodným použitím výrobku a náhradních dílů a/nebo jakýmkoliv zákrokem týkajícím se opravy provedené jinými subjekty než je výrobce, který má k dispozici interní a externí odborný personál, pověřený prováděním těchto úkonů; kromě toho nebude uznána záruka poskytovaná na výrobek.**

- Během kontrol, údržby či dezinfikování prostředku je nutné používat vhodné osobní ochranné prostředky, jako například rukavice, brýle apod.
- Je nutné zpracovat plán údržby, pravidelných kontrol a prodloužení průměrného životního cyklu výrobku, pokud je to předpokládáno výrobcem v návodu k použití. Kromě toho je nutné určit odpovědnou osobu, splňující požadavky uvedené v návodu k použití.
- **Intervaly kontrol záleží na různých okolnostech, mezi které patří ustanovení zákona, typ použití, četnost použití, podmínky použití a podmínky skladování.**
- Oprava výrobků dodávaných společností Spencer Italia S.r.l. musí být vždy prováděna výrobcem, který má k dispozici interní a externí odborný personál používající originální náhradní díly a schopný poskytnout kvalitní servis, v souladu s technickými specifikacemi stanovenými výrobcem. Spencer Italia S.r.l. odmítá veškerou odpovědnost za přímé či nepřímé škody, způsobené nevhodným použitím náhradních dílů a/nebo jakoukoli opravou provedenou neoprávněným personálem.
- Obnova, neboli postup prováděný na použitém prostředku pro obnovení technické a funkční bezpečnosti použitého prostředku, včetně opětné registrace, musí být prováděn výrobcem.
- Veškeré úkony spojené s údržbou a prověrkami musí být zapisovány a dokumentovány prostřednictvím zpráv o technickém zákroku. Tyto dokumenty musí být uchovávány nejméně po dobu 10 let od ukončení životního cyklu výrobku a na žádost musí být předloženy příslušným orgánům /nebo výrobci.
- Čištění, předepsané pro opakovaně používané výrobky, musí být prováděno v souladu s pokyny výrobce, uvedenými v návodu k použití, pro zabránění riziku křížových infekcí způsobených přítomností tělních tekutin a/nebo reziduí.

### 12.1 ČIŠTĚNÍ

Nedodržení pokynů pro správné čištění může mít za následek riziko křížových infekcí způsobených přítomností tělních tekutin a/nebo reziduí.

Během kontrol či dezinfikování prostředku je nutné používat vhodné osobní ochranné prostředky, jako například rukavice, brýle apod.

Případné kovové části vystavené vnějším vlivům byly podrobeny povrchové úpravě a/nebo lakování, pro zaručení vyšší odolnosti. Vnější části musí být čištěny vlažnou vodou a neutrálním čistícím přípravkem; **nikdy nepoužívejte rozpouštědla či odstraňovače skvrn.**

Prostředek pečlivě opláchněte vlažnou vodou a zkontrolujte, zda byly odstraněny veškeré zbytky čistícího přípravku, které by prostředek mohly poškodit či ohrozit jeho neporušenost a životnost. **Nepoužívejte vysokotlaký proud vody**, jelikož by mohlo dojít k vniku vody do spojů a riziku koroze součástí. Před uložením výrobek dokonale osušte. Po čištění nebo použití ve vlhkém prostředí musí být výrobek osušen na vzduchu, nikoliv nuceně; nepoužívejte oheň či jiné přímé tepelné zdroje.

Pro případné **dezinfikování** používejte výrobky, které jsou klasifikovány jako lékařské a chirurgické prostředky a které neobsahují rozpouštědla a nemají korozivní účinek na materiály, ze kterých je prostředek vyroben. Ujistěte se, že byla učiněna veškerá opatření pro zabránění riziku křížových infekcí nebo kontaminací mezi pacientem a personálem.

Výrobky na jednorázové použití nevyžadují žádné čištění za předpokladu, že byly správně uskladněny a zabaleny v souladu s pokyny výrobce.

### 12.2 ŘÁDNÁ ÚDRŽBA

Musí být stanoven plán pravidelných kontrol, včetně zvolení odpovědné osoby. Subjekt pověřený údržbou prostředku musí splňovat základní požadavky, uvedené v tomto návodu k použití.

Veškeré úkony spojené s údržbou a prověrkami musí být zapisovány a dokumentovány prostřednictvím zpráv o technickém zákroku. Tento dokument musí být uchováván nejméně po dobu 10 let od ukončení životního cyklu prostředku a na žádost musí být předložen příslušným orgánům a/nebo výrobci.

Během kontrol, údržby či dezinfikování prostředku je nutné používat vhodné osobní ochranné prostředky, jako například rukavice, brýle apod.

Prostředek nevyžaduje plán řádné údržby, ale před každým a po každém použití je nutné provádět předepsané kontroly a prověřovat:

- Celkovou funkčnost prostředku
- Zda je prostředek čistý (připomínáme, že nedbalé čištění může mít za následek riziko křížových infekcí)
- Splnění požadavků uvedených v návodu k použití v části 5 Varování a 6 Specifická varování
- Splnění požadavků uvedených v návodu k použití v části 11 Způsob použití

Používejte pouze originální součásti/náhradní díly a/nebo originální příslušenství nebo příslušenství schválené společností Spencer Italia S.r.l., aby nedošlo k narušení nebo změnám prostředku; v opačném případě výrobce neponese odpovědnost za nesprávnou funkčnost či případné škody způsobené prostředkem na zdraví pacienta či uživatele; kromě toho dojde k zániku záruky a shody prostředku s požadavky Nařízení EU 2017/745.

### 12.3 PRAVIDELNÁ PROVĚRKA

Pro tento prostředek není předpokládána pravidelná prověrka.

## 12.4 MIMOŘÁDNÁ ÚDRŽBA

Není předpokládána žádná mimořádná údržba těchto prostředků.

## 12.5 ŽIVOTNOST

**Pokud je prostředek používán v souladu s uvedenými pokyny, předpokládaná životnost je 2 let od data zakoupení.**

Společnost Spencer Italia S.r.l. odmítá veškerou odpovědnost za nesprávnou funkčnost či škody způsobené použitím prostředků po uplynutí jejich maximální životnosti.

## 13. TABULKA PORUCH

PROBLÉM	PŘÍČINA	ŘEŠENÍ
Nelze uchytil plastovou sponu	Spona nebyla správně nasazena	Při nasazování spony dávejte pozor, aby byly samec i samice správně vyrovnány a aby jedna z těchto částí nebyla otočena
Nelze uchytil kovovou sponu		
<b>Nelze rozepnout kovovou sponu</b>	<b>Poškozené vnitřní součásti</b>	Okamžitě vyřadte prostředek a vyměňte jej za ekvivalentní prostředek
Naviják popruhů DNA nefunguje	Prasknutí nebo protažení vnitřní pružiny	Okamžitě vyřadte prostředek a vyměňte jej za ekvivalentní prostředek

V případě jiných, než výše uvedených problémů či poruch se obraťte zákaznické oddělení společnosti Spencer Italia srl.

## 14. PŘÍSLUŠENSTVÍ

Pro tento prostředek není dostupné žádné příslušenství

## 15. NÁHRADNÍ DÍLY

Pro tento prostředek nejsou dostupné žádné náhradní díly

## 16. LIKVIDACE

Po vyřazení prostředku a jeho příslušenství, pokud nedošlo ke kontaminaci zvláštními látkami, je možné provést likvidaci společně s běžným komunálním odpadem. V opačném případě postupujte podle platných právních předpisů pro likvidaci.

# ΕΥΡΕΤΗΡΙΟ

<b>1. ΜΟΝΤΕΛΑ</b>	<b>80</b>
<b>2. ΠΡΟΟΡΙΣΜΟΣ ΧΡΗΣΗΣ</b>	<b>80</b>
2.1 Προορισμός χρήσης και κλινικά οφέλη	80
2.2 ΑΣΘΕΝΕΙΣ για τους οποίους προορίζονται	80
2.3 Κριτήρια επιλογής ασθενών	80
2.4 αντενδείξεις ΚΑΙ ΑΝΕΠΙΘΥΜΗΤΕΣ ΕΝΕΡΓΕΙΕΣ	80
2.5 ΧΡΗΣΤΕΣ και εγκαταστάτες	80
2.5.1 Κατάρτιση χρηστών	80
2.5.2 Κατάρτιση εγκαταστάτη	80
<b>3. ΠΡΟΤΥΠΟ ΑΝΑΦΟΡΑΣ</b>	<b>81</b>
<b>4. ΕΙΣΑΓΩΓΗ</b>	<b>81</b>
4.1 Χρήση του εγχειριδίου	81
4.2 Επισήμανση και έλεγχος ιχνηλασιμότητας του βοηθήματος	81
4.3 ΕΠΕΞΗΓΗΣΗ ΣΥΜΒΟΛΩΝ	81
4.4 Εγγύηση και εξυπηρέτηση	82
<b>5. ΠΡΟΕΙΔΟΠΟΙΗΣΕΙΣ/ΚΙΝΔΥΝΟΙ</b>	<b>82</b>
<b>6. ΕΙΔΙΚΕΣ ΠΡΟΕΙΔΟΠΟΙΗΣΕΙΣ</b>	<b>83</b>
<b>7. ΕΝΑΠΟΜΕΙΝΑΣ ΚΙΝΔΥΝΟΣ</b>	<b>83</b>
<b>8. ΤΕΧΝΙΚΑ ΣΤΟΙΧΕΙΑ ΚΑΙ ΕΞΑΡΤΗΜΑΤΑ</b>	<b>84</b>
<b>9. ΘΕΣΗ ΣΕ ΛΕΙΤΟΥΡΓΙΑ</b>	<b>86</b>
<b>10. ΧΑΡΑΚΤΗΡΙΣΤΙΚΑ ΛΕΙΤΟΥΡΓΙΑΣ</b>	<b>86</b>
<b>11. ΤΡΟΠΟΙ ΧΡΗΣΗΣ</b>	<b>86</b>
11.1 Ρύθμιση του μήκους	86
11.2 Αγκύρωση και απελευθέρωση της ζώνης	86
11.3 Χρήση των μονών ζωνών	87
11.4 Χρήση των ζωνών 2 μερών	87
11.5 Χρήση των ζωνών με άγκιστρο	87
11.6 Εγκατάσταση μάντα DNA	88
	88
<b>12. ΚΑΘΑΡΙΣΜΟΣ ΚΑΙ ΣΥΝΤΗΡΗΣΗ</b>	<b>88</b>
12.1 Καθαρισμός	88
12.2 ΤΑΚΤΙΚΗ συντήρηση	89
12.3 Περιοδικός επανέλεγχος	89
12.4 ΕΚΤΑΚΤΗ συντήρηση	89
12.5 Διάρκεια ζωής	89
<b>13. ΠΙΝΑΚΑΣ ΔΙΑΧΕΙΡΙΣΗΣ ΒΛΑΒΩΝ</b>	<b>89</b>
<b>14. ΕΞΑΡΤΗΜΑΤΑ</b>	<b>90</b>
<b>15. ΑΝΤΑΛΛΑΚΤΙΚΑ</b>	<b>90</b>
<b>16. ΑΠΌΡΡΙΨΗ</b>	<b>90</b>

#### προειδοποίηση

οι πληροφορίες που περιέχονται στο παρόν έγγραφο υπόκεινται σε τροποποιήσεις χωρίς προειδοποίηση και εννοούνται ως δεσμευτικές εκ μέρους της εταιρείας Spencer Italia S.r.l. με την επιφύλαξη τροποποιήσεων. Τα προϊόντα Spencer εξάγονται σε πολλές χώρες όπου δεν ισχύουν πάντα ίδιοι κανόνες. Για τον λόγο αυτό ενδέχεται να υπάρχουν διαφοροποιήσεις ανάμεσα σε όσα περιγράφονται εδώ και στα προϊόντα που παραλαμβάνονται. Η εταιρεία Spencer εργάζεται συνεχώς με γνώμονα τη βελτιστοποίηση των μοντέλων και των προϊόντων όλων των ειδών που πουλάει. Επομένως, βασισόμαστε στην κατανόησή σας εάν επιφυλασσόμαστε του δικαιώματός μας να επιφέρουμε ανά πάσα στιγμή τροποποιήσεις στα προϊόντα όσον αφορά τη μορφή, τον εξοπλισμό, την τοποθέτηση και την τεχνική συγκριτικά με όσα αναφέρονται στο παρόν.

© copyright spencer italia s.r.l.

Με την επιφύλαξη όλων των δικαιωμάτων. Δεν επιτρέπεται η αντιγραφή, αναπαραγωγή ή μετάφραση σε άλλη γλώσσα κανενός μέρους του παρόντος εγγράφου χωρίς την πρότερη έγγραφη συναίνεση της εταιρείας Spencer Italia S.r.l.

## 1. ΜΟΝΤΕΛΑ

Τα βασικά μοντέλα που αναφέρονται παρακάτω υπόκεινται σε υλοποιήσεις ή τροποποιήσεις χωρίς προειδοποίηση.

ΜΟΝΤΕΛΟ	ΕΙΔΟΣ ΖΩΝΗΣ	ΓΑΝΤΖΟΣ
STX 597	1 ΜΕΡΟΣ	ΠΛΑΣΤΙΚΟΣ
STX 598	2 ΜΕΡΗ	ΠΛΑΣΤΙΚΟΣ
STX 591	1 ΜΕΡΟΣ	ΜΕΤΑΛΛΙΚΟΣ
STX 494	2 ΜΕΡΗ	ΑΓΚΙΣΤΡΟ
STX 592	2 ΜΕΡΗ	ΜΕΤΑΛΛΙΚΟΣ
STX 526	2 ΜΕΡΗ	ΜΕΤΑΛΛΙΚΟΣ
STX 701	1 ΜΕΡΟΣ	ΜΕΤΑΛΛΙΚΟΣ
STX 702	2 ΜΕΡΗ	ΜΕΤΑΛΛΙΚΟΣ
STX 580	2 ΜΕΡΗ	ΑΛΟΥΜΙΝΕΝΙΟΣ
STX 499	4 ΜΕΡΗ ΘΩΡΑΚΑ	ΜΕΤΑΛΛΙΚΟΣ
ΙΜΑΝΤΑΣ DNA	2 ΜΕΡΗ ΜΕ ΠΕΡΙΕΛΙΚΤΗ	ΜΕΤΑΛΛΙΚΟΣ
ΙΜΑΝΤΑΣ DNA ΘΩΡΑΚΑ	4 ΜΕΡΗ ΜΕ ΠΕΡΙΕΛΙΚΤΗ	ΜΕΤΑΛΛΙΚΟΣ

## 2. ΠΡΟΟΡΙΣΜΟΣ ΧΡΗΣΗΣ

### 2.1 ΠΡΟΟΡΙΣΜΟΣ ΧΡΗΣΗΣ ΚΑΙ ΚΛΙΝΙΚΑ ΟΦΕΛΗ

Οι ζώνες ακινητοποίησης είναι βοηθήματα που χρησιμοποιούνται για την επίτευξη ενός ικανοποιητικού βαθμού ακινητοποίησης του ασθενούς για τη μεταφορά του σε συνθήκες ασφαλείας εφόσον τίθενται σε λειτουργία σύμφωνα με το προϊόν που χρησιμοποιείται.

### 2.2 ΑΣΘΕΝΕΙΣ ΓΙΑ ΤΟΥΣ ΟΠΟΙΟΥΣ ΠΡΟΟΡΙΖΟΝΤΑΙ

Δεν υπάρχουν ειδικές ενδείξεις αναφορικά με την ομάδα ασθενών.

Πρόσθετες πληροφορίες για τη χρήση μπορούν να συσχετίζονται με το βοήθημα με το οποίο χρησιμοποιούνται οι ζώνες. Για τον σκοπό αυτό, ανατρέξτε επομένως στο εγχειρίδιο χρήσης του βοηθήματος μεταφοράς που χρησιμοποιείται.

### 2.3 ΚΡΙΤΗΡΙΑ ΕΠΙΛΟΓΗΣ ΑΣΘΕΝΩΝ

Τα κριτήρια επιλογής των αναμενόμενων ασθενών είναι τα κριτήρια που ισχύουν για το βοήθημα με το οποίο χρησιμοποιούνται οι ιμάντες.

### 2.4 ΑΝΤΕΝΔΕΙΞΕΙΣ ΚΑΙ ΑΝΕΠΙΘΥΜΗΤΕΣ ΕΝΕΡΓΕΙΕΣ

Δεν είναι γνωστές ιδιαίτερες αντενδείξεις ή ανεπιθύμητες ενέργειες που οφείλονται στη χρήση του βοηθήματος, εφόσον χρησιμοποιείται σύμφωνα με το εγχειρίδιο χρήσης.

### 2.5 ΧΡΗΣΤΕΣ ΚΑΙ ΕΓΚΑΤΑΣΤΑΤΕΣ

Οι προβλεπόμενοι χρήστες είναι επαγγελματίες υγείας επείγοντων περιστατικών, ειδήμονες στη μετακίνηση, την ακινητοποίηση και τη μεταφορά του ασθενούς.

Τα βοηθήματα δεν προορίζονται για μη ειδήμονες χρήστες

Οι ζώνες ακινητοποίησης είναι ένα βοήθημα που προορίζεται αποκλειστικά για επαγγελματική χρήση. Μην επιτρέπετε σε άτομα χωρίς εκπαίδευση να βοηθούν κατά τη χρήση του προϊόντος, καθώς ενδέχεται να τραυματιστούν ή να τραυματίσουν άλλους.

Παρόλες τις προσπάθειες, τα εργαστηριακά τεστ, τις δοκιμές, τις οδηγίες χρήσης, τα πρότυπα δεν κατορθώνουν πάντα να αναπαραγάγουν την πρακτική εξάσκηση, συνεπώς τα αποτελέσματα που προκύπτουν σε πραγματικές συνθήκες χρήσης του προϊόντος στο φυσικό περιβάλλον ενδέχεται να διαφέρουν ακόμα και σε σημαντικό βαθμό.

Οι καλύτερες οδηγίες χρήσης είναι η συνεχής πρακτική εξάσκηση υπό την επίβλεψη αρμόδιου και καταρτισμένου προσωπικού

Οι επαγγελματίες υγείας που το χρησιμοποιούν οφείλουν να διαθέτουν τη σωματική ικανότητα χρήσης του βοηθήματος και ικανοποιητικό μυϊκό συντονισμό. Οι ικανότητες των επαγγελματιών υγείας πρέπει να αξιολογούνται πριν την απόδοση των ρόλων που θα διαδραματίσουν τη στιγμή της χρήσης του βοηθήματος.

**Οι επαγγελματίες υγείας οφείλουν να μπορούν να παρέχουν την απαραίτητη αρωγή στον ασθενή.**

### 2.5.1 ΚΑΤΑΡΤΙΣΗ ΧΡΗΣΤΩΝ

- Ανεξάρτητα από τον βαθμό πείρας στη χρήση ανάλογων βοηθημάτων, είναι απαραίτητο να διαβάσετε με προσοχή και να κατανοήσετε το περιεχόμενο του παρόντος εγχειριδίου πριν την εγκατάσταση, τη θέση σε λειτουργία του προϊόντος ή τη διενέργεια οποιασδήποτε εργασίας συντήρησης. Σε περίπτωση που έχετε αμφιβολίες, επικοινωνήστε με την εταιρία Spencer Italia S.r.l. για να λάβετε τις απαραίτητες διευκρινήσεις.
- Το προϊόν πρέπει να χρησιμοποιείται μόνο από προσωπικό εκπαιδευμένο στη χρήση αυτού του συγκεκριμένου προϊόντος και όχι άλλων παρόμοιων.
- Η καταλληλότητα των χρηστών αναφορικά με τη χρήση του προϊόντος μπορεί να πιστοποιηθεί με το έντυπο καταχώρησης της κατάρτισης, όπου προσδιορίζονται τα άτομα που κατάρτιστηκαν, εκείνα που κατάρτισαν καθώς και η ημερομηνία και ο τόπος διεξαγωγής της κατάρτισης. **Η τεκμηρίωση αυτή πρέπει να φυλάσσεται τουλάχιστον για χρονικό διάστημα 10 ετών μετά το τέλος της διάρκειας ζωής του προϊόντος και πρέπει να τίθεται στη διάθεση των αρμόδιων Αρχών και/ή του κατασκευαστή, εφόσον ζητηθεί. Ελλείψει αυτής, τα αρμόδια όργανα θα εφαρμόσουν τις ενδεχόμενες προβλεπόμενες κυρώσεις.**
- Μην επιτρέπετε σε άτομα χωρίς εκπαίδευση να βοηθούν κατά τη χρήση του προϊόντος, καθώς ενδέχεται να τραυματιστούν ή να τραυματίσουν άλλους.

**Σημείωση: Η εταιρία Spencer Italia S.r.l. είναι πάντα διαθέσιμη για τη διεξαγωγή προγραμματών κατάρτισης.**

### 2.5.2 ΚΑΤΑΡΤΙΣΗ ΕΓΚΑΤΑΣΤΑΤΗ

Ο εγκαταστάτης των ζωνών DNA πρέπει να είναι σε θέση να κατανοεί το περιεχόμενο του παρόντος εγχειριδίου και πρέπει να διασφαλίσει ότι η εγκατάσταση του εν λόγω βοηθήματος πραγματοποιήθηκε με τον δέοντα τρόπο, όπως περιγράφεται στην παρ. 11.6. Για τα λοιπά βοηθήματα που περιγράφονται στο παρόν εγχειρίδιο, δεν προβλέπεται εγκατάσταση



### 3. ΠΡΟΤΥΠΟ ΑΝΑΦΟΡΑΣ

Με την ιδιότητα του προμηθευτή ή τελικού χρήστη των προϊόντων που κατασκευάζει και/ή εμπορεύεται, η εταιρεία Spencer Italia S.r.l. οφείλει υποχρεωτικά να γνωρίζει τις νομοθετικές διατάξεις που ισχύουν στη χώρα προορισμού του εμπορεύματος, και οι οποίες εφαρμόζονται στα βοηθήματα που αποτελούν αντικείμενο της προμήθειας (στις οποίες περιλαμβάνεται και η νομοθεσία που διέπει τις τεχνικές προδιαγραφές και/ή τις απαιτήσεις ασφαλείας) και επομένως, οφείλει να γνωρίζει τα μέτρα που είναι απαραίτητα να ληφθούν προκειμένου να διασφαλιστεί η συμμόρφωση των προϊόντων αυτών με τις απαιτήσεις της τοπικής νομοθεσίας.

ΑΝΑΦΟΡΑ	ΤΙΤΛΟΣ ΤΟΥ ΕΓΓΡΑΦΟΥ
Κανονισμός ΕΕ 2017/745	Κανονισμός ΕΕ σχετικά με τα ιατροτεχνολογικά προϊόντα

### 4. ΕΙΣΑΓΩΓΗ

#### 4.1 ΧΡΗΣΗ ΤΟΥ ΕΓΧΕΙΡΙΔΙΟΥ

Το παρόν εγχειρίδιο αποσκοπεί να δώσει στον επαγγελματία υγείας τις πληροφορίες που είναι απαραίτητες για την ασφαλή και ενδεδειγμένη χρήση καθώς και για την επαρκή συντήρηση του βοηθήματος.

*Σημείωση: το εγχειρίδιο αποτελεί συστατικό μέρος του μηχανισμού και, επομένως πρέπει να φυλάσσεται καθόλη τη διάρκεια ζωής του προϊόντος και πρέπει να το συνοδεύει σε ενδεχόμενη αλλαγή χρήσης ή ιδιοκτησίας. Σε περίπτωση που υπάρχουν οδηγίες χρήσης που αφορούν άλλο προϊόν, διαφορετικό από εκείνο που παραλάβατε, πρέπει απαραίτητα να επικοινωνήσετε με τον κατασκευαστή πριν το χρησιμοποιήσετε.*

Τα εγχειρίδια χρήσης των προϊόντων Spencer, μπορείτε να τα μεταφορτώσετε από τον δικτυακό τόπο <http://support.spencer.it> ή μπορείτε να επικοινωνήσετε με τον κατασκευαστή. Εξαιρούνται τα προϊόντα που η υποτυπώδης απλότητα και η λογική και προβλεπόμενη χρήση τους δεν απαιτεί τη σύνταξη οδηγιών, πέραν των κάτωθι προειδοποιήσεων και των οδηγιών που αναγράφονται στην ετικέτα.

Ανεξάρτητα από τον βαθμό πείρας στη χρήση ανάλογων βοηθημάτων, συνιστάται να διαβάσετε με προσοχή και να κατανοήσετε το περιεχόμενο του παρόντος εγχειριδίου πριν την εγκατάσταση, τη θέση σε λειτουργία του προϊόντος ή τη διενέργεια οποιασδήποτε εργασίας συντήρησης.

#### 4.2 ΕΠΙΣΗΜΑΝΣΗ ΚΑΙ ΈΛΕΓΧΟΣ ΙΧΝΗΛΑΣΙΜΟΤΗΤΑΣ ΤΟΥ ΒΟΗΘΗΜΑΤΟΣ










Κάθε βοήθημα παρέχεται με μία ετικέτα, που βρίσκεται επάνω στο βοήθημα και/ή στη συσκευασία, στην οποία αναγράφονται τα στοιχεία αναγνώρισης του κατασκευαστή, του προϊόντος, η σήμανση CE, ο αύξων αριθμός (SN) ή ο αριθμός παρτίδας (LOT). Η ετικέτα αυτή δεν πρέπει ποτέ να αφαιρείται ή να καλύπτεται.

*Σε περίπτωση που υποστεί φθορά ή αφαιρεθεί, ζητήστε αντίτυπο από τον κατασκευαστή, επί ποινή ακύρωσης της εγγύησης, εφόσον το βοήθημα δεν θα είναι πλέον ιχνηλάσιμο.*

*Σε περίπτωση που δεν κατορθώσετε να ανατρέξετε στον αντιστοιχισμένο αριθμό παρτίδας/SN, οφείλετε να προβείτε στην επανεπεξεργασία του βοηθήματος, υπό τη μόνη ευθύνη του κατασκευαστή, όπως προβλέπεται.*

Ο Κανονισμός ΕΕ 2017/754 απαιτεί από τους κατασκευαστές και προμηθευτές των ιατροτεχνολογικών βοηθημάτων να ιχνηλατούν την τοποθεσία τους. Εάν το βοήθημα βρίσκεται σε διαφορετικό τόπο από τη διεύθυνση στην οποία απεστάλη ή εάν έχει μεταπωληθεί, δωρηθεί, απωλεσθεί, κλαπεί, εξαχθεί ή καταστραφεί, τεθεί μονίμως εκτός λειτουργίας, ή σε περίπτωση που το βοήθημα δεν έχει παραδοθεί απευθείας από την εταιρεία Spencer Italia S.r.l., καταχωρήστε το βοήθημα στην ηλεκτρονική διεύθυνση <http://service.spencer.it>, ή εναλλακτικά ενημερώστε το Τμήμα εξυπηρέτησης πελατών (βλ. § 4.4).

#### 4.3 ΕΠΕΞΗΓΗΣΗ ΣΥΜΒΟΛΩΝ

Σύμβολο	Επεξήγηση
	Βοήθημα που συμμορφώνεται προς τον Κανονισμό ΕΕ 2017/745
	Ιατροτεχνολογικό βοήθημα
	Κατασκευαστής
	Ημερομηνία κατασκευής
	Κίνδυνος – Επισημαίνει μία κατάσταση κινδύνου, η οποία μπορεί να οδηγήσει σε μία κατάσταση άμεσα συνδεδεμένη με σοβαρό ή θανάσιμο τραυματισμό
	Συμβουλευθείτε το εγχειρίδιο χρήσης
	Αριθμός παρτίδας
	Κωδικός προϊόντος
	Unique Device Identifier

#### 4.4 ΕΓΓΥΗΣΗ ΚΑΙ ΕΞΥΠΗΡΕΤΗΣΗ

Η εταιρεία Spencer Italia S.r.l. εγγυάται ότι τα προϊόντα της δεν παρουσιάζουν ελαττώματα για τη χρονική περίοδο **ενός έτους από την ημερομηνία αγοράς**.

Για πληροφορίες σχετικά με την ορθή ερμηνεία των οδηγιών χρήσης, συντήρησης, εγκατάστασης ή επιστροφής, επικοινωνήστε με το Τμήμα εξυπηρέτησης πελατών της εταιρείας Spencer τηλ. +39 0521 541154, φας +39 0521 541222, email [service@spencer.it](mailto:service@spencer.it).

Για την ευκολότερη εξυπηρέτησή σας, αναφέρετε πάντα τον αριθμό παρτίδας (LOT) ή τον αύξοντα αριθμό (SN) που αναγράφεται στην ετικέτα που βρίσκεται επάνω στη συσκευασία ή στο βοήθημα.

**Οι όροι εγγύησης και το Τμήμα εξυπηρέτησης είναι διαθέσιμα στον δικτυακό τόπο <http://support.spencer.it>.**

*Σημείωση:*

*Καταχωρήστε και φυλάξτε με τις παρακάτω οδηγίες: αριθμός παρτίδας (LOT) ή αύξων αριθμός (SN) εάν υπάρχει, τόπος και ημερομηνία αγοράς, ημερομηνία πρώτης χρήσης, ημερομηνία διενέργειας ελέγχων, όνομα των χρηστών και σχέδια.*

#### 5. ΠΡΟΕΙΔΟΠΟΙΗΣΕΙΣ/ΚΙΝΔΥΝΟΙ



Οι προειδοποιήσεις, οι κίνδυνοι, οι σημειώσεις και άλλες σημαντικές πληροφορίες ασφαλείας αναγράφονται στην παρούσα ενότητα και είναι ξεκάθαρα εμφανείς σε όλο το εγχειρίδιο.

Τουλάχιστον κάθε 6 μήνες είναι σημαντικό να ελέγχετε εάν υπάρχουν επικαιροποιημένες οδηγίες και ενδεχόμενες τροποποιήσεις που αφορούν το προϊόν σας. Μπορείτε ελεύθερα να συμβουλευθείτε τις πληροφορίες αυτές στον δικτυακό τόπο [www.spencer.it](http://www.spencer.it) στη σελίδα που αφορά το προϊόν σας.

#### **Λειτουργικότητα προϊόντος**

**Απαγορεύεται η χρήση του προϊόντος για οποιαδήποτε άλλη χρήση πέραν αυτής που περιγράφεται στο εγχειρίδιο χρήσης.**



- Πριν από κάθε χρήση, ελέγχετε πάντα εάν το προϊόν είναι σε άψογη κατάσταση, όπως διευκρινίζεται στο εγχειρίδιο χρήσης και σε περίπτωση που διαπιστώσετε κάποια ανωμαλία/βλάβη που ενδέχεται να θέσει σε κίνδυνο τη λειτουργικότητα/ασφάλεια του προϊόντος, πρέπει να το θέσετε εκτός λειτουργίας και να επικοινωνήσετε με τον κατασκευαστή.

- Σε περίπτωση που αντιληφθείτε κάποια δυσλειτουργία του προϊόντος, χρησιμοποιήστε αμέσως ένα παρόμοιο βοήθημα προκειμένου να διασφαλίσετε τη συνέχιση των ενεργειών που είναι σε εξέλιξη. Το μη συμβατικό βοήθημα πρέπει να τεθεί εκτός λειτουργίας.



- Το προϊόν δεν πρέπει να υποστεί κανενός είδους παραβίαση ή τροποποίηση χωρίς την εξουσιοδότηση του κατασκευαστή (τροποποίηση, προσαρμογή, προσθήκη, επισκευή), καθώς οι εργασίες αυτές μπορούν να αποτελέσουν άμεσο κίνδυνο τραυματισμού ανθρώπων ή υλικής βλάβης. Σε αντίθετη περίπτωση, εκπίπτει κάθε ευθύνη για τη μη ορθή λειτουργία του προϊόντος ή για τυχόν βλάβες επί του προϊόντος. Επιπλέον, ακυρώνονται η σήμανση CE καθώς και η εγγύηση του προϊόντος.

- Κατά τη χρήση των βοηθημάτων, τοποθετήστε και ρυθμίστε τα με τέτοιο τρόπο ώστε να μην παρεμποδίζουν τις ενέργειες των επαγγελματιών υγείας ούτε τη χρήση ενδεχόμενων άλλων εξοπλισμών.



- Βεβαιωθείτε ότι έχετε λάβει όλα τα μέτρα πρόληψης έναντι κινδύνων που οφείλονται στην επαφή με αίμα ή σωματικές εκκρίσεις, κατά περίπτωση.

- Αποφύγετε τυχόν επαφή με αιχμηρά ή λειαντικά αντικείμενα.

- Θερμοκρασία χρήσης: από -5°C έως + 50°C

#### **Αποθήκευση**

- Το προϊόν δεν πρέπει να εκτίθεται ούτε να έρχεται σε επαφή με πηγές θερμότητας από καύση ούτε με εύφλεκτες ουσίες, αλλά πρέπει να φυλάσσεται σε στεγνό, δροσερό μέρος, μακριά από το φως και τον ήλιο.

- Μην αποθηκεύετε το προϊόν κάτω από άλλα προϊόντα μεγαλύτερου ή μικρότερου βάρους, που μπορούν να προκαλέσουν φθορές στο βοήθημα.

- Φυλάσσετε και μεταφέρετε το προϊόν στην αρχική του συσκευασία, σε αντίθετη περίπτωση ακυρώνεται η εγγύηση.

- Θερμοκρασία αποθήκευσης: από -10°C έως +60°C

#### **Κανονιστικές απαιτήσεις**

**Με την ιδιότητα του προμηθευτή ή τελικού χρήστη των προϊόντων που κατασκευάζει και/ή εμπορεύεται, η εταιρεία Spencer Italia S.r.l. οφείλει υποχρεωτικά να γνωρίζει τις νομοθετικές διατάξεις που ισχύουν στη χώρα προορισμού του εμπορεύματος, και οι οποίες εφαρμόζονται στα βοηθήματα που αποτελούν αντικείμενο της προμήθειας (στις οποίες περιλαμβάνεται και η νομοθεσία που διέπει τις τεχνικές προδιαγραφές και/ή τις απαιτήσεις ασφαλείας) και επομένως, οφείλει να γνωρίζει τα μέτρα που είναι απαραίτητα να ληφθούν προκειμένου να διασφαλιστεί η συμμόρφωση των προϊόντων αυτών με τις απαιτήσεις της τοπικής νομοθεσίας.**

- Ενημερώστε έγκαιρα και λεπτομερώς την εταιρεία Spencer Italia S.r.l. (ήδη στο στάδιο προσφοράς) σχετικά με ενδεχόμενες συμμορφώσεις που εμπíπτουν στην ευθύνη του κατασκευαστή και οι οποίες είναι απαραίτητες για τη συμμόρφωση του προϊόντος στις ειδικές απαιτήσεις της τοπικής νομοθεσίας (όπου συμπεριλαμβάνονται οι συμμορφώσεις που απορρέουν από άλλους κανονισμούς και/ή κανονιστικές διατάξεις).

- Ενεργείτε με τη δέουσα μέριμνα και σχολαστικότητα προκειμένου να συμβάλλετε στη διασφάλιση της συμμόρφωσης προς τις γενικές απαιτήσεις ασφαλείας των βοηθημάτων που κυκλοφορούν στην αγορά, παρέχοντας στους τελικούς χρήστες όλες τις πληροφορίες που είναι απαραίτητες για τη διενέργεια των δραστηριοτήτων περιοδικού επανελέγχου των παρεχόμενων βοηθημάτων, όπως ακριβώς επισημαίνεται στο εγχειρίδιο χρήσης.




- **Συμβάλλετε στον έλεγχο ασφαλείας του προϊόντος** που κυκλοφορεί στην αγορά, διαβιβάζοντας όλες τις πληροφορίες που αφορούν τους κινδύνους που ενέχει το προϊόν, στον κατασκευαστή καθώς και στις αρμόδιες αρχές προκειμένου να προβούν στις περαιτέρω ενέργειες που εμπíπτουν στην αρμοδιότητά τους.

- Με την επιφύλαξη των παραπάνω, ο προμηθευτής ή τελικός χρήστης, αναλαμβάνει εφεξής την ευρύτερη ευθύνη που απορρέει από τη μη συμμόρφωση με τα παραπάνω όπως εμπíπτουν στην αρμοδιότητά του καθώς και την παρεπόμενη υποχρέωση να απαλλάξει από ευθύνη και/ή να αποζημιώσει την εταιρεία Spencer Italia S.r.l. από οποιαδήποτε, ενδεχομένως, συναφή ζημιογόνα συνέπεια.

- Αναφορικά με τον Κανονισμό ΕΕ 2017/745, υπενθυμίζουμε ότι οι δημόσιοι και ιδιωτικοί επαγγελματίες υγείας που, κατά την άσκηση της εργασίας τους, αντιληφθούν κάποιο ατύχημα που αφορά ιατρικό προϊόν, οφείλουν να το γνωστοποιήσουν στο Υπουργείο Υγείας, εντός του χρονικού πλαισίου και σύμφωνα με τους τρόπους που θεσπίζουν ένα ή περισσότερα υπουργικά διατάγματα, καθώς και στον κατασκευαστή. Οι δημόσιοι ή ιδιωτικοί επαγγελματίες υγείας οφείλουν να γνωστοποιήσουν στον κατασκευαστή οποιοδήποτε άλλο ελάττωμα που επιτρέπει τη λήψη μέτρων με στόχο την προστασία και τη διασφάλιση της υγείας των ασθενών και των χρηστών.






### **Γενικές προειδοποιήσεις για τα ιατροτεχνολογικά βοηθήματα**

#### **Ο χρήστης πρέπει να διαβάσει προσεκτικά, πέραν από τις γενικές προειδοποιήσεις, και τις κάτωθι.**

- Δεν προβλέπεται για την τοποθέτηση του βοηθήματος να χρειαστεί περισσότερος χρόνος από τον απαραίτητο χρόνο παροχής των πρώτων βοηθειών και της επακόλουθης μεταφοράς μέχρι το πλησιέστερο τμήμα έκτακτων περιστατικών.
-  • Κατά τη χρήση του βοηθήματος, πρέπει να διασφαλίζεται η αρωγή εκ μέρους του ειδικευμένου προσωπικού και πρέπει να είναι παρόντες τουλάχιστον δύο επαγγελματίες υγείας.
-  • Μην χρησιμοποιείτε εάν το βοήθημα ή οποιοδήποτε μέρος του είναι τρύπιο, σκισμένο, ξεφτισμένο ή εμφανώς φθαρμένο.
- Ακολουθήστε τις διαδικασίες και τα εσωτερικά πρωτόκολλα που φέρουν την έγκριση του φορέα σας.
-  • Μην μεταβάλλετε ή τροποποιείτε αυθαίρετα το βοήθημα καθώς η τροποποίηση ενδέχεται να προκαλέσει απρόβλεπτη λειτουργία του βοηθήματος και βλάβη στον ασθενή ή στους διασώστες και οπωσδήποτε επιφέρει ακύρωση της εγγύησης και απαλλάσσει τον κατασκευαστή από οποιαδήποτε ευθύνη.
- Μην χρησιμοποιείτε στεγνωτήρια για να στεγνώσετε το βοήθημα.
- Σε περίπτωση εκτεθειμένου και/ή τραυματισμένου δέρματος, καλύψτε τις επιφάνειες που έρχονται σε επαφή με τον ασθενή με ένα χειρουργικό σεντόνι που τηρεί τους κανονισμούς βιοσυμβατότητας προκειμένου να διαφυλάξετε την υγεία του ασθενούς.

#### **6. ΕΙΔΙΚΕΣ ΠΡΟΕΙΔΟΠΟΙΗΣΕΙΣ**

Για τη χρήση των ζωνών ακινητοποίησης, είναι επίσης απαραίτητο να έχετε διαβάσει και κατανοήσει καθώς και να ακολουθείτε επακριβώς όλες τις οδηγίες που περιέχονται στο εγχειρίδιο χρήσης

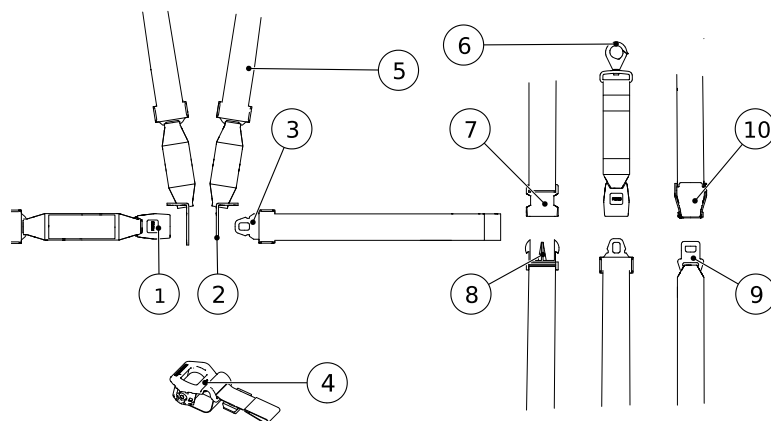
-  • Τηρείτε πάντοτε τις προδιαγραφές τοποθέτησης όπως προσδιορίζονται για το βοήθημα με το οποίο χρησιμοποιούνται οι ζώνες. Επιπλέον, ο επαγγελματίας υγείας οφείλει να αξιολογήσει εάν ο σωματότυπος του ασθενούς μειώνει τη λειτουργικότητα του προϊόντος.
- Τοποθετείτε πάντα τον αριθμό ιμάντων που προβλέπεται για το βοήθημα μεταφοράς που χρησιμοποιείτε.
-  • **Πραγματοποιήστε προσομοιώσεις διάσωσης με τις ζώνες τοποθετημένες στο προϊόν για το οποίο προορίζονται και με ένα φορτίο που προσομοιάζει τον ασθενή και εξαρτήματα, πριν να θέσετε σε λειτουργία το βοήθημα.**
- Καθορίστε ένα πρόγραμμα συντήρησης και περιοδικών ελέγχων, προσδιορίζοντας και τον υπεύθυνο αναφοράς. Το άτομο στο οποίο ανατίθεται η τακτική συντήρηση του βοηθήματος οφείλει να πληροί τις βασικές απαιτήσεις όπως προβλέπονται από τον κατασκευαστή στις παρούσες οδηγίες χρήσης.
- Όλες οι εργασίες συντήρησης πρέπει να καταγράφονται και να τεκμηριώνονται με τις αντίστοιχες αναφορές τεχνικών εργασιών, η τεκμηρίωση πρέπει να φυλάσσεται για χρονικό διάστημα τουλάχιστον 10 ετών μετά το τέλος της διάρκειας ζωής του βοηθήματος και πρέπει να τίθεται στη διάθεση των αρμόδιων Αρχών και/ή του κατασκευαστή, εφόσον ζητηθεί.
- Αποφύγετε τυχόν επαφή με αιχμηρά αντικείμενα.
- Ακολουθείτε τις διαδικασίες που φέρουν την έγκριση της ιατρικής υπηρεσίας επείγοντων περιστατικών για την ακινητοποίηση και τη μεταφορά του ασθενούς.
-  • Ακολουθείτε τις διαδικασίες που φέρουν την έγκριση της ιατρικής υπηρεσίας επείγοντων περιστατικών για την τοποθέτηση και τη μεταφορά του ασθενούς.
- Πριν από κάθε χρήση, ελέγχετε πάντα εάν το βοήθημα είναι σε άψογη κατάσταση καθώς και τα εξαρτήματά του, όπως διευκρινίζεται στο εγχειρίδιο χρήσης. Σε περίπτωση που διαπιστώσετε κάποια ανωμαλία ή φθορές που ενδέχεται να θέσουν σε κίνδυνο τη λειτουργικότητα και την ασφάλεια του βοηθήματος, και συνεπώς του ασθενούς και του επαγγελματία υγείας, είναι απαραίτητο να θέσετε το βοήθημα εκτός λειτουργίας.
-  • Μην μεταβάλλετε ή τροποποιείτε αυθαίρετα το βοήθημα για να το προσαρμόσετε σε μη προβλεπόμενες συνθήκες χρήσης: η τροποποίηση ενδέχεται να προκαλέσει απρόβλεπτη λειτουργία του βοηθήματος και βλάβη στον ασθενή ή στους διασώστες και οπωσδήποτε επιφέρει ακύρωση της εγγύησης και απαλλάσσει τον κατασκευαστή από οποιαδήποτε ευθύνη.
-  • Για να διασφαλίσετε τη διάρκεια ζωής του βοηθήματος, είναι απαραίτητο να το προστατεύετε όσο το δυνατόν περισσότερο από την υπεριώδη ακτινοβολία και από τις δυσμενείς καιρικές συνθήκες.
- Βεβαιωθείτε ότι οι πόρτες έχουν αγκυρωθεί καλά στον ιμάντα, ότι βρίσκονται σε άψογη κατάσταση και ότι λειτουργούν.

#### **7. ΕΝΑΠΟΜΕΙΝΑΣ ΚΙΝΔΥΝΟΣ**

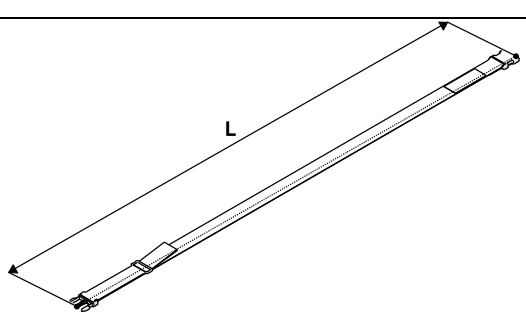
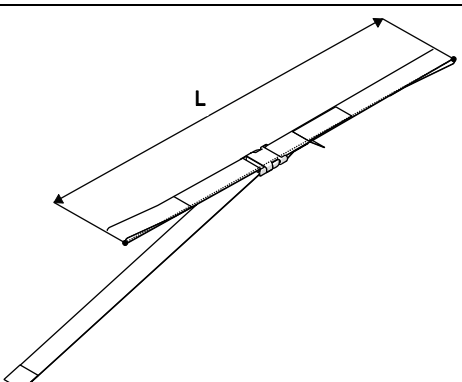
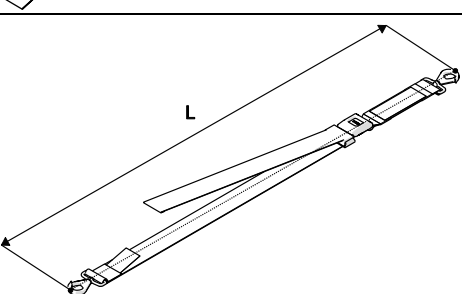
Δεν έχουν εξακριβωθεί εναπομείναντες κίνδυνοι, δηλαδή κίνδυνοι που ενδέχεται να προκληθούν παρά την τήρηση όλων των προειδοποιήσεων που αναγράφονται στο παρόν εγχειρίδιο χρήσης.

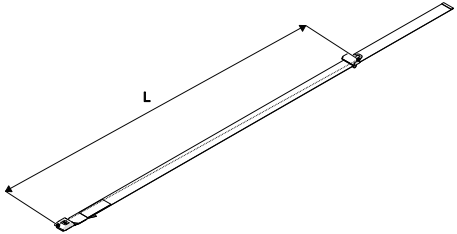
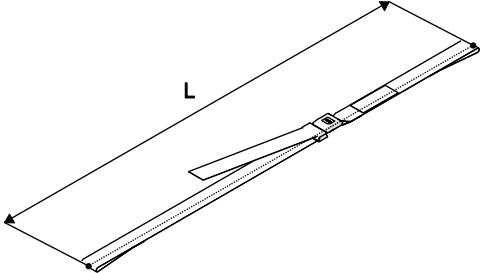
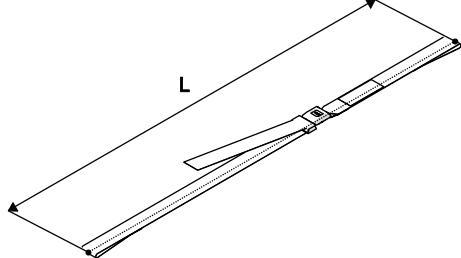
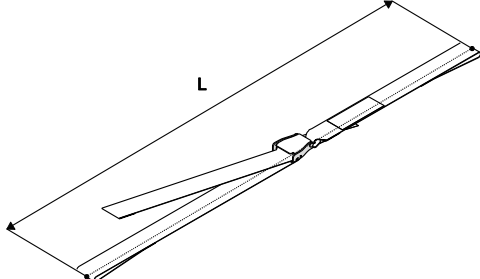
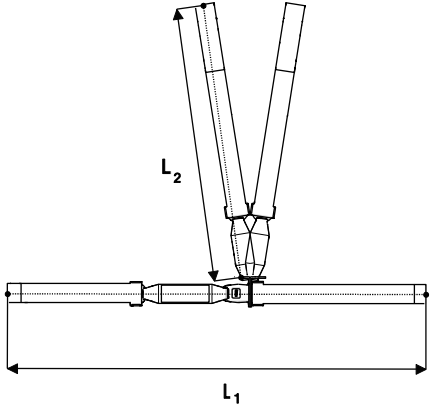
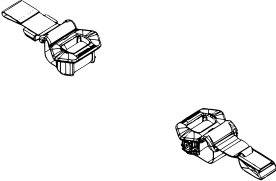
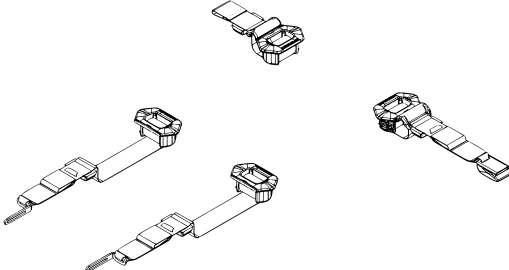
## 8. ΤΕΧΝΙΚΑ ΣΤΟΙΧΕΙΑ ΚΑΙ ΕΞΑΡΤΗΜΑΤΑ

Σημείωση: Η εταιρεία Spencer Italia S.r.l. επιφυλάσσει του δικαιώματος τροποποιήσεων των προδιαγραφών χωρίς προειδοποίηση.



Id	Περιγραφή	Id	Περιγραφή
1	Μεταλλικός σύνδεσμος θηλυκό	6	Άγκιστρο
2	Γάντζος θύρακα	7	Πλαστικός γάντζος θηλυκό
3	Μεταλλικός γάντζος αρσενικό	8	Πλαστικός γάντζος αρσενικό
4	Περιελκτική	9	Αλουμινένιος γάντζος αρσενικό
5	Ταινία ζώνης θύρακα	10	Αλουμινένιος γάντζος θηλυκό

ΕΞΑΡΤΗΜΑ ΖΩΝΗΣ		ΥΛΙΚΟ	
Μεταλλικός σύνδεσμος		Χρωμέ ατσάλι και πλαστικό	
Πλαστικός σύνδεσμος		Νάιλον	
Αλουμινένιος σύνδεσμος		Αλουμίνιο	
Ταινία		Νάιλον	
ΜΟΝΤΕΛΟ		Μ μέγ (χιλ)	Μ ελάχ (χιλ)
STX 597		1900	400
STX 598		1500	700
STX 494		1600	450

STX 591 STX 701		1850	350
STX 592		1600	600
STX 702 STX 526		1600	600
STX 580		1600	700
STX 499		<b>M<sub>1</sub> μέγ (χιλ)</b>	<b>M<sub>1</sub> ελάχ (χιλ)</b>
		1700	600
		<b>M<sub>2</sub> μέγ (χιλ)</b>	<b>M<sub>2</sub> ελάχ (χιλ)</b>
		1200	300
IMANTΑΣ DNA		<b>M μέγ ταινίας αρσενικό</b>	<b>M μέγ ταινίας θηλυκό</b>
		800	500
IMANTΑΣ DNA ΘΩΡΑΚΑ		<b>M μέγ ταινίας αρσενικό</b>	<b>M μέγ ταινίας θηλυκό</b>
		800	700
		<b>M μέγ ταινιών ώμων</b>	
		1100	

## 9. ΘΈΣΗ ΣΕ ΛΕΙΤΟΥΡΓΪΑ

Για την πρώτη χρήση, ελέγξτε:

- Εάν η συσκευασία είναι σε άψογη κατάσταση και ότι παρέχει προστασία στο βοήθημα κατά τη μεταφορά
- Εάν υπάρχουν όλα τα τεμάχια που αναγράφονται στον συνοδευτικό κατάλογο.
- Τη γενική λειτουργικότητα του βοηθήματος
- Τις συνθήκες καθαριότητας του προϊόντος
- Εάν υπάρχουν εγκοπές, οπές, σχισίματα ή γδαρσίματα σε όλη την κατασκευή
- Την κατάσταση φθοράς του βοηθήματος.
- Βεβαιωθείτε ότι οι πόρτες λειτουργούν σωστά
- Βεβαιωθείτε ότι τα άγκιστρα λειτουργούν σωστά, εάν διατίθενται με το μοντέλο
- Βεβαιωθείτε ότι ο περιελκτικός λειτουργεί σωστά, εάν διατίθεται με το μοντέλο

Συμβουλευθείτε στην ενότητα 11 τους τρόπους χρήσης για τη διενέργεια των παραπάνω ελέγχων.

Μην τροποποιείτε με κανέναν τρόπο το βοήθημα σε κανένα μέρος του καθώς ενδέχεται να επιφέρει βλάβες στον ασθενή και/ή στους διασώστες.



**Η μη τήρηση των παραπάνω μέτρων παρεμποδίζει την ασφάλεια του βοηθήματος, με τον επακόλουθο κίνδυνο πρόκλησης βλάβης στον ασθενή, στους επαγγελματίες υγείας και στο ίδιο το βοήθημα.**

**Για τις επόμενες χρήσεις, προβείτε στις ενέργειες που αναγράφονται στην ενότητα 12.**

Εάν τηρούνται οι παραπάνω προϋποθέσεις, το βοήθημα μπορεί να θεωρηθεί ότι είναι έτοιμο για χρήση. Σε αντίθετη περίπτωση, πρέπει απαραίτητα να θέσετε το βοήθημα εκτός λειτουργίας και να επικοινωνήσετε με τον κατασκευαστή.

Μην μεταβάλλετε ή τροποποιείτε αυθαίρετα το βοήθημα, η τροποποίηση ενδέχεται να προκαλέσει απρόβλεπτη λειτουργία του βοηθήματος και βλάβη στον ασθενή ή στους διασώστες. Επιπλέον, επιφέρει ακύρωση της εγγύησης και απαλλάσσει τον κατασκευαστή από οποιαδήποτε ευθύνη.

## 10. ΧΑΡΑΚΤΗΡΙΣΤΙΚΑ ΛΕΙΤΟΥΡΓΙΑΣ

Για τα χαρακτηριστικά λειτουργίας, ανατρέξτε στην ενότητα 11 - Τρόποι χρήσης

## 11. ΤΡΟΠΟΙ ΧΡΗΣΗΣ

Πριν την παρέμβαση επί του ασθενούς, πρέπει να πραγματοποιηθεί πρωτοβάθμια ιατρική αξιολόγηση.

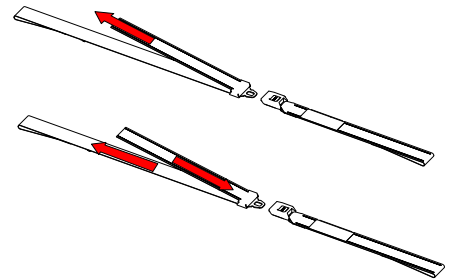
Πριν χρησιμοποιήσετε οποιοδήποτε είδος μίαντα που περιγράφεται στο παρόν εγχειρίδιο, διαβάστε προσεκτικά τις οδηγίες χρήσης του βοηθήματος για το οποίο προορίζεται.

### 11.1 Ρύθμιση του μήκους

Οι ζώνες ρυθμίζονται κατά μήκος ώστε να προσαρμόζονται αποτελεσματικά στον ασθενή για τον οποίο προορίζεται το βοήθημα που χρησιμοποιείται.

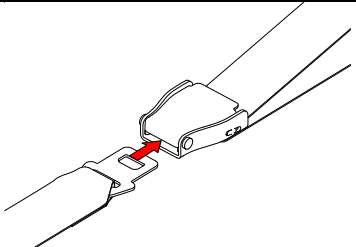
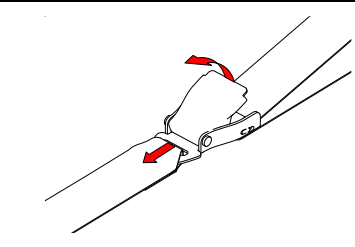
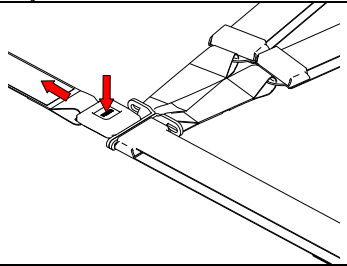
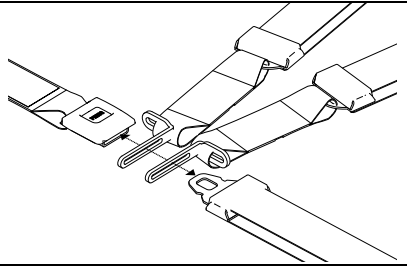
Για να σφίγγετε τη ζώνη, τραβήξτε την ελεύθερη άκρη της ζώνης σε αντίθετη κατεύθυνση από τον σύνδεσμο.

Για να χαλαρώσετε τη ζώνη, πατήστε την ελεύθερη άκρη προς το εσωτερικό του συνδέσμου και στη συνέχεια τραβήξτε την ταινία που βγαίνει από τον σύνδεσμο. Επαναλάβετε τη διαδικασία όσες φορές χρειαστεί για να επιτύχετε το μήκος που επιθυμείτε.



### 11.2 Αγκύρωση και απελευθέρωση της ζώνης

Είδος γάντζου	Αγκύρωση	Απελευθέρωση
Μεταλλικός		
Πλαστικός		

Αλουμινένιος		
Θώρακα		

### 11.3 Χρήση των μονών ζωνών

Οι μονές ζώνες ενδείκνυνται για χρήση με:

- Στρώματα κενού
- Φορεία τύπου κουτάλι

Για να εφαρμόσετε τις ζώνες, απλώστε τις στο πάτωμα, τοποθετήστε το βοήθημα με το οποίο θέλετε να τις χρησιμοποιήσετε πάνω από τις ζώνες, τοποθετήστε τον ασθενή σύμφωνα με τις οδηγίες του βοηθήματος που χρησιμοποιείτε και στη συνέχεια ρυθμίστε τις και κλείστε τις με τέτοιο τρόπο που να σταθεροποιήσετε τον ασθενή στο βοήθημα.

Βεβαιωθείτε ότι εκτελέσατε σωστά την εργασία και ότι ο ασθενής έχει σταθεροποιηθεί επαρκώς στο βοήθημα.

### 11.4 Χρήση των ζωνών 2 μερών

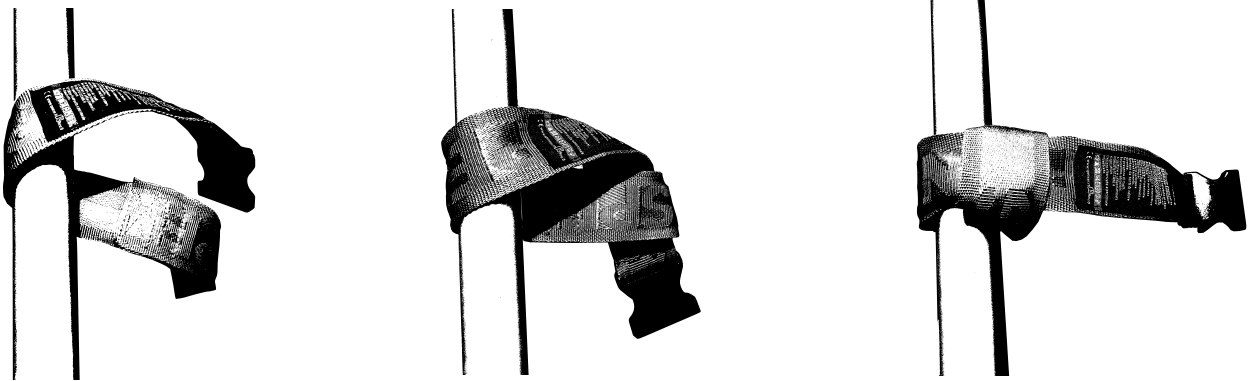
Οι ζώνες 2 μερών ενδείκνυνται για χρήση με:

- φορεία ασθενοφόρων
- φορεία μεταφοράς ασθενών
- σανίδες ακινητοποίησης
- φορεία τύπου κουτάλι
- στρώματα κενού με περιμετρικό σχοινί
- φορεία τύπου καλάθι
- καρέκλες μεταφοράς ασθενών
- αναβατόρια

Το είδος συνδέσμου επιλέγεται βάσει των προδιαγραφών χρήσης του βοηθήματος που χρησιμοποιείται.

Για να τοποθετήσετε τις ζώνες δύο μερών, εντοπίστε το σημείο του βοηθήματος όπου εφαρμόζουν σύμφωνα με τις οδηγίες χρήσης του βοηθήματος. Τυλίξτε το εν λόγω μέρος του πλαισίου και στη συνέχεια τοποθετήστε την σχηματίζοντας μια θηλιά με τη ζώνη.

Ρυθμίστε το μήκος της και κλείστε την με τέτοιο τρόπο που να σταθεροποιήσετε τον ασθενή στο βοήθημα.



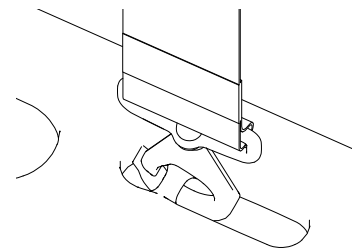
### 11.5 Χρήση των ζωνών με άγκιστρο

Οι ζώνες με άγκιστρο ενδείκνυνται για χρήση με:

- σανίδες ακινητοποίησης με περόνη
- στρώματα κενού με ειδικές οπές για την τοποθέτησή τους.

Για να τις τοποθετήσετε, εντοπίστε την περόνη ή την οπή όπου εφαρμόζει το άγκιστρο και στη συνέχεια πατήστε το κινητό μέρος του άγκιστρου προς την περόνη ή την οπή ώστε να εισχωρήσουν μέσα στο άγκιστρο.

Αφού βεβαιωθείτε ότι τοποθετήσατε σωστά τη ζώνη, ρυθμίστε το μήκος της και κλείστε την με τέτοιο τρόπο που να σταθεροποιήσετε τον ασθενή στο βοήθημα.

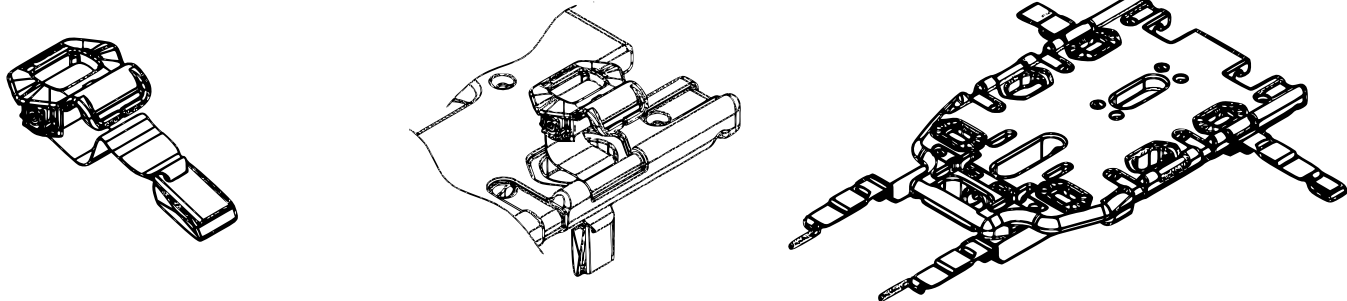


## 11.6 Εγκατάσταση ιμάντα DNA

Οι ζώνες DNA, ενδείκνυται για χρήση με φορέα που διαθέτουν επιφάνεια κατάκλισης με ειδικές υποδοχές.

Για να τις τοποθετήσετε, ακολουθήστε την παρακάτω διαδικασία:

- 1 – Απελευθερώστε την ταινία από τη θήκη στον περιελικτή.
- 2 – Περάστε το σύστημα DNA, ενώ παράλληλα κρατάτε τεντωμένη την ταινία, μέσα στην ειδική κοιλότητα στον σκελετό της επιφάνειας κατάκλισης. Το αρσενικό και το θηλυκό κούμπωμα της ταινίας πρέπει να βρίσκονται αντίστοιχα στην αριστερή και τη δεξιά πλευρά της επιφάνειας.
- 3 – Επανατοποθετήστε τις ζώνες στην υποδοχή του περιελικτή DNA για να ολοκληρώσετε την εγκατάσταση
- 4 – Ακολουθήστε την ανάλογη διαδικασία για τα συστήματα θώρακα



Αφού τοποθετήσετε τον ασθενή, σφίξτε τις ζώνες και βεβαιωθείτε ότι τις έχετε τοποθετήσει σωστά.



Οι ιμάντες DNA δεν διαθέτουν προεντατήρα. Συνεπώς είναι απαραίτητο να προβείτε στη χειροκίνητη ρύθμισή τους αφού τους κουμπώσετε, τεντώνοντας τους ιμάντες οδηγώντας τον περιελικτή έως το τέλος της διαδρομής του. Τυχόν εσφαλμένη ρύθμιση καθιστά το βοήθημα μη ασφαλές και μη αποτελεσματικό.

## 12. ΚΑΘΑΡΙΣΜΟΣ ΚΑΙ ΣΥΝΤΗΡΗΣΗ

Η εταιρεία Spencer Italia S.r.l. δεν φέρει καμία ευθύνη για οποιαδήποτε βλάβη, άμεση ή έμμεση, που οφείλεται σε ακατάλληλη χρήση του προϊόντος και των ανταλλακτικών και/ή σε κάθε περίπτωση σε οποιαδήποτε εργασία επισκευής που πραγματοποιήθηκε από οποιονδήποτε πέραν του κατασκευαστή, ο οποίος βασίζεται σε εσωτερικούς και εξωτερικούς συνεργάτες με τεχνική εξειδίκευση και ειδική εξουσιοδότηση. Επιπλέον, ακυρώνεται η εγγύηση.

- Κατά τις εργασίες ελέγχου, συντήρησης και εξυγίανσης ο επαγγελματίας υγείας οφείλει να κάνει χρήση των κατάλληλων μέσων ατομικής προστασίας, όπως γάντια, γυαλιά, κ.ο.κ.
- Καθορίστε ένα πρόγραμμα συντήρησης, περιοδικών ελέγχων και παράτασης της μέσης διάρκειας ζωής, εάν αυτό προβλέπεται από τον κατασκευαστή στο εγχειρίδιο χρήσης, προσδιορίζοντας έναν υπεύθυνο αναφοράς που πληροί τις βασικές απαιτήσεις όπως καθορίζονται στο εγχειρίδιο χρήσης.
- **Η συχνότητα διενέργειας ελέγχων ορίζεται από διάφορους παράγοντες όπως οι νομοθετικές διατάξεις, το είδος χρήσης, η συχνότητα χρήσης, οι κλιματικές συνθήκες χρήσης και αποθήκευσης.**
- Οι εργασίες επισκευής των προϊόντων που κατασκευάζει η εταιρεία Spencer Italia S.r.l. πρέπει υποχρεωτικά να εκτελούνται από τον κατασκευαστή, που βασίζεται σε εσωτερικούς ή εξωτερικούς συνεργάτες με τεχνική εξειδίκευση που χρησιμοποιούν γνήσια ανταλλακτικά και συνεπώς παρέχουν ποιοτικές υπηρεσίες επισκευής σε πλήρη συμμόρφωση με τις τεχνικές προδιαγραφές που ορίζει ο παραγωγός. Η εταιρεία Spencer Italia S.r.l. δεν φέρει καμία ευθύνη για οποιαδήποτε βλάβη, άμεση ή έμμεση, που οφείλεται σε ακατάλληλη χρήση των ανταλλακτικών και/ή σε κάθε περίπτωση σε οποιαδήποτε εργασία επισκευής που πραγματοποιήσαν μη εξουσιοδοτημένα άτομα.
- Η επανεπεξεργασία, μια διαδικασία που εκτελείται επί του βοηθήματος με σκοπό την αποκατάσταση της τεχνικής ασφάλειας και λειτουργικότητας του μεταχειρισμένου βοηθήματος, όπως για παράδειγμα η επαναταξινόμηση, πρέπει να διενεργείται από τον κατασκευαστή.
- Όλες οι εργασίες συντήρησης και επανελέγχου πρέπει να καταγράφονται και να τεκμηριώνονται με τις αντίστοιχες αναφορές τεχνικών εργασιών. Η τεκμηρίωση πρέπει να φυλάσσεται για χρονικό διάστημα τουλάχιστον 10 ετών μετά το τέλος της διάρκειας ζωής του προϊόντος και πρέπει να τίθεται στη διάθεση των αρμόδιων Αρχών και/ή του κατασκευαστή, εφόσον ζητηθεί.
- Οι εργασίες καθαρισμού, που προβλέπονται για τα επαναχρησιμοποιούμενα προϊόντα, πρέπει να πραγματοποιούνται σύμφωνα με τις οδηγίες που παρέχει ο κατασκευαστής στο εγχειρίδιο χρήσης, προκειμένου να αποφευχθεί ο κίνδυνος διασταυρούμενης μόλυνσης που οφείλεται στην παρουσία εκκρίσεων και/ή υπολειμμάτων.

### 12.1 ΚΑΘΑΡΙΣΜΟΣ

Η μη εκτέλεση των εργασιών καθαρισμού ενδέχεται να ενέχει τον κίνδυνο εμφάνισης διασταυρούμενης μόλυνσης που οφείλεται στην παρουσία εκκρίσεων και/ή υπολειμμάτων.

Κατά τη διενέργεια όλων των εργασιών ελέγχου και εξυγίανσης, ο επαγγελματίας υγείας οφείλει να κάνει χρήση των κατάλληλων μέσων ατομικής προστασίας, όπως γάντια, γυαλιά, κ.ο.κ.

Τυχόν μεταλλικά μέρη που είναι εκτεθειμένα σε εξωτερικούς παράγοντες υφίστανται επεξεργασία στην επιφάνεια και/ή εφαρμογή βερνικίου προκειμένου να επιτευχθεί καλύτερη ανθεκτικότητα. Καθαρίζετε τα εκτεθειμένα μέρη με χλιαρό νερό και ουδέτερο σαπούνι.

**Μην χρησιμοποιείτε ποτέ διαλυτικά ή καθαριστικά κηλίδων.**

Ξεπλύνετε επιμελώς με χλιαρό νερό και βεβαιωθείτε ότι έχετε απομακρύνει οποιοδήποτε ίχνος από σαπούνι καθώς ενδέχεται να επιφέρει φθορά ή να θέσει σε κίνδυνο την ακεραιότητα και τη διάρκεια ζωής. **Αποφύγετε την εκτόξευση νερού σε υψηλή πίεση,**



γιατί εισχωρεί στις συνδέσεις και υπάρχει κίνδυνος διάβρωσης των εξαρτημάτων. Αφήστε να στεγνώσει πλήρως πριν το αποθηκεύσετε. Το στέγνωμα μετά το πλύσιμο ή μετά τη χρήση σε περιβάλλον με υγρασία πρέπει να γίνει με φυσική διαδικασία και όχι μέσω εξαναγκασμένης κυκλοφορίας. Μην χρησιμοποιείτε φλόγες ή άλλες πηγές άμεσης θερμότητας.

Σε περίπτωση ενδεχόμενης **απολύμανσης** χρησιμοποιείτε προϊόντα που, πέραν της ταξινόμησής τους ως ιατροχειρουργικά προϊόντα, δεν έχουν διαλυτική ή διαβρωτική δράση στα υλικά σύνθεσης του βοηθήματος. Βεβαιωθείτε ότι έχετε λάβει όλα τα μέτρα προφύλαξης που ενδείκνυται για την διασφάλιση εξάλειψης οποιουδήποτε κινδύνου διασταυρούμενης μόλυνσης ή επιμόλυνσης ασθενών και επαγγελματιών υγείας.

Σε περίπτωση που χρησιμοποιείτε προϊόντα μιας χρήσης, δεν προβλέπεται η διενέργεια καθαρισμού εφόσον το προϊόν έχει αποθηκευτεί σωστά και έχει συσκευαστεί σύμφωνα με τις προδιαγραφές του κατασκευαστή.

## 12.2 ΤΑΚΤΙΚΗ ΣΥΝΤΗΡΗΣΗ

Είναι υποχρεωτικό να καθορίσετε ένα πρόγραμμα περιοδικών ελέγχων και να προσδιορίσετε έναν υπεύθυνο αναφοράς. Το άτομο στο οποίο ανατίθεται η συντήρηση του βοηθήματος οφείλει να πληροί τις βασικές απαιτήσεις όπως προβλέπονται από τον κατασκευαστή στο παρόν εγχειρίδιο χρήσης.

Όλες οι εργασίες συντήρησης πρέπει να καταγράφονται και να τεκμηριώνονται με τις αντίστοιχες αναφορές τεχνικών εργασιών. Η τεκμηρίωση αυτή πρέπει να φυλάσσεται τουλάχιστον για χρονικό διάστημα 10 ετών μετά το τέλος της διάρκειας ζωής του προϊόντος και πρέπει να τίθεται στη διάθεση των αρμόδιων Αρχών και/ή του κατασκευαστή, εφόσον ζητηθεί.

Κατά τις εργασίες ελέγχου, συντήρησης και εξυγίανσης ο επαγγελματίας υγείας οφείλει να κάνει χρήση των κατάλληλων μέσων ατομικής προστασίας, όπως γάντια, γυαλιά, κ.ο.κ.

Το βοήθημα δεν προϋποθέτει ένα πρόγραμμα τακτικής συντήρησης αλλά είναι απαραίτητο να διενεργείτε ελέγχους πριν και έπειτα από κάθε χρήση, προκειμένου να διαπιστώσετε:

- Τη γενική λειτουργικότητα του βοηθήματος
- Τις συνθήκες καθαριότητας του βοηθήματος (υπενθυμίζουμε ότι σε περίπτωση μη εκτέλεσης των εργασιών καθαρισμού, ελλοχεύει ο κίνδυνος διασταυρούμενης μόλυνσης)
- Την τήρηση των απαιτήσεων όπως προβλέπονται στο εγχειρίδιο χρήσης, στην ενότητα 5 Προειδοποιήσεις και στην ενότητα 6 Ειδικές προειδοποιήσεις.
- Την τήρηση των απαιτήσεων όπως προβλέπονται στο εγχειρίδιο χρήσης, στην ενότητα 11 Τρόποι χρήσης

Χρησιμοποιείτε μόνο εξαρτήματα/ανταλλακτικά γνήσια ή εγκεκριμένα από την εταιρεία Spencer Italia S.r.l., προκειμένου να διενεργείτε όλες τις εργασίες χωρίς να επιφέρετε μεταβολές, τροποποιήσεις στο βοήθημα. Σε αντίθετη περίπτωση, δεν φέρει καμία ευθύνη για τη μη ορθή λειτουργία ή για τυχόν βλάβες που προκλήθηκαν από το βοήθημα στον ασθενή ή στον επαγγελματία υγείας, καθιστώντας άκυρη την εγγύηση και τη συμμόρφωση προς τον Κανονισμό ΕΕ 2017/745.

## 12.3 ΠΕΡΙΟΔΙΚΟΣ ΕΠΑΝΕΛΕΓΧΟΣ

Δεν προβλέπεται η διενέργεια περιοδικού επανελέγχου για το βοήθημα.

## 12.4 ΕΚΤΑΚΤΗ ΣΥΝΤΗΡΗΣΗ

Δεν προβλέπεται έκτακτη συντήρηση για αυτού του είδους τα βοηθήματα.

## 12.5 ΔΙΑΡΚΕΙΑ ΖΩΗΣ

**Το βοήθημα, εφόσον χρησιμοποιείται όπως αναφέρεται στις παρακάτω οδηγίες, έχει διάρκεια ζωής 2 ετών από την ημερομηνία αγοράς.**

Η εταιρεία Spencer Italia S.r.l. δεν φέρει καμία ευθύνη για τη μη ορθή λειτουργία ή για τυχόν βλάβες που οφείλονται στη χρήση βοηθημάτων που έχουν ξεπεράσει τη μέγιστη επιτρεπόμενη διάρκεια ζωής.

## 13. ΠΙΝΑΚΑΣ ΔΙΑΧΕΙΡΙΣΗΣ ΒΛΑΒΩΝ

ΠΡΟΒΛΗΜΑ	ΑΙΤΙΑ	ΛΥΣΗ
Δεν αγκυρώνεται ο πλαστικός σύνδεσμος	Ο σύνδεσμος δεν έχει εισχωρήσει σωστά	Τοποθετήστε τον σύνδεσμο με προσοχή ώστε το θηλυκό με το αρσενικό κούμπωμα να είναι πλήρως ευθυγραμμισμένα και βεβαιωθείτε ότι κανένα από τα δύο δεν έχει αναποδογυρίσει
Δεν αγκυρώνεται ο μεταλλικός σύνδεσμος		
<b>Ο μεταλλικός σύνδεσμος δεν απελευθερώνεται</b>	<b>Φθαρμένα εσωτερικά μέρη</b>	Θέστε αμέσως εκτός λειτουργίας το βοήθημα και αντικαταστήστε το με ένα ανάλογο
Ο περιεκτικός των ζωνών DNA δεν λειτουργεί	Θραύση ή παραμόρφωση του εσωτερικού ελατηρίου	Θέστε αμέσως εκτός λειτουργίας το βοήθημα και αντικαταστήστε το με ένα ανάλογο

Σε περίπτωση που το πρόβλημα ή η βλάβη δεν αντιστοιχεί στα παραπάνω, επικοινωνήστε με το Τμήμα εξυπηρέτησης πελατών της εταιρείας Spencer Italia srl.

#### **14. ΕΞΑΡΤΗΜΑΤΑ**

---

Δεν υπάρχουν εξαρτήματα για αυτά τα βοηθήματα

#### **15. ΑΝΤΑΛΛΑΚΤΙΚΑ**

---

Δεν υπάρχουν ανταλλακτικά για αυτά τα βοηθήματα

#### **16. ΑΠΪΟΡΡΙΨΗ**

---

Εφόσον τα βοηθήματα, και τα εξαρτήματά τους, δεν μπορούν πλέον να χρησιμοποιηθούν, και εφόσον δεν έχουν μολυνθεί από συγκεκριμένες ουσίες, μπορούν να απορριφθούν όπως τα συνήθη αστικά στερεά απορρίμματα, διαφορετικά τηρήστε τη νομοθεσία που ισχύει περί διάθεσης.

# INDEX

---

<b>1. MODELE</b>	<b>92</b>
<b>2. DOMENIUL DE UTILIZARE</b>	<b>92</b>
2.1    domeniul de utilizare și beneficiile clinice	92
2.2    PACIENȚII destinatari	92
2.3    Criterii de selectare a pacienților	92
2.4    Contraindicații și efecte secundare nedorite	92
2.5    Utilizatori și instalatori	92
2.5.1    Formarea utilizatorilor	92
2.5.2    Formarea instalatorului	92
<b>3. STANDARD DE REFERINȚĂ</b>	<b>92</b>
<b>4. INTRODUCERE</b>	<b>93</b>
4.1    Utilizarea manualului	93
4.2    Etichetarea și controlul trasabilității dispozitivului	93
4.3    SIMBOLURI	93
4.4    Garanție și asistență	93
<b>5. AVERTISMENTE/PERICOLE</b>	<b>94</b>
<b>6. AVERTISMENTE SPECIFICE</b>	<b>95</b>
<b>7. RISC REZIDUAL</b>	<b>95</b>
<b>8. DATE TEHNICE ȘI COMPONENTE</b>	<b>95</b>
<b>9. UTILIZAREA</b>	<b>97</b>
<b>10. CARACTERISTICI FUNCȚIONALE</b>	<b>98</b>
<b>11. MOD DE UTILIZARE</b>	<b>98</b>
11.1    Reglarea lungimii	98
11.2    Cuplarea și decuplarea centurii	98
11.3    Utilizarea centurilor dintr-o piesă	98
11.4    Utilizarea centurilor din două piese	99
11.5    Utilizarea centurilor cu carabină	99
11.6    Instalarea DNA strap	99
99	
<b>12. CURĂȚAREA ȘI ÎNTREȚINEREA</b>	<b>100</b>
12.1    Curățarea	100
12.2    Întreținerea OBIȘNUITĂ	100
12.3    Revizia periodică	101
12.4    Întreținerea SPECIALĂ	101
12.5    Durata de viață	101
<b>13. TABEL DE GESTIONARE A DEFECȚIUNILOR</b>	<b>101</b>
<b>14. ACCESORII</b>	<b>101</b>
<b>15. PIESE DE SCHIMB</b>	<b>101</b>
<b>16. ELIMINAREA</b>	<b>101</b>

#### avertisment

informațiile din prezentul document sunt supuse modificării fără notificare prealabilă și sunt considerate proprietatea spencer italia S.r.l. cu dreptul de a aduce modificări. produsele spencer sunt exportate în multe țări în care nu se aplică întotdeauna reglementări identice. din acest motiv, pot exista diferențe între cele descrise în prezentul manual și produsele livrate. spencer lucrează constant la perfecționarea tuturor tipurilor și modelelor de produse vândute. prin urmare, contăm pe înțelegerea dvs. și ne rezervăm dreptul de a aduce modificări furniturii în orice moment în ceea ce privește forma, echipamentul, organizarea și tehnica raportat la cele convenite în prezentul manual.

© copyright spencer italia s.r.l.

Toate drepturile rezervate. nicio parte a acestui document nu poate fi fotocopiată, reprodușă sau tradusă în altă limbă fără consimțământul prealabil scris al spencer italia s.r.l.

## 1. MODELE

Modelele de bază prezentate în continuare pot fi supuse îmbunătățirilor sau modificărilor fără notificare prealabilă.

MODEL	TIP CENTURĂ	CÂRLIG
STX 597	1 PIEȘĂ	PLASTIC
STX 598	2 PIESE	PLASTIC
STX 591	1 PIEȘĂ	METAL
STX 494	2 PIESE	CARABINĂ
STX 592	2 PIESE	METAL
STX 526	2 PIESE	METAL
STX 701	1 PIEȘĂ	METAL
STX 702	2 PIESE	METAL
STX 580	2 PIESE	ALUMINIU
STX 499	4 PIESE PENTRU TORACE	METAL
CUREA DNA	2 PIESE CU DISPOZITIV DE ÎNFĂȘURARE	METAL
CUREA DNA PENTRU TORACE	4 PIESE CU DISPOZITIV DE ÎNFĂȘURARE	METAL

## 2. DOMENIUL DE UTILIZARE

### 2.1 DOMENIUL DE UTILIZARE ȘI BENEFICIILE CLINICE

Centurile de imobilizare sunt mijloace pentru fixarea adecvată a pacientului care să permită transportul acestuia în condiții de siguranță dacă sunt folosite conform instrucțiunilor produsului utilizat.

### 2.2 PACIENȚII DESTINATARI

Nu sunt prezente indicații speciale privind grupul de pacienți.

Eventualele limitări de utilizare pot avea legătură cu dispozitivul împreună cu care este folosită centura. În acest sens, vă rugăm să consultați manual de utilizare al dispozitivului de transport folosit.

### 2.3 CRITERII DE SELECTARE A PACIENȚILOR

Criteriile de selectare a pacienților asistați sunt cele aplicabile pentru dispozitivul cu care va fi utilizată centura.

### 2.4 CONTRAINDICAȚII ȘI EFECSE SECUNDARE NEDORITE

Nu se cunosc contraindicații speciale sau efecte secundare ca urmare a utilizării dispozitivului conform indicațiilor manualului de utilizare.

### 2.5 UTILIZATORI ȘI INSTALATORI

Utilizatorii propuși sunt responsabilii cu acordarea primului ajutor, experții în manevrarea, imobilizarea și transportul pacientului.

Dispozitivele nu sunt destinate utilizatorilor neexperimentați

Centurile pentru imobilizare sunt un dispozitiv destinat exclusiv utilizării profesionale. Nu permiteți persoanelor neinstruite să ajute în timpul utilizării produsului deoarece pot cauza vătămarea corporală proprie sau a celorlalți.

În ciuda tuturor eforturilor, testele de laborator, instrucțiunile de utilizare, normele nu reușesc să reproducă întotdeauna practica, motiv pentru care rezultatele obținute în condiții reale de utilizare a produsului în mediul natural pot diferi adesea în mod semnificativ. Cele mai bune instrucțiuni sunt practica continuă de utilizare sub supravegherea personalului competent și instruit

Operatorii care utilizează echipamentul trebuie să dispună de capacitatea fizică de a utiliza dispozitivul și de o bună coordonare musculară. Capacitățile operatorilor trebuie evaluate înainte de stabilirea atribuțiilor acestora în ceea ce privește utilizarea dispozitivului.

**Operatorii trebuie să fie capabili să ofere pacientului asistența necesară.**

#### 2.5.1 FORMAREA UTILIZATORILOR

- Indiferent de nivelul de experiență dobândit în trecut cu dispozitive similare, este necesară citirea cu atenție și înțelegerea conținutului prezentului manual înainte de instalarea și utilizarea produsului sau de orice altă operațiune de întreținere. Dacă aveți nelămuriri, adresați-vă Spencer Italia S.r.l. pentru a obține informațiile necesare.
- Produsul trebuie utilizat doar de personal instruit să folosească acest produs și nu altele similare.
- Eligibilitatea utilizatorilor pentru folosirea produsului poate fi atestată prin înregistrarea instruirii, în care sunt specificate persoanele instruite, instructorii, data și locul. **Această documentație trebuie păstrată cel puțin 10 ani după încheierea duratei de viață a produsului și trebuie pusă la dispoziția autorităților competente și/sau producătorului, dacă se solicită acest lucru. În lipsa acesteia, organele competente vor aplica eventualele sancțiuni prevăzute.**
- Nu permiteți persoanelor neinstruite să ajute în timpul utilizării produsului deoarece pot cauza vătămarea corporală proprie sau a celorlalți.

**Observație: Spencer Italia S.r.l. vă stă mereu la dispoziție pentru efectuarea cursurilor de formare.**

#### 2.5.2 FORMAREA INSTALATORULUI

Instalatorul centurilor DNA trebuie să poată înțelege conținutul prezentului manual și trebuie să garanteze că instalarea unui astfel de dispozitiv a fost efectuată conform bunelor practici și indicațiilor de la par. 11.6.

Pentru celelalte dispozitive descrise în prezentul manual nu este prevăzută instalarea

## 3. STANDARD DE REFERINȚĂ

În calitate de distribuitor sau utilizator final al produselor Spencer Italia S.r.l., trebuie să cunoașteți prevederile legislației în vigoare în țara de destinație a mărfii, aplicabile dispozitivelor care fac obiectul furniturii (inclusiv normele privind specificațiile tehnice și/sau cerințele de siguranță) și, de asemenea, trebuie să cunoașteți toate măsurile care trebuie luate pentru a asigura conformitatea produselor cu cerințele impuse de legislația locală.

REFERINȚĂ	TITLUL DOCUMENTULUI
Regulamentul UE 2017/745	Regulamentul UE referitor la dispozitivele medicale

#### 4. INTRODUCERE

##### 4.1 UTILIZAREA MANUALULUI

Prezentul manual are scopul de a furniza operatorului sanitar informațiile necesare pentru utilizarea în siguranță și adecvată, precum și pentru întreținerea dispozitivului.

*Notă: manualul este parte integrantă a dispozitivului, prin urmare, trebuie păstrat pe întreaga durată de viață a dispozitivului și va trebui să îl însoțească în cazul eventualelor modificări de destinație sau proprietar. Dacă sunt prezente instrucțiunile de utilizare aferente unui alt produs, diferit de cel permis, trebuie să contactați imediat producătorul înainte de utilizare.*

Manualele de utilizare ale produselor Spencer pot fi descărcate de pe site-ul <http://support.spencer.it> sau contactați producătorul. Fac excepție articolele al căror caracter esențial și utilizare rezonabilă și previzibilă nu fac necesară elaborarea de instrucțiuni, în plus față de următoarele avertismente și indicații de pe etichetă.

Indiferent de nivelul de experiență dobândit în trecut cu dispozitive similare, se recomandă citirea cu atenție a prezentului manual înainte de instalarea și utilizarea produsului sau de orice altă operațiune de întreținere.

##### 4.2 ETICHETAREA ȘI CONTROLUL TRASABILITĂȚII DISPOZITIVULUI










Fiecare dispozitiv este dotat cu o etichetă, aflată pe dispozitivul în sine și/sau pe ambalaj, în care sunt prezente datele de identificare ale producătorului, produsului, marcajul CE, numărul de înregistrare (SN) sau lotul (LOT). Aceasta nu trebuie să fie îndepărtată sau acoperită.

În caz de deteriorare sau îndepărtare, solicitați duplicatul de la producător; în caz contrar, garanția este anulată deoarece dispozitivul nu va putea fi identificat.

**Dacă nu se reușește identificarea lotului/numărului de înregistrare alocat, este necesară recondiționarea dispozitivului, prevăzută doar pe răspunderea producătorului.**

Regulamentul UE 2017/754 impune producătorilor și distribuitorilor de dispozitive medicale să țină evidența locației acestora. Dacă dispozitivul se află într-o locație diferită de cea în care a fost expedit sau a fost vândut, donat, pierdut, furat, exportat sau distrus, scos permanent din uz sau dacă dispozitivul nu a fost livrat direct de Spencer Italia S.r.l., înregistrați dispozitivul la adresa <http://service.spencer.it>, sau informați asistența clienți (cfr. § 4.4).

##### 4.3 SIMBOLURI

Simbol	Semnificație
	Dispozitiv conform cu Regulamentul UE 2017/745
	Dispozitiv medical
	Producător
	Data de fabricație
	Pericol - indică o situație de pericol care poate conduce la leziuni grave sau letale
	Consultați manualul de utilizare
	Număr lot
	Codul produsului
	Unique Device Identifier

##### 4.4 GARANȚIE ȘI ASISTENȚĂ

Spencer Italia S.r.l. garantează că produsele nu prezintă defecte pentru o perioadă de **un an de la data achiziției**.

Pentru informații privind interpretarea corectă a instrucțiunilor, utilizarea, întreținerea, instalarea sau eliminarea dispozitivului, contactați asistența clienți Spencer la tel. +39 0521 541154, fax +39 0521 541222, e-mail [service@spencer.it](mailto:service@spencer.it).

Pentru a facilita operațiunile de asistență, indicați întotdeauna numărul de lot (LOT) sau numărul de înregistrare (SN) de pe eticheta aplicată pe ambalaj sau dispozitivul în sine.

**Condițiile de garanție și asistență sunt disponibile pe site-ul <http://support.spencer.it>.**

*Observație:*

*Notați și păstrați aceste instrucțiuni: număr lot (LOT) sau număr de înregistrare (SN) dacă există, locul și data achiziției, data primei utilizări, data verificărilor, numele utilizatorilor și comentarii.*

## 5. AVERTISMENTE/PERICOLE



**Avertismentele, pericolele, observațiile și alte informații importante și siguranță sunt indicate în această secțiune și sunt clar vizibile în întreg manualul.**

Cel puțin la fiecare 6 luni, verificați dacă există instrucțiuni actualizate și eventualele modificări care vizează propriul produs. Aceste informații pot fi consultate pe site-ul [www.spencer.it](http://www.spencer.it) în pagina dedicată produsului.

### Utilizarea produsului



**Este interzisă folosirea produsului în alt mod decât cel descris în manualul de utilizare.**

- Înainte de orice utilizare, verificați întotdeauna integritatea produsului, astfel cum este specificat în manualul de utilizare, iar în caz de anomalii/daune care pot afecta funcționarea/siguranța acestuia, scoateți-l imediat din uz și contactați producătorul.
- Dacă se constată funcționarea defectuoasă a produsului, utilizați imediat un dispozitiv similar pentru a garanta continuitatea operațiunilor în curs. Dispozitivul neconform trebuie scos din uz.
- Produsul nu trebuie supus niciunei modificări fără autorizația producătorului (modificare, retușare, adaos, reparație) deoarece pot apărea pericole iminente de vătămare a persoanelor, precum și daune materiale. În caz contrar, compania își declină orice răspundere privind funcționarea incorectă sau eventualele daune provocate de produsul în sine; în plus marcajul CE și garanția produsului devin nule.
- În timpul folosirii dispozitivelor, poziționați-le și reglați-le astfel încât să nu blocheze operațiunile operatorilor și utilizarea eventualelor altor echipamente.
- Asigurați-vă că ați luat toate măsurile de precauție pentru a evita pericolul ca urmare a contactului cu sângele sau secrețiile corporale, dacă este cazul.
- Evitați contactul cu alte obiecte ascuțite sau abrazive.
- Temperatura de utilizare: între -5°C și + 50°C

### Depozitare

- Produsul nu trebuie să fie expus și nici să intre în contact cu surse termice de combustie și agenți inflamabili, ci depozitat într-un loc uscat, răcoros, ferit de lumină și de razele soarelui.
- Nu depozitați produsul sub alte materiale mai mult sau mai puțin grele, care pot deteriora dispozitivul.
- Depozitați și transportați produsul în ambalajul inițial, în caz contrar, garanția este anulată.
- Temperatura de depozitare: între -10°C și +60°C

### Cerințe normative

**În calitate de distribuitor sau utilizator final al produselor Spencer Italia S.r.l., trebuie să cunoașteți prevederile legislației în vigoare în țara de destinație a mărfii, aplicabile dispozitivelor care fac obiectul furniturii (inclusiv normele privind specificațiile tehnice și/sau cerințele de siguranță) și, de asemenea, trebuie să cunoașteți toate măsurile care trebuie luate pentru a asigura conformitatea produselor cu cerințele impuse de legislația locală.**

- Informați imediat și detaliat Spencer Italia S.r.l. (încă din faza de solicitare a devizului) despre eventualele măsuri pe care producătorul trebuie să le ia pentru a asigura conformitatea produselor cu cerințele legislației locale (inclusiv cele derivate din regulamente și/sau dispoziții normative de altă natură).
- Procedați cu atenție și diligență pentru a garanta conformitatea cu cerințele generale de siguranță a dispozitivelor introduse pe piață, furnizând utilizatorilor finali toate informațiile necesare pentru desfășurarea activității de revizie periodică a dispozitivelor din dotare, astfel cum este indicat în manualul de utilizare.
- **Participați la controlul de siguranță al produsului** introdus pe piață, transmitând producătorului și autorităților competente informațiile privind riscurile legate de produs, în vederea luării măsurilor adecvate.
- Fără a aduce atingere celor susmenționate, distribuitorul sau utilizatorul final își asumă, începând din acest moment, orice răspundere privind nerespectarea obligațiilor indicate mai sus exonerând și/sau despăgubind Spencer Italia S.r.l. pentru orice eventual prejudiciu.
- Referitor la Regulamentul UE 2017/745, vă reamintim că operatorii publici sau privați care în momentul desfășurării activității identifică un incident ce vizează un produs medical, au obligația să informeze Ministerul Sănătății conform termenelor și modalităților stabilite prin intermediul decretelor ministeriale, precum și producătorul. Operatorii sanitari publici sau privați au obligația de a comunica producătorului orice altă problemă care poate conduce la adoptarea unor măsuri menite să garanteze protecția și sănătatea pacienților și a utilizatorilor.

### Avertismente generale privind dispozitivele medicale

**Utilizatorul trebuie să citească cu atenție, pe lângă avertismentele generale, și cele indicate în continuare.**



- Utilizarea dispozitivului nu trebuie să depășească timpul necesar operațiunilor de acordare a primului ajutor și etapelor ulterioare de transport până la punctul cel mai apropiat de acordare a primului ajutor.
- În timpul utilizării dispozitivului, trebuie garantată asistența personalului calificat și trebuie să fie prezenți cel puțin doi operatori.
- Nu utilizați dacă dispozitivul sau părțile acestuia sunt perforate, rupte, desfăcute sau uzate excesiv.

- Urmați procedurile și protocoalele interne aprobate de organizația proprie.

- ⚠️ • Nu modificați arbitrar dispozitivul deoarece acest lucru poate cauza funcționarea imprevizibilă și vătămarea pacientului sau a persoanelor care acordă primul ajutor, precum și anularea garanției, iar producătorul este exonerat de orice răspundere
- Nu folosiți mașini de uscare pentru uscarea dispozitivului.
- În cazul pielii expuse și/sau vătămata, acoperiți suprafețele în contact cu pacientul folosind un cearșaf chirurgical care să respecte reglementările de biocompatibilitate pentru protecția sănătății pacientului.

## 6. AVERTISMENTE SPECIFICE

În vederea utilizării centurilor pentru imobilizare, este necesară citirea, înțelegerea și respectarea îndeaproape a tuturor indicațiilor din manualul de utilizare

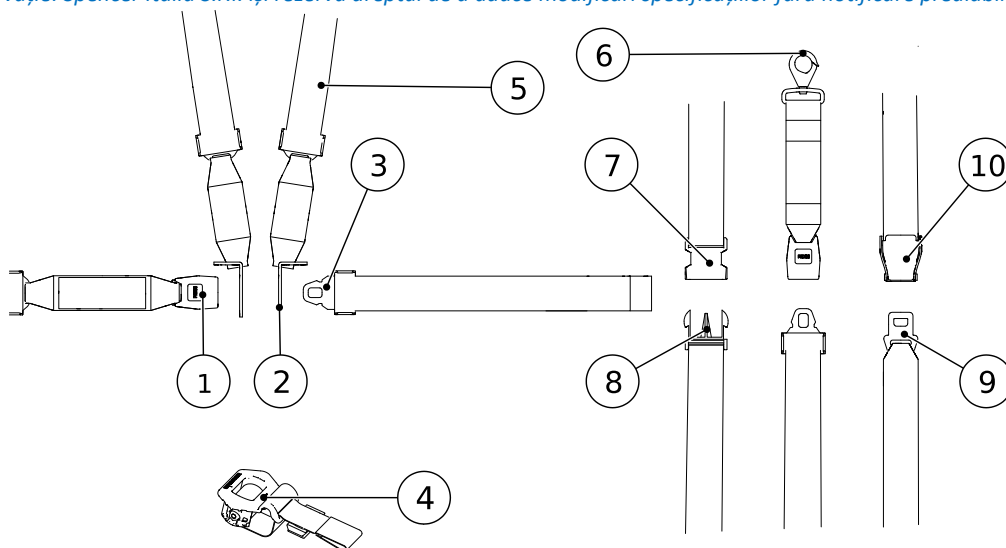
- ⚠️ • Respectați întotdeauna specificațiile de poziționare impuse de dispozitivul cu care sunt utilizate centurile. În plus, operatorul trebuie să se asigure că gabaritul pacientului nu reduce funcționalitatea produsului.
- Utilizați întotdeauna numărul de centuri prevăzut de dispozitivul de transport în uz.
- ⚠️ • **Efectuați simulări de acordare a primului ajutor cu centurile aplicate pe produsul prevăzut a fi utilizat și o sarcină care să simuleze greutatea pacientului și a accesoriilor, înainte de darea dispozitivului în folosință.**
- Stabiliți un program de întreținere și verificări periodice, identificând un responsabil de referință. Persoana desemnată să efectueze operațiunile de întreținere obișnuită a dispozitivului trebuie să garanteze respectarea cerințelor de bază prevăzute de producător în prezentele instrucțiuni de utilizare.
- Toate activitățile de întreținere trebuie înregistrate și documentate folosind rapoartele de intervenție tehnică; documentația va fi păstrată timp de cel puțin 10 ani de la încheierea duratei de viață a dispozitivului și pusă la dispoziția autorităților competente și/sau producătorului la cerere.
- Evitați contactul cu obiectele ascuțite.
- Respectați procedurile aprobate de serviciul medical de urgență privind imobilizarea și transportul pacientului.
- Respectați procedurile aprobate de serviciul medical de urgență privind poziționarea și transportul pacientului.
- ⚠️ • Înainte de orice utilizare, verificați întotdeauna integritatea dispozitivului și a componentelor sale, conform indicațiilor din manualul de utilizare. În caz de anomalii sau daune care pot afecta funcționarea și siguranța dispozitivului, și prin urmare a pacientului și operatorului, este necesară scoaterea din uz a dispozitivului.
- ⚠️ • Nu modificați arbitrar dispozitivul pentru a-l adapta la condiții de utilizare neprevăzute deoarece acest lucru poate cauza funcționarea imprevizibilă și vătămarea pacientului sau a persoanelor care acordă primul ajutor, precum și anularea garanției, iar producătorul este exonerat de orice răspundere.
- ⚠️ • Pentru a prelungi durata de viață a dispozitivului, este necesară protecția acestuia de razele UV și condițiile meteo nefavorabile.
- ⚠️ • Cataramele trebuie să fie complete și funcționale, precum și fixate adecvat de bandă.

## 7. RISC REZIDUAL

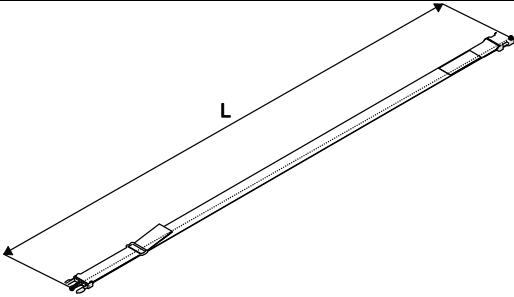
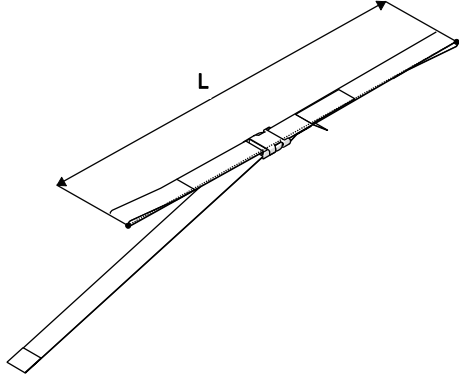
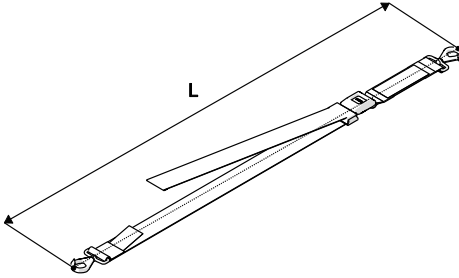
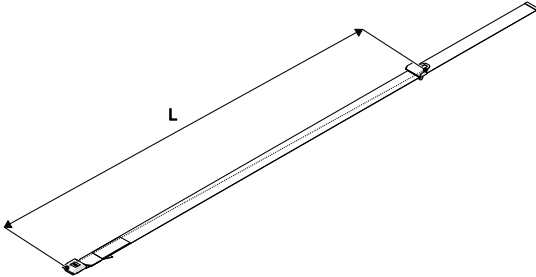
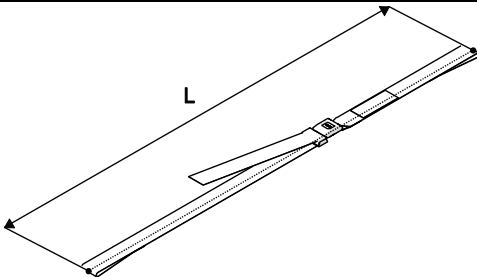
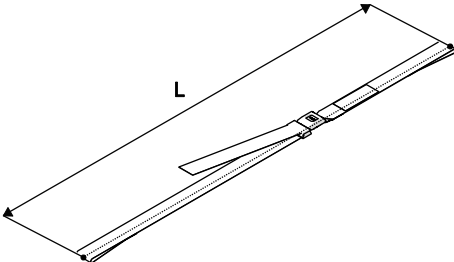
Nu au fost identificate riscuri reziduale sau care pot apărea în ciuda respectării tuturor avertismentelor din prezentul manual.

## 8. DATE TEHNICE ȘI COMPONENTE

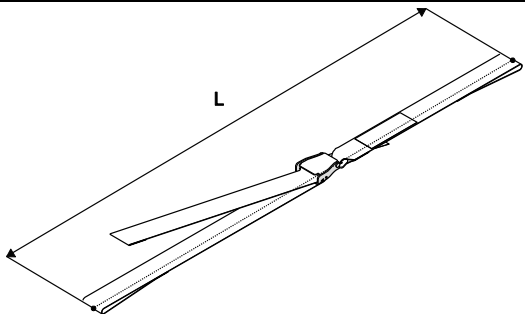
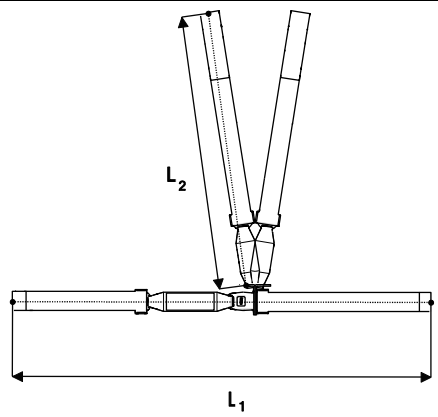
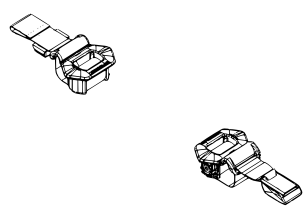
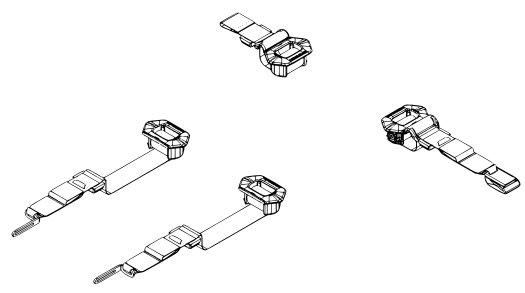
*Observație: Spencer Italia S.r.l. își rezervă dreptul de a aduce modificări specificațiilor fără notificare prealabilă.*



Id	Descriere	Id	Descriere
1	Cataramă metalică mamă	6	Carabină
2	Cârlig pentru zona toracelui	7	Cârlig din plastic mamă
3	Cârlig metalic tată	8	Cârlig din plastic tată
4	Dispozitiv de înfășurat	9	Cârlig din aluminiu tată
5	Bandă centură toracică	10	Cârlig din aluminiu mamă

COMPONENTĂ CENTURĂ		MATERIAL	
Cataramă metalică		Oțel cromat și plastic	
Cataramă din plastic		Nylon	
Cataramă din aluminiu		Aluminiu	
Bandă		Nylon	
MODEL		L max (mm)	L min (mm)
STX 597		1900	400
STX 598		1500	700
STX 494		1600	450
STX 591 STX 701		1850	350
STX 592		1600	600
STX 702 STX 526		1600	600



STX 580		1600	700
STX 499		<b>L<sub>1</sub> max (mm)</b>	<b>L<sub>1</sub> min (mm)</b>
		1700	600
CUREA DNA		<b>L max bandă tată</b>	<b>L max bandă mamă</b>
		800	500
CUREA DNA PENTRU TORACE		<b>L max bandă tată</b>	<b>L max bandă mamă</b>
		800	700
		<b>L max benzi spate</b>	
		1100	

## 9. UTILIZAREA

Pentru prima utilizare, verificați dacă:

- Ambalajul este intact și a protejat dispozitivul în timpul transportului
- Verificați dacă sunt prezente toate piesele incluse în lista de însoțire a mărfii.
- Funcționarea generală a dispozitivului
- Nivelul de curățenie a produsului
- Lipsa tăieturilor, orificiilor, rupturilor pe întreaga structură
- Starea de uzură a dispozitivului.
- Verificați funcționarea corectă a cataramelor
- Verificați funcționarea corectă a carabinelor dacă sunt prezente pe model
- Verificați funcționarea corectă a dispozitivului de înfășurat dacă sunt prezent pe model

Verificați la paragraful 11 modalitățile de utilizare pentru desfășurarea verificărilor susmenționate.

Nu modificați din niciun motiv componentele dispozitivului deoarece acest lucru poate cauza vătămarea pacientului și/sau a persoanelor care acordă primul ajutor.



**Nerespectarea măsurilor susmenționate afectează utilizarea în siguranță a dispozitivului, fapt care poate conduce la vătămarea pacientului, a operatorilor și la deteriorarea dispozitivului.**

**Pentru utilizările ulterioare, efectuați operațiunile specificate la paragraful 12.**

Dacă condițiile indicate sunt respectate, dispozitivul poate fi considerat pregătit de a fi utilizat; în caz contrar, este necesară scoaterea imediată a dispozitivului și uz și contactarea producătorului.

Nu modificați arbitrar dispozitivul deoarece acest lucru poate cauza funcționarea imprevizibilă și vătămarea pacientului sau a persoanelor care acordă primul ajutor, precum și anularea garanției, iar producătorul este exonerat de orice răspundere.

## 10. CARACTERISTICI FUNCȚIONALE

Pentru caracteristicile de funcționare, consultați paragraful 11 - Modalități de utilizare

## 11. MOD DE UTILIZARE

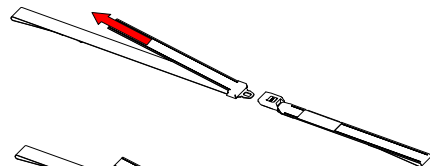
Înainte de a interveni asupra pacientului, trebuie efectuate o evaluare medicală primară.

Înainte de a utiliza orice tip de centură descrisă în prezentul manual, citiți cu atenție instrucțiunile de utilizare a dispozitivului împreună cu care va fi folosită.

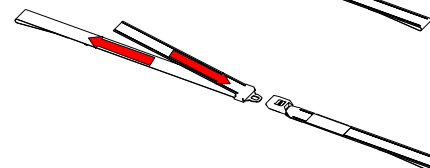
### 11.1 Reglarea lungimii

Centurile pot fi reglate pe lungime pentru a se adapta eficient la pacient având în vedere dispozitivul utilizat.

Pentru a strânge centura, trageți capătul liber al acesteia în direcția opusă cataramei



Pentru a alungi centura, apăsați capătul liber spre interiorul cataramei, apoi trageți banda la ieșirea din cataramă. Repetați operațiunea de mai multe ori până obțineți lungimea dorită.



### 11.2 Cuplarea și decuplarea centurii

Tipul de cârlig	Cuplare	Decuplare
Metal		
Plastic		
Aluminiu		
Torace		

### 11.3 Utilizarea centurilor dintr-o piesă

Centurile dintr-o piesă sunt indicate pentru utilizarea împreună cu:

- saltelele cu vacuum
- târgile tip lopată

Pentru aplicarea centurilor, întindeți-le pe sol, poziționați dispozitivul împreună cu care se dorește utilizarea centurilor deasupra acestora, așezați pacientul conform instrucțiunilor dispozitivului folosit, apoi reglați-le și închideți-le astfel încât pacientul să fie fixat de dispozitiv.

Verificați dacă operațiunea a fost efectuată corect și dacă pacientul este fixat adecvat de dispozitiv.

#### 11.4 Utilizarea centurilor din două piese

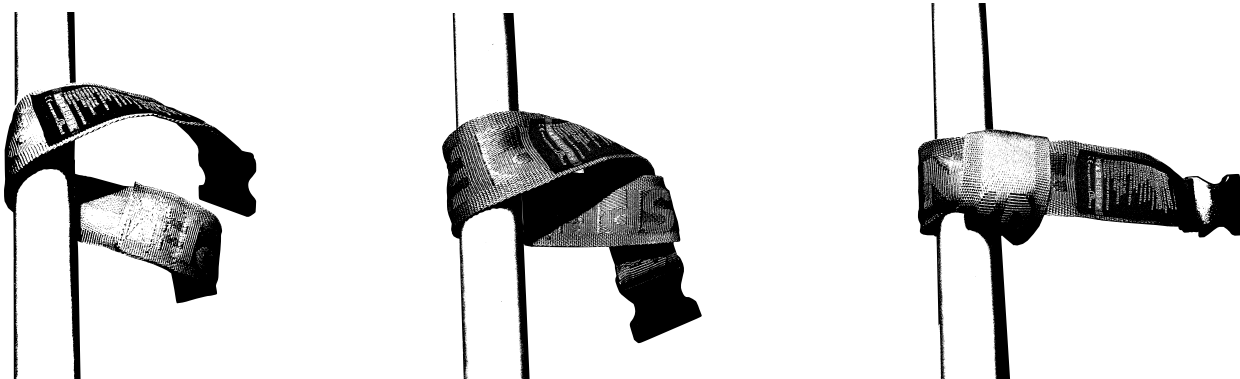
Centurile din două piese sunt indicate pentru utilizarea împreună cu:

- tărgile pentru ambulanță
- brancardele de urgență
- plăcile spinale
- tărgile tip lopată
- saltelele cu vacuum dotate cu cordon perimetral
- tărgile tip coș
- scaunele mobile pentru transportul pacienților
- scaunele pentru urcat/coborât scări

Alegerea tipului de cataramă depinde de specificațiile de utilizare ale dispozitivului folosit.

Pentru a aplica centurile din două piese, identificați punctul de pe dispozitiv în care acestea trebuie aplicate conform instrucțiunilor dispozitivului în sine. Înfășurați porțiunea de cadru vizată, apoi aplicați centura făcând un laț cu aceasta.

Reglați lungimea și închideți-le astfel încât să fixați pacientul pe dispozitiv.



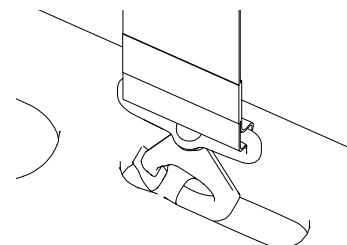
#### 11.5 Utilizarea centurilor cu carabină

Centurile cu carabină sunt indicate pentru utilizarea împreună cu:

- plăcile spinale dotate cu știfturi
- saltelele cu vacuum dotate cu fante dedicate aplicării acestora.

Pentru aplicare, identificați știfturile sau fanta de fixare a carabinei, apoi apăsați partea mobilă a carabinei spre știft sau fantă introducându-le în carabină.

După ce ați verificat aplicarea corectă a centurii, reglați lungimea și închideți-le astfel încât să fixați pacientul pe dispozitiv.

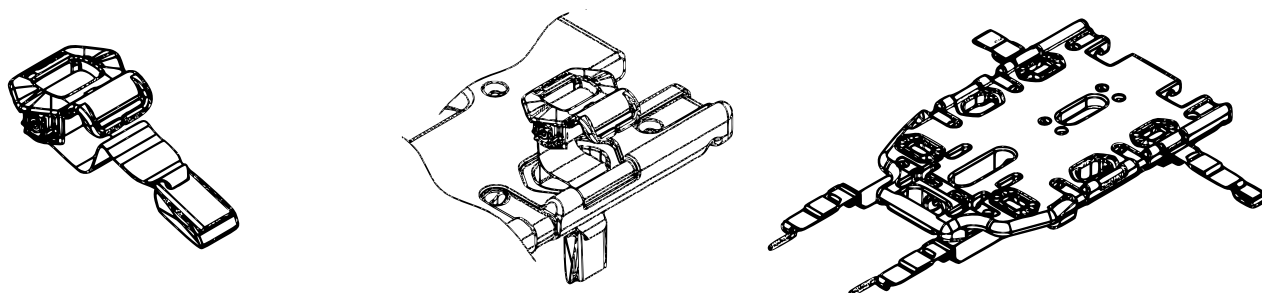


#### 11.6 Instalarea DNA strap

Centurile DNA strap sunt indicate pentru utilizarea împreună cu tărgile dotate cu placă pentru pacient cu locașuri dedicate.

Pentru aplicarea acestora, procedați după cum urmează:

- 1 – Eliberați banda din locașul prezent în dispozitivul de înfășurat.
- 2 – Introduceți sistemul DNA, menținând banda sub tensiune, în cavitatea prezentă în carcasa platformei. Banda mamă și cea tată trebuie să se afle la stânga și la dreapta platformei.
- 3 – Reintroduceți centurile în fanta dispozitivului de înfășurat DNA finalizând instalarea
- 4 – Procedați la fel pentru sistemele toracice





După poziționarea pacientului, fixați centurile și verificați aplicarea corectă a acestora.

Centurile DNA strap nu sunt dotate cu dispozitiv de pretensionare. Prin urmare, trebuie reglate manual după fixare, tensionând curelele prin aducerea dispozitivului de înfășurat la sfârșit de cursă.

Reglarea incorectă face ca dispozitivul să fie ineficient și lipsit de siguranță.

## 12. CURĂȚAREA ȘI ÎNTREȚINEREA

**Spencer Italia S.r.l. își declină orice răspundere pentru orice fel de daune, directe sau indirecte, ca urmare a utilizării necorespunzătoare a produselor și pieselor de schimb și/sau a oricărei intervenții de reparație efectuată de altcineva decât producătorul care apelează la tehnicieni interni și externi specializați și autorizați în acest sens; de asemenea, garanția este anulată.**

- În timpul tuturor operațiunilor de control, întreținere și igienizare, operatorul trebuie să folosească echipamente individuale de protecție precum mănuși, ochelari, etc.
- Stabiliți un program de întreținere, verificări periodice și pentru prelungirea duratei de viață medii, dacă este prevăzut de producător în manualul de utilizare, identificând un responsabil de referință care îndeplinește cerințele de bază definite în manualul de utilizare.
- **Frecvența verificărilor este stabilită de factori precum prevederile legislative, tipul de utilizare, frecvența utilizării, condițiile de mediu în timpul utilizării și depozitării.**
- Repararea produselor fabricate de Spencer Italia S.r.l. trebuie efectuată în mod obligatoriu de producător care apelează la tehnicieni interni sau externi specializați ce utilizează piese de schimb originale și oferă un serviciu de reparație de calitate în conformitate cu specificațiile tehnice indicate de producător. Spencer Italia S.r.l. își declină orice răspundere pentru orice tip de daune, directe sau indirecte, ca urmare a utilizării necorespunzătoare a pieselor de schimb și/sau a oricărei intervenții de reparație efectuate de entități neautorizate.
- Recondiționarea, proces efectuat pe dispozitiv pentru restabilirea nivelului de siguranță tehnică și funcțională al dispozitivului uzat, de exemplu reînmatriculare, trebuie efectuată de producător.
- Toate activitățile de întreținere și revizie trebuie înregistrate și documentate folosind rapoartele de intervenție tehnică; documentația va fi păstrată timp de cel puțin 10 ani de la încheierea duratei de viață a produsului și pusă la dispoziția autorităților competente și/sau producătorului la cerere.
- Curățarea prevăzută pentru produsele reutilizabile trebuie efectuată conform indicațiilor furnizate de producător în manualul de utilizare pentru a evita riscul de infecții încrucișate datorate prezenței de secreții și/sau reziduuri.

### 12.1 CURĂȚAREA

Neefectuarea operațiunilor de curățare poate cauza riscul de infecții încrucișate datorate prezenței de secreții și/sau reziduuri.

În timpul tuturor operațiunilor de control și igienizare, operatorul trebuie să folosească echipamente individuale de protecție precum mănuși, ochelari, etc.

Părțile metalice expuse la agenții externi sunt supuse tratamentelor speciale și/sau vopsirii pentru a obține o mai bună rezistență. Spălați părțile expuse cu apă caldă și detergent neutru; **nu folosiți niciodată solvenți sau agenți pentru îndepărtarea petelor.**

Clătiți din abundență cu apă caldă și verificați dacă ați eliminat orice urmă de detergent care ar putea deteriora sau afecta integritatea și durata de viață a produsului. **Evitați utilizarea apei cu presiune ridicată** deoarece aceasta pătrunde în îmbinări creând riscul de coroziune a componentelor. Lăsați să se usuce perfect înainte de a-l utiliza. Uscarea după spălare sau după utilizarea într-un mediu umed trebuie să fie naturală și nu forțată; nu folosiți flăcări sau alte surse de căldură directă.

În cazul **dezinfecției**, utilizați produse care, pe lângă clasificarea ca produse medico-chirurgicale, nu au acțiune de solvent sau corozivă pe materialele care alcătuiesc dispozitivul. Asigurați-vă că ați luat toate măsurile adecvate pentru a garanta eliminarea riscurilor de infecții încrucișate sau contaminare a pacienților și operatorilor.

În cazul produselor de unică folosință nu este prevăzută curățarea, cu condiția ca produsul să fie depozitat corect și ambalat conform specificațiilor producătorului.

### 12.2 ÎNTREȚINEREA OBIȘNUITĂ

Este necesară stabilirea unui program de verificări periodice prin desemnarea unui responsabil de referință. Persoana desemnată să efectueze operațiunile de întreținere a dispozitivului trebuie să garanteze respectarea cerințelor de bază prevăzute în prezentul manual. Toate activitățile de întreținere trebuie înregistrate și documentate în rapoartele de intervenție tehnică. Această documentație trebuie păstrată cel puțin 10 ani după încheierea duratei de viață a dispozitivului și trebuie pusă la dispoziția autorităților competente și/sau producătorului, dacă se solicită acest lucru.

În timpul tuturor operațiunilor de control, întreținere și igienizare, operatorul trebuie să folosească echipamente individuale de protecție precum mănuși, ochelari, etc.

Dispozitivul nu necesită un program de întreținere obișnuită, însă trebuie efectuate controale înainte și după fiecare utilizare pentru a verifica:

- Funcționarea generală a dispozitivului
- Starea de curățare a dispozitivului (vă reamintim că neefectuarea operațiunilor de curățare poate cauza riscul de infecții încrucișate)
- Îndeplinirea cerințelor prevăzute de manualul de utilizare la secțiunea 5 Avertismente și 6 Avertismente specifice
- Îndeplinirea cerințelor prevăzute de manual la secțiunea 11 Modalități de utilizare

Utilizați doar componente/piese de schimb și/sau accesorii originale sau aprobate de Spencer Italia S.r.l. și efectuați fiecare operațiune fără a cauza modificări ale dispozitivului; în caz contrar, compania își declină orice răspundere privind funcționarea incorectă sau eventualele daune aduse dispozitivului, pacientului sau operatorului, fapt care anulează garanția și conformitatea cu Regulamentul UE 2017/745.

### 12.3 REVIZIA PERIODICĂ

Nu este prevăzută revizia periodică a dispozitivului.

### 12.4 ÎNTREȚINEREA SPECIALĂ

Nu este prevăzută întreținerea extraordinară pentru aceste dispozitive.

### 12.5 DURATA DE VIAȚĂ

**Dispozitivul are o durată de viață de 2 ani de la data achiziție dacă este utilizat conform următoarelor instrucțiuni.**

Spencer Italia S.r.l. își declină orice răspundere privind funcționarea incorectă sau eventualele daune provocate de utilizarea dispozitivelor care au depășit durata de viață maxim admisă.

## 13. TABEL DE GESTIONARE A DEFECTIUNILOR

PROBLEMĂ	CAUZĂ	SOLUȚIE
Nu se poate cupla catarama din plastic	Catarama nu a fost introdusă corect	Introduceți catarama astfel încât partea tată și partea mamă să fie aliniate corect, fără ca una dintre acestea să fie inversată
Nu se poate cupla catarama metalică		
<b>Catarama metalică nu se cuplează</b>	<b>Componente interne deteriorate</b>	Scoateți imediat din uz dispozitivul și înlocuiți-l cu unul similar
Dispozitivul de înfășurat al centurilor DNA nu funcționează	Arcul interior este rupt sau defect	Scoateți imediat din uz dispozitivul și înlocuiți-l cu unul similar

**Dacă problema sau defecțiunea apărută nu corespunde cu cele susmenționate, contactați serviciul de asistență Spencer Italia srl.**

## 14. ACCESORII

Nu există accesorii pentru aceste dispozitive

## 15. PIESE DE SCHIMB

Nu există piese de schimb pentru aceste dispozitive

## 16. ELIMINAREA

După ce devin inutilizabile, dispozitivele și accesorii acestora, dacă nu au fost contaminate de agenți speciali, pot fi eliminate ca deșeuri menajere normale solide; în caz contrar, respectați normele în vigoare privind eliminarea deșeurilor.





